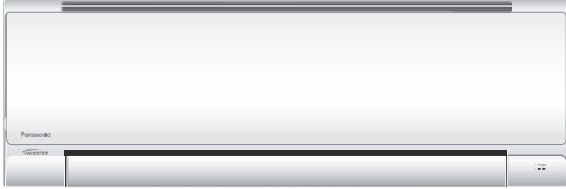


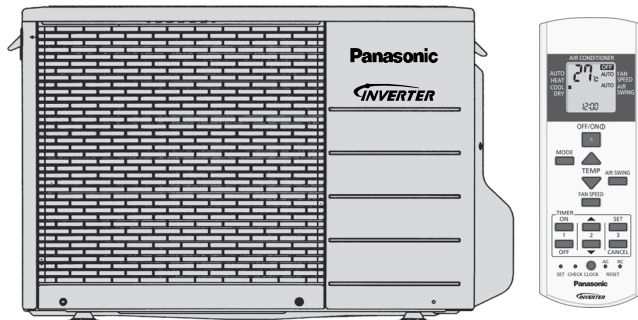
# Service Manual

## Air Conditioner

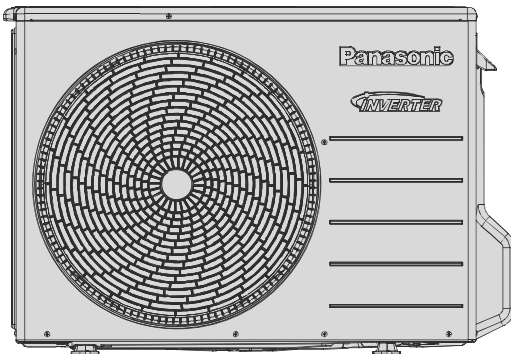


**Indoor Unit**  
**CS-RE9QKE**  
**CS-RE12QKE**  
**CS-RE15QKE**

**Outdoor Unit**  
**CU-RE9QKE**  
**CU-RE12QKE**  
**CU-RE15QKE**




**Destination**  
**Europe**



### **WARNING**

This service information is designed for experienced repair technicians only and is not designed for use by the general public. It does not contain warnings or cautions to advise non-technical individuals of potential dangers in attempting to service a product. Products powered by electricity should be serviced or repaired only by experienced professional technicians. Any attempt to service or repair the products dealt with in this service information by anyone else could result in serious injury or death.

### **IMPORTANT SAFETY NOTICE**

There are special components used in this equipment which are important for safety. These parts are marked by  in the Schematic Diagrams, Circuit Board Diagrams, Exploded Views and Replacement Parts List. It is essential that these critical parts should be replaced with manufacturer's specified parts to prevent shock, fire or other hazards. Do not modify the original design without permission of manufacturer.

### **PRECAUTION OF LOW TEMPERATURE**



In order to avoid frostbite, be assured of no refrigerant leakage during the installation or repairing of refrigerant circuit.

# TABLE OF CONTENTS


<b>1. Safety Precautions .....</b>	<b>3</b>	15.2 Relationship Between The Condition Of The Air Conditioner And Pressure And Electric Current.....	50
<b>2. Specifications .....</b>	<b>5</b>	15.3 Breakdown Self Diagnosis Function.....	51
<b>3. Features.....</b>	<b>11</b>	15.4 Error Codes Table .....	52
<b>4. Location of Controls and Components.....</b>	<b>12</b>	15.5 Self-diagnosis Method.....	54
4.1 Indoor Unit.....	12	<b>16. Disassembly and Assembly Instructions .....</b>	<b>81</b>
4.2 Outdoor Unit .....	12	16.1 Indoor Electronic Controllers, Cross Flow Fan and Indoor Fan Motor Removal Procedures .....	81
4.3 Remote Control .....	12	16.2 Outdoor Electronic Controller Removal Procedure .....	85
<b>5. Dimensions .....</b>	<b>13</b>	<b>17. Technical Data .....</b>	<b>87</b>
5.1 Indoor Unit & Remote Control .....	13	17.1 Cool Mode Performance Data .....	87
5.2 Outdoor Unit .....	14	17.2 Heat Mode Performance Data.....	88
<b>6. Refrigeration Cycle Diagram .....</b>	<b>16</b>	<b>18. Service Data .....</b>	<b>89</b>
<b>7. Block Diagram .....</b>	<b>17</b>	18.1 Cool Mode Outdoor Air Temperature Characteristic.....	89
7.1 CS-RE9QKE CU-RE9QKE.....	17	18.2 Heat Mode Outdoor Air Temperature Characteristic.....	92
7.2 CS-RE12QKE CU-RE12QKE CS-RE15QKE CU-RE15QKE.....	18	18.3 Piping Length Correction Factor.....	95
<b>8. Wiring Connection Diagram .....</b>	<b>19</b>	<b>19. Exploded View and Replacement Parts List. 96</b>	
8.1 Indoor Unit.....	19	19.1 Indoor Unit.....	96
8.2 Outdoor Unit .....	20	19.2 Outdoor Unit .....	99
<b>9. Electronic Circuit Diagram .....</b>	<b>22</b>		
9.1 Indoor Unit.....	22		
9.2 Outdoor Unit .....	23		
<b>10. Printed Circuit Board .....</b>	<b>25</b>		
10.1 Indoor Unit.....	25		
10.2 Outdoor Unit .....	27		
<b>11. Installation Instruction.....</b>	<b>29</b>		
11.1 Select the Best Location.....	29		
11.2 Indoor Unit.....	30		
11.3 Outdoor Unit .....	35		
<b>12. Operation Control.....</b>	<b>38</b>		
12.1 Basic Function .....	38		
12.2 Indoor Fan Motor Operation .....	39		
12.3 Outdoor Fan Motor Operation .....	40		
12.4 Airflow Direction.....	41		
12.5 ON Timer Control .....	41		
12.6 OFF Timer Control.....	42		
12.7 Auto Restart Control .....	42		
12.8 Indication Panel.....	42		
<b>13. Protection Control.....</b>	<b>43</b>		
13.1 Protection Control For All Operations.....	43		
13.2 Protection Control For Cooling & Soft Dry Operation.....	45		
13.3 Protection Control For Heating Operation..	46		
<b>14. Servicing Mode .....</b>	<b>47</b>		
14.1 Auto OFF/ON Button .....	47		
14.2 Remote Control Button.....	48		
<b>15. Troubleshooting Guide .....</b>	<b>49</b>		
15.1 Refrigeration Cycle System.....	49		

# 1. Safety Precautions







- Read the following “SAFETY PRECAUTIONS” carefully before perform any servicing.
- Electrical work must be installed or serviced by a licensed electrician. Be sure to use the correct rating of the power plug and main circuit for the model installed.
- The caution items stated here must be followed because these important contents are related to safety. The meaning of each indication used is as below. Incorrect installation or servicing due to ignoring of the instruction will cause harm or damage, and the seriousness is classified by the following indications.

 <b>WARNING</b>	This indication shows the possibility of causing death or serious injury.
 <b>CAUTION</b>	This indication shows the possibility of causing injury or damage to properties.


- The items to be followed are classified by the symbols:

	This symbol denotes item that is PROHIBITED from doing.
---	---







- Carry out test run to confirm that no abnormality occurs after the servicing. Then, explain to user the operation, care and maintenance as stated in instructions. Please remind the customer to keep the operating instructions for future reference.

 <b>WARNING</b>	
1.	Do not modify the machine, part, material during repairing service.
2.	If wiring unit is supplied as repairing part, do not repair or connect the wire even only partial wire break. Exchange the whole wiring unit.
3.	Do not wrench the fasten terminal. Pull it out or insert it straightly.
4.	Engage dealer or specialist for installation and servicing. If installation of servicing done by the user is defective, it will cause water leakage, electrical shock or fire.
5.	Install according to this installation instructions strictly. If installation is defective, it will cause water leakage, electric shock or fire.
6.	Use the attached accessories parts and specified parts for installation and servicing. Otherwise, it will cause the set to fall, water leakage, fire or electrical shock.
7.	Install at a strong and firm location which is able to withstand the set's weight. If the strength is not enough or installation is not properly done, the set will drop and cause injury.
8.	For electrical work, follow the local national wiring standard, regulation and the installation instruction. An independent circuit and single outlet must be used. If electrical circuit capacity is not enough or defect found in electrical work, it will cause electrical shock or fire.
9.	This equipment is strongly recommended to install with Earth Leakage Circuit Breaker (ELCB) or Residual Current Device (RCD). Otherwise, it may cause electrical shock and fire in case equipment breakdown or insulation breakdown.
10.	Do not use joint cable for indoor / outdoor connection cable. Use the specified Indoor/Outdoor connection cable, refer to installation instruction <b>CONNECT THE CABLE TO THE INDOOR UNIT</b> and connect tightly for indoor / outdoor connection. Clamp the cable so that no external force will be acted on the terminal. If connecting or fixing is not perfect, it will cause heat up or fire at the connection.
11.	Wire routing must be properly arranged so that control board cover is fixed properly. If control board cover is not fixed perfectly, it will cause heat-up or fire at the connection point of terminal, fire or electrical shock.
12.	When install or relocate air conditioner, do not let any substance other than the specified refrigerant, eg. air etc. mix into refrigeration cycle (piping). (Mixing of air etc. will cause abnormal high pressure in refrigeration cycle and result in explosion, injury etc.)
13.	Do not install outdoor unit near handrail of veranda. When installing air-conditioner unit at veranda of high rise building, child may climb up to outdoor unit and cross over the handrail and causing accident.
14.	This equipment must be properly earthed. Earth line must not be connected to gas pipe, water pipe, earth of lightning rod and telephone. Otherwise, it may cause electric shock in case equipment breakdown or insulation breakdown. 
15.	Keep away from small children, the thin film may cling to nose and mouth and prevent breathing. 
16.	Do not use unspecified cord, modified cord, joint cord or extension cord for power supply cord. Do not share the single outlet with other electrical appliances. Poor contact, poor insulation or over current will cause electrical shock or fire. 
17.	Tighten the flare nut with torque wrench according to specified method. If the flare nut is over-tightened, after a long period, the flare may break and cause refrigerant gas leakage. 
18.	<ul style="list-style-type: none"> <li>• For R410A model, use piping, flare nut and tools which is specified for R410A refrigerant. Using of existing (R22) piping, flare nut and tools may cause abnormally high pressure in the refrigerant cycle (piping), and possibly result in explosion and injury.</li> <li>• Thickness of copper pipes used with R410A must be more than 0.8 mm. Never use copper pipes thinner than 0.8 mm.</li> <li>• It is desirable that the amount of residual oil less than 40 mg/10 m.</li> </ul> 
19.	During installation, install the refrigerant piping properly before run the compressor. (Operation of compressor without fixing refrigeration piping and valves at opened condition will caused suck-in of air, abnormal high pressure in refrigeration cycle and result in explosion, injury etc).

 **WARNING**

- |     |   |   |
|-----|---|---|
| 20. | During pump down operation, stop the compressor before remove the refrigeration piping. (Removal of compressor while compressor is operating and valves are opened will cause suck-in of air, abnormal high pressure in refrigeration cycle and result in explosion, injury etc.) |   |
| 21. | After completion of installation or service, confirm there is no leakage or refrigerant gas. It may generate toxic gas when the refrigerant contacts with fire.   |   |
| 22. | Ventilate if there is refrigerant gas leakage during operation. It may cause toxic gas when refrigerant contacts with fire.   |   |
| 23. | Do not insert your fingers or other objects into the unit, high speed rotating fan may cause injury.  |  |
| 24. | Must not use other parts except original parts described in catalog and manual.   |   |
| 25. | Using of refrigerant other than the specified type may cause product damage, burst and injury etc.  |   |

 **CAUTION**

- |     |   |   |
|-----|---|---|
| 1.  | Do not install the unit at place where leakage of flammable gas may occur. In case gas leaks and accumulates at surrounding of the unit, it may cause fire.   |    |
| 2.  | Carry out drainage piping as mentioned in installation instructions. If drainage is not perfect, water may enter the room and damage the furniture.   |   |
| 3.  | Tighten the flare nut with torque wrench according to specified method. If the flare nut is over-tightened, after a long period, the flare may break and cause refrigerant gas leakage.   |   |
| 4.  | Do not touch outdoor unit air inlet and aluminium fin. It may cause injury.   |    |
| 5.  | Select an installation location which is easy for maintenance.  |   |
| 6.  | Pb free solder has a higher melting point than standard solder; typically the melting point is 50°F – 70°F (30°C – 40°C) higher. Please use a high temperature solder iron. In case of the soldering iron with temperature control, please set it to 700 ± 20°F (370 ± 10°C). Pb free solder will tend to splash when heated too high (about 1100°F / 600°C).   |   |
|     | Power supply connection to the room air conditioner.<br>Use power supply cord 3 × 1.5 mm <sup>2</sup> (1.0 ~ 1.75HP), 3 × 2.5 mm <sup>2</sup> (2.0 ~ 2.5HP) type designation 60245 IEC 57 or heavier cord.<br>Connect the power supply cord of the air conditioner to the mains using one of the following method.<br>Power supply point should be in easily accessible place for power disconnection in case of emergency.<br>In some countries, permanent connection of this air conditioner to the power supply is prohibited. |   |
| 7.  | 1) Power supply connection to the receptacle using power plug.<br>Use an approved 15/16A (1.0 ~ 1.75HP), 16A (2.0HP), 20A (2.5HP) power plug with earth pin for the connection to the socket.<br>2) Power supply connection to a circuit breaker for the permanent connection.<br>Use an approved 16A (1.0 ~ 2.0HP), 20A (2.5HP) circuit breaker for the permanent connection. It must be a double pole switch with a minimum 3.0 mm contact gap.   |   |
| 8.  | Do not release refrigerant during piping work for installation, servicing, reinstallation and during repairing a refrigerant parts. Take care of the liquid refrigerant, it may cause frostbite.  |  |
| 9.  | Installation or servicing work: It may need two people to carry out the installation or servicing work.   |   |
| 10. | Do not install this appliance in a laundry room or other location where water may drip from the ceiling, etc.   |  |
| 11. | Do not sit or step on the unit, you may fall down accidentally.   |  |
| 12. | Do not touch the sharp aluminium fins or edges of metal parts.<br>If you are required to handle sharp parts during installation or servicing, please wear hand glove.<br>Sharp parts may cause injury.  |  |

## 2. Specifications

Model		Indoor	CS-RE9QKE			CS-RE12QKE				
		Outdoor	CU-RE9QKE			CU-RE12QKE				
Performance Test Condition			EUROVENT			EUROVENT				
Power Supply		Phase, Hz	Single, 50			Single, 50				
		V	230			230				
			Min.	Mid.	Max.	Min.	Mid.	Max.		
Cooling	Capacity		kW	0.85	2.50	3.00	0.85	3.50	3.90	
			BTU/h	2900	8530	10200	2900	11900	13300	
			kcal/h	730	2150	2580	730	3010	3350	
	Running Current		A	–	2.95	–	–	4.40	–	
	Input Power		W	250	670	950	255	1.00k	1.19k	
	Annual Consumption		kWh	–	335	–	–	500	–	
	EER		W/W	3.40	3.73	3.16	3.33	3.50	3.28	
			BTU/hW	11.60	12.73	10.74	11.37	11.90	11.18	
			kcal/hW	2.92	3.21	2.72	2.86	3.01	2.82	
	ErP	Pdesign	kW	2.5			3.5			
		SEER	(W/W)	6.1			6.1			
		Annual Consumption	kWh	143			201			
		Class		A++			A++			
	Power Factor		%	–	99	–	–	99	–	
	Indoor Noise		dB-A (H/L/Q-Lo)	41 / 26 / 22			42 / 30 / 22			
			Power Level dB	57			58			
	Outdoor Noise		dB-A	47			48			
			Power Level dB	62			63			
	Heating	Capacity		kW	0.80	3.30	4.10	0.80	4.00	5.10
				BTU/h	2730	11300	14000	2730	13600	17400
kcal/h				690	2840	3530	690	3440	4390	
Running Current		A	–	3.55	–	–	4.60	–		
Input Power		W	195	800	1.13k	200	1.05k	1.42k		
COP		W/W	4.10	4.13	3.63	4.00	3.81	3.59		
		BTU/hW	14.00	14.13	12.39	13.65	12.95	12.25		
		kcal/hW	3.54	3.55	3.12	3.45	3.28	3.09		
ErP		Pdesign	kW	2.4			2.8			
		Tbivalent	°C	-10			-10			
		SCOP	(W/W)	4.0			4.0			
		Annual Consumption	kWh	840			980			
		Class		A+			A+			
Power Factor		%	–	98	–	–	99	–		
Indoor Noise		dB-A (H/L/Q-Lo)	41 / 27 / 25			42 / 33 / 25				
		Power Level dB	57			58				
Outdoor Noise		dB-A	48			50				
		Power Level dB	63			65				
Low Temp. : Capacity (kW) / I.Power (W) / COP			2.97 / 1.00k / 2.97			3.70 / 1.26k / 2.94				
Extr Low Temp. : Capacity (kW) / I.Power (W) / COP			2.70 / 1.08k / 2.50			3.30 / 1.38k / 2.39				
Max Current (A) / Max Input Power (W)			5.0 / 1.13k			6.2 / 1.42k				
Starting Current (A)			3.55			4.6				

Model			Indoor	CS-RE9QKE	CS-RE12QKE	
			Outdoor	CU-RE9QKE	CU-RE12QKE	
Compressor	Type			Hermetic Motor	Hermetic Motor	
	Motor Type			Brushless (6-poles)	Brushless (6-poles)	
	Output Power		W	650	700	
Indoor Fan	Type			Cross-Flow Fan	Cross-Flow Fan	
	Material			ASG20K1	ASG20K1	
	Motor Type			DC / Transistor (8 poles)	DC / Transistor (8 poles)	
	Input Power		W	47.3	47.3	
	Output Power		W	40	40	
	Speed	QLo	Cool	rpm	600	630
			Heat	rpm	710	780
		Lo	Cool	rpm	680	800
			Heat	rpm	760	980
		Me	Cool	rpm	890	1010
			Heat	rpm	980	1140
Hi		Cool	rpm	1110	1220	
		Heat	rpm	1200	1300	
Outdoor Fan	Type			Propeller Fan	Propeller Fan	
	Material			PP	PP	
	Motor Type			AC / Induction (6 poles)	AC / Induction (6 poles)	
	Input Power		W	-	-	
	Output Power		W	40	40	
	Speed	Hi	Cool	rpm	770	900
			Heat	rpm	750	910
Moisture Removal			L/h (Pt/h)	1.5 (3.2)	2.0 (4.2)	
Indoor Airflow	QLo	Cool	m <sup>3</sup> /min (ft <sup>3</sup> /min)	5.74 (203)	5.69 (201)	
		Heat	m <sup>3</sup> /min (ft <sup>3</sup> /min)	7.03 (248)	6.79 (240)	
	Lo	Cool	m <sup>3</sup> /min (ft <sup>3</sup> /min)	6.68 (236)	7.59 (268)	
		Heat	m <sup>3</sup> /min (ft <sup>3</sup> /min)	7.62 (269)	8.85 (312)	
	Me	Cool	m <sup>3</sup> /min (ft <sup>3</sup> /min)	9.22 (326)	9.94 (351)	
		Heat	m <sup>3</sup> /min (ft <sup>3</sup> /min)	10.22 (361)	10.50 (371)	
	Hi	Cool	m <sup>3</sup> /min (ft <sup>3</sup> /min)	11.7 (415)	12.3 (435)	
		Heat	m <sup>3</sup> /min (ft <sup>3</sup> /min)	12.8 (450)	12.8 (450)	
Outdoor Airflow	Hi	Cool	m <sup>3</sup> /min (ft <sup>3</sup> /min)	29.8 (1050)	33.3 (1175)	
		Heat	m <sup>3</sup> /min (ft <sup>3</sup> /min)	29.0 (1025)	33.3 (1175)	
Refrigeration Cycle	Control Device			Expansion Valve	Expansion Valve	
	Refrigerant Oil		cm <sup>3</sup>	FV50S (320)	FV50S (320)	
	Refrigerant Type		g (oz)	R410A, 970 (34.2)	R410A, 1.02k (36.0)	
Dimension	Height (I/D / O/D)		mm (inch)	290 (11-7/16) / 542 (21-11/32)	290 (11-7/16) / 619 (24-3/8)	
	Width (I/D / O/D)		mm (inch)	870 (34-9/32) / 780 (30-23/32)	870 (34-9/32) / 824 (32-15/32)	
	Depth (I/D / O/D)		mm (inch)	214 (8-7/16) / 289 (11-13/32)	214 (8-7/16) / 299 (11-25/32)	
Weight	Net (I/D / O/D)		kg (lb)	9 (20) / 33 (73)	9 (20) / 34 (75)	

Model		Indoor	CS-RE9QKE		CS-RE12QKE	
		Outdoor	CU-RE9QKE		CU-RE12QKE	
Piping	Pipe Diameter (Liquid / Gas)	mm (inch)	6.35 (1/4) / 9.52 (3/8)		6.35 (1/4) / 9.52 (3/8)	
	Standard length	m (ft)	5.0 (16.4)		5.0 (16.4)	
	Length range (min – max)	m (ft)	3 (9.8) ~ 15 (49.2)		3 (9.8) ~ 15 (49.2)	
	I/D & O/D Height different	m (ft)	15.0 (49.2)		15.0 (49.2)	
	Additional Gas Amount	g/m (oz/ft)	20 (0.2)		20 (0.2)	
	Length for Additional Gas	m (ft)	7.5 (24.6)		7.5 (24.6)	
Drain Hose	Inner Diameter	mm	16.7		16.7	
	Length	mm	650		650	
Indoor Heat Exchanger	Fin Material		Aluminium (Pre Coat)		Aluminium (Pre Coat)	
	Fin Type		Slit Fin		Slit Fin	
	Row × Stage × FPI		2 × 15 × 17		2 × 15 × 21	
	Size (W × H × L)	mm	610 × 315 × 25.4		610 × 315 × 25.4	
Outdoor Heat Exchanger	Fin Material		Aluminium (Pre Coat)		Aluminium (Pre Coat)	
	Fin Type		Corrugated Fin		Corrugated Fin	
	Row × Stage × FPI		2 × 24 × 17		2 × 28 × 17	
	Size (W × H × L)	mm	36 × 504 × 713:684		36.38 × 588 × 606.6	
Air Filter	Material		Polypropelene		Polypropelene	
	Type		One-touch		One-touch	
Power Supply			Indoor		Indoor	
Power Supply Cord		A	Nil		Nil	
Thermostat			Nil		Nil	
Protection Device			Nil		Nil	
			Dry Bulb	Wet Bulb	Dry Bulb	Wet Bulb
Indoor Operation Range	Cooling	Maximum °C	32	23	32	23
		Minimum °C	16	11	16	11
	Heating	Maximum °C	30	–	30	–
		Minimum °C	16	–	16	–
Outdoor Operation Range	Cooling	Maximum °C	43	26	43	26
		Minimum °C	-10	–	-10	–
	Heating	Maximum °C	24	18	24	18
		Minimum °C	-15	-16	-15	-16

- Cooling capacities are based on indoor temperature of 27°C Dry Bulb (80.6°F Dry Bulb), 19.0°C Wet Bulb (66.2°F Wet Bulb) and outdoor air temperature of 35°C Dry Bulb (95°F Dry Bulb), 24°C Wet Bulb (75.2°F Wet Bulb)
- Heating capacities are based on indoor temperature of 20°C Dry Bulb (68°F Dry Bulb) and outdoor air temperature of 7°C Dry Bulb (44.6°F Dry Bulb), 6°C Wet Bulb (42.8°F Wet Bulb)
- Heating low temperature capacity, Input Power and COP measured at 230 V, indoor temperature of 20°C, outdoor 2/1°C.
- Heating extreme low temperature capacity, Input Power and COP measured at 230 V, indoor temperature of 20°C, outdoor -7/-8°C.
- Standby power consumption ≤ 2.0W (when switched OFF by remote control, except under self-protection control).
- Specifications are subjected to change without prior notice for further improvement.
- Maximum heating capacity shown are the values based on powerful operation.
- If the EUROVENT Certified models can be operated under the “extra-low” temperature condition, -7°C DB and -8°C WB temperature with rated voltage 230V shall be used.
- The annual consumption is calculated by multiplying the input power by an average of 500 hours per year in cooling mode.
- SEER and SCOP classification is at 230V only in accordance with EN-14825. For heating, SCOP indicates the value of only Average heating season. Other fiche data indicates in an attached sheet.

Model		Indoor	CS-RE15QKE				
		Outdoor	CU-RE15QKE				
Performance Test Condition		EUROVENT					
Power Supply		Phase, Hz	Single, 50				
		V	230				
		Min.	Mid.	Max.			
Cooling	Capacity		kW	0.85	4.20	4.60	
			BTU/h	2900	14300	15700	
			kcal/h	730	3610	3960	
	Running Current		A	-	5.60	-	
	Input Power		W	265	1.26k	1.65k	
	Annual Consumption		kWh	-	630	-	
	EER		W/W	3.21	3.33	2.79	
			BTU/hW	10.94	11.35	9.52	
			kcal/hW	2.75	2.87	2.40	
	ErP	Pdesign		kW	4.2		
		SEER		(W/W)	5.6		
		Annual Consumption		kWh	263		
		Class			A+		
	Power Factor		%	-	98	-	
	Indoor Noise		dB-A (H/L/Q-Lo)	44 / 31 / 29			
			Power Level dB	60			
	Outdoor Noise		dB-A	49			
			Power Level dB	64			
	Heating	Capacity		kW	0.80	5.00	6.80
				BTU/h	2730	17100	23200
kcal/h				690	4300	5850	
Running Current		A	-	6.00	-		
Input Power		W	200	1.35k	2.05k		
COP		W/W	4.00	3.70	3.32		
		BTU/hW	13.65	12.67	11.32		
		kcal/hW	3.45	3.19	2.85		
ErP		Pdesign		kW	3.6		
		Tbivalent		°C	-10		
		SCOP		(W/W)	3.8		
		Annual Consumption		kWh	1326		
		Class			A		
Power Factor		%	-	98	-		
Indoor Noise		dB-A (H/L/Q-Lo)	44 / 35 / 28				
		Power Level dB	60				
Outdoor Noise		dB-A	51				
		Power Level dB	66				
Low Temp. : Capacity (kW) / I.Power (W) / COP		4.93 / 1.81k / 2.72					
Extr Low Temp. : Capacity (kW) / I.Power (W) / COP		3.90 / 1.82k / 2.14					
Max Current (A) / Max Input Power (W)		9.2 / 2.05k					
Starting Current (A)		6.00					



Model		Indoor		CS-RE15QKE		
		Outdoor		CU-RE15QKE		
Compressor	Type		Hermetic Motor			
	Motor Type		Brushless (6-poles)			
	Output Power		W	700		
Indoor Fan	Type		Cross-Flow Fan			
	Material		ASG20K1			
	Motor Type		DC / Transistor (8 poles)			
	Input Power		W	47.3		
	Output Power		W	40		
	Speed	QLo	Cool	rpm	760	
			Heat	rpm	870	
		Lo	Cool	rpm	840	
			Heat	rpm	1050	
		Me	Cool	rpm	1050	
			Heat	rpm	1200	
		Hi	Cool	rpm	1270	
			Heat	rpm	1350	
Outdoor Fan	Type		Propeller Fan			
	Material		PP			
	Motor Type		AC / Induction (6 poles)			
	Input Power		W	-		
	Output Power		W	40		
	Speed	Hi	Cool	rpm	900	
			Heat	rpm	910	
Moisture Removal		L/h (Pt/h)	2.4 (5.1)			
Indoor Airflow	QLo	Cool	m <sup>3</sup> /min (ft <sup>3</sup> /min)	6.94 (245)		
		Heat	m <sup>3</sup> /min (ft <sup>3</sup> /min)	8.17 (288)		
	Lo	Cool	m <sup>3</sup> /min (ft <sup>3</sup> /min)	7.81 (276)		
		Heat	m <sup>3</sup> /min (ft <sup>3</sup> /min)	10.03 (354)		
	Me	Cool	m <sup>3</sup> /min (ft <sup>3</sup> /min)	10.16 (359)		
		Heat	m <sup>3</sup> /min (ft <sup>3</sup> /min)	12.07 (426)		
	Hi	Cool	m <sup>3</sup> /min (ft <sup>3</sup> /min)	12.50 (440)		
		Heat	m <sup>3</sup> /min (ft <sup>3</sup> /min)	13.40 (475)		
Outdoor Airflow	Hi	Cool	m <sup>3</sup> /min (ft <sup>3</sup> /min)	33.3 (1175)		
		Heat	m <sup>3</sup> /min (ft <sup>3</sup> /min)	33.3 (1175)		
Refrigeration Cycle	Control Device		Expansion Valve			
	Refrigerant Oil		cm <sup>3</sup>	FV50S (320)		
	Refrigerant Type		g (oz)	R410A, 1.02k (36.0)		
Dimension	Height (I/D / O/D)		mm (inch)	290 (11-7/16) / 619 (24-3/8)		
	Width (I/D / O/D)		mm (inch)	870 (34-9/32) / 824 (32-15/32)		
	Depth (I/D / O/D)		mm (inch)	214 (8-7/16) / 299 (11-25/32)		
Weight	Net (I/D / O/D)		kg (lb)	9 (20) / 34 (75)		

Model		Indoor	CS-RE15QKE	
		Outdoor	CU-RE15QKE	
Piping	Pipe Diameter (Liquid / Gas)	mm (inch)	6.35 (1/4) / 12.70 (1/2)	
	Standard length	m (ft)	5.0 (16.4)	
	Length range (min – max)	m (ft)	3 (9.8) ~ 15 (49.2)	
	I/D & O/D Height different	m (ft)	15.0 (49.2)	
	Additional Gas Amount	g/m (oz/ft)	20 (0.2)	
	Length for Additional Gas	m (ft)	7.5 (24.6)	
Drain Hose	Inner Diameter	mm	16.7	
	Length	mm	650	
Indoor Heat Exchanger	Fin Material		Aluminium (Pre Coat)	
	Fin Type		Slit Fin	
	Row × Stage × FPI		2 × 15 × 21	
	Size (W × H × L)	mm	610 × 315 × 25.4	
Outdoor Heat Exchanger	Fin Material		Aluminium (Pre Coat)	
	Fin Type		Corrugated Fin	
	Row × Stage × FPI		2 × 28 × 17	
	Size (W × H × L)	mm	36.38 × 588 × 606.6	
Air Filter	Material		Polypropelene	
	Type		One-touch	
Power Supply			Indoor	
Power Supply Cord		A	Nil	
Thermostat			Nil	
Protection Device			Nil	
			Dry Bulb	Wet Bulb
Indoor Operation Range	Cooling	Maximum °C	32	23
		Minimum °C	16	11
	Heating	Maximum °C	30	–
		Minimum °C	16	–
Outdoor Operation Range	Cooling	Maximum °C	43	26
		Minimum °C	-10	–
	Heating	Maximum °C	24	18
		Minimum °C	-15	-16

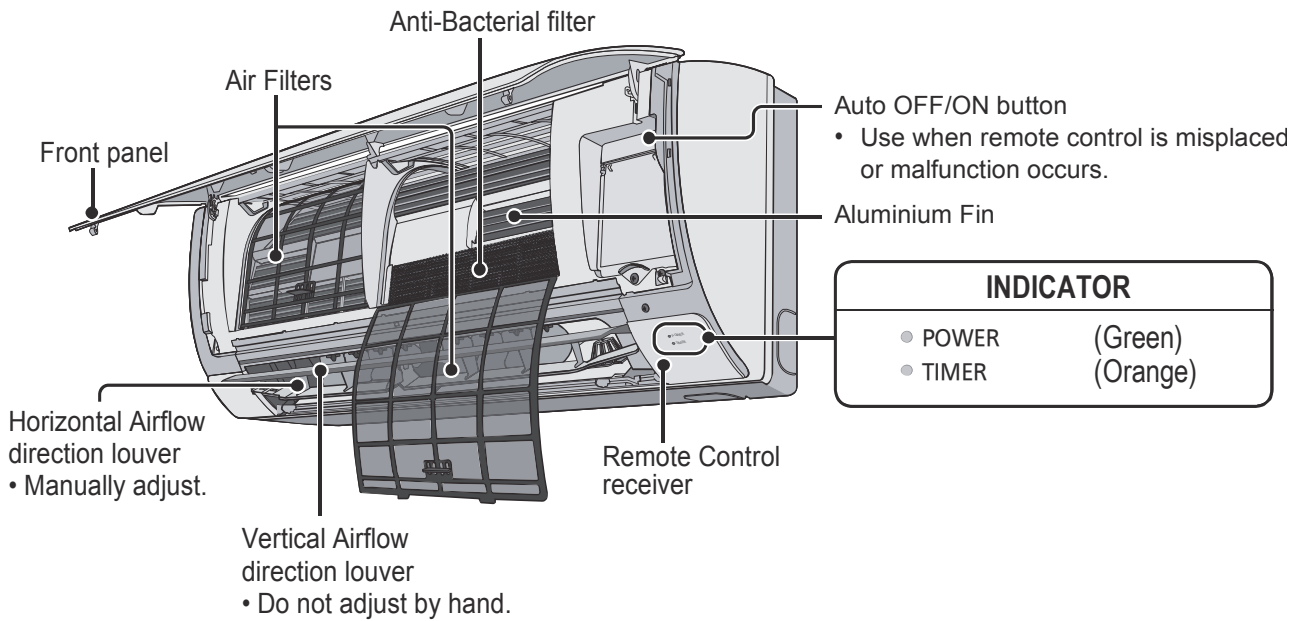
- Cooling capacities are based on indoor temperature of 27°C Dry Bulb (80.6°F Dry Bulb), 19.0°C Wet Bulb (66.2°F Wet Bulb) and outdoor air temperature of 35°C Dry Bulb (95°F Dry Bulb), 24°C Wet Bulb (75.2°F Wet Bulb)
- Heating capacities are based on indoor temperature of 20°C Dry Bulb (68°F Dry Bulb) and outdoor air temperature of 7°C Dry Bulb (44.6°F Dry Bulb), 6°C Wet Bulb (42.8°F Wet Bulb)
- Heating low temperature capacity, Input Power and COP measured at 230 V, indoor temperature of 20°C, outdoor 2/1°C.
- Heating extreme low temperature capacity, Input Power and COP measured at 230 V, indoor temperature of 20°C, outdoor -7/-8°C.
- Standby power consumption ≤ 2.0W (when switched OFF by remote control, except under self-protection control).
- Specifications are subjected to change without prior notice for further improvement.
- Maximum heating capacity shown are the values based on powerful operation.
- If the EUROVENT Certified models can be operated under the "extra-low" temperature condition, -7°C DB and -8°C WB temperature with rated voltage 230V shall be used.
- The annual consumption is calculated by multiplying the input power by an average of 500 hours per year in cooling mode.
- SEER and SCOP classification is at 230V only in accordance with EN-14825. For heating, SCOP indicates the value of only Average heating season. Other fiche data indicates in an attached sheet.

### 3. Features

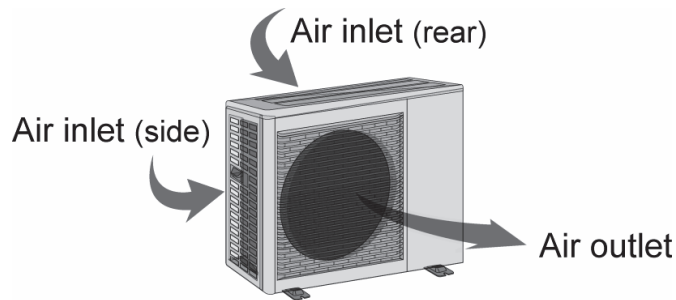
- **Inverter Technology**
  - Wider output power range
  - Energy saving
  - Quick Cooling
  - Quick Heating
  - More precise temperature control
- **Environment Protection**
  - Non-ozone depletion substances refrigerant (R410A)
- **Long Installation Piping**
  - CS/CU-RE9/12/15QKE, long piping up to 15 meters
- **Easy to use remote control**
- **Quality Improvement**
  - Random auto restart after power failure for safety restart operation
  - Gas leakage protection
  - Prevent compressor reverse cycle
  - Inner protector to protect compressor
- **Serviceability Improvement**
  - Breakdown Self Diagnosis function

## 4. Location of Controls and Components

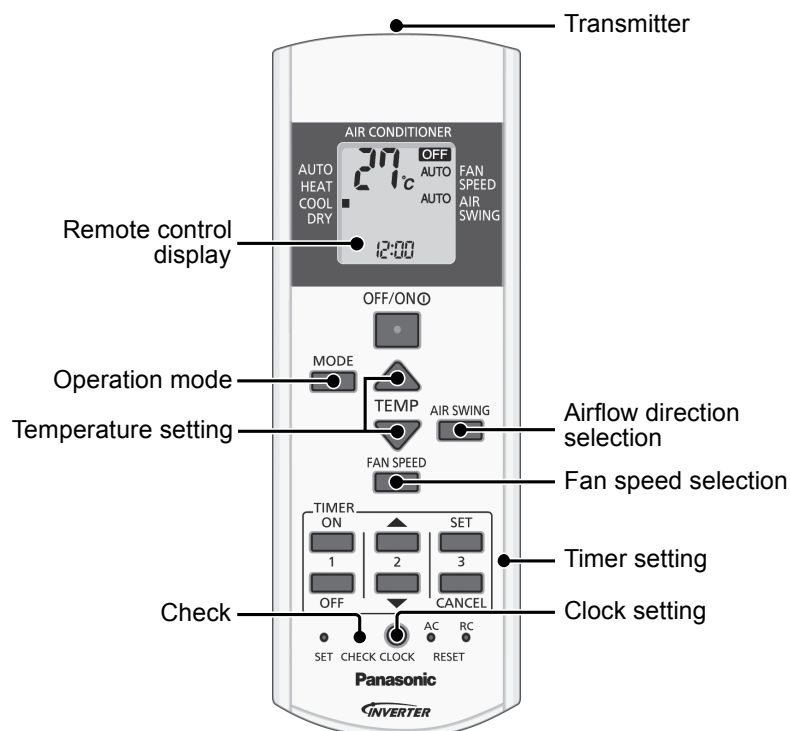
### 4.1 Indoor Unit



### 4.2 Outdoor Unit



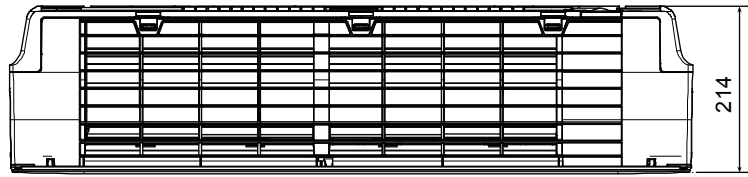
### 4.3 Remote Control



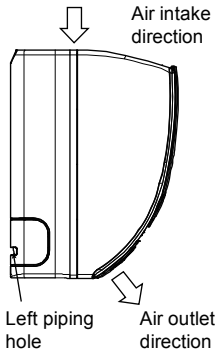
# 5. Dimensions

## 5.1 Indoor Unit & Remote Control

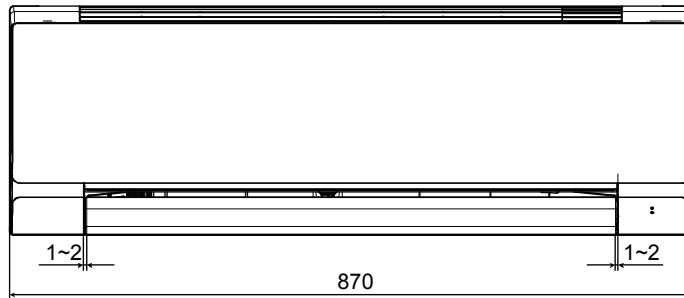
<Top View>



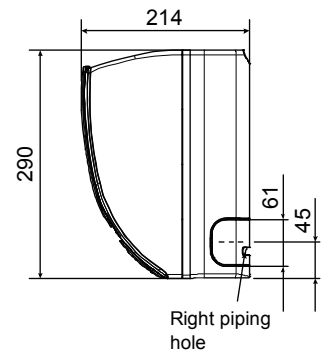
<Side View>



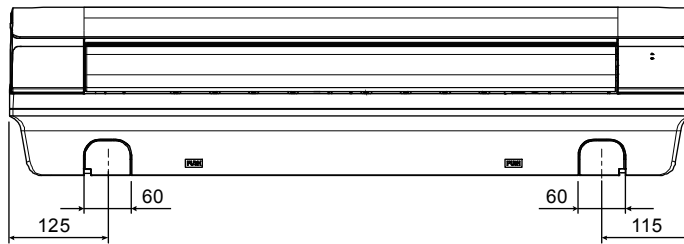
<Front View>



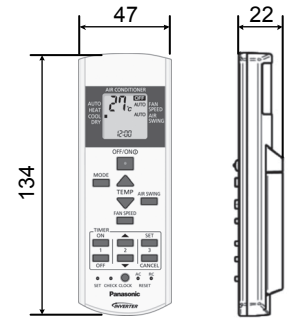
<Side View>



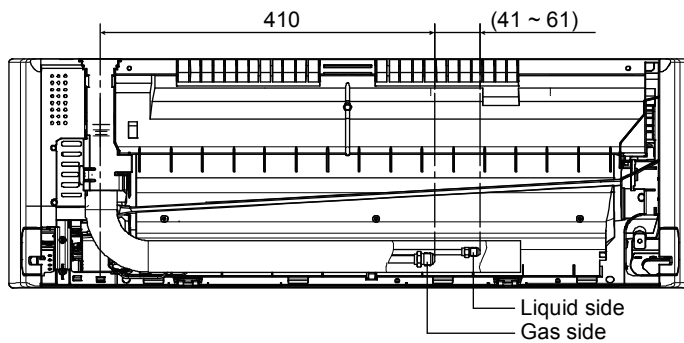
<Bottom View>



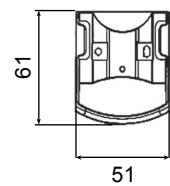
<Remote Control>



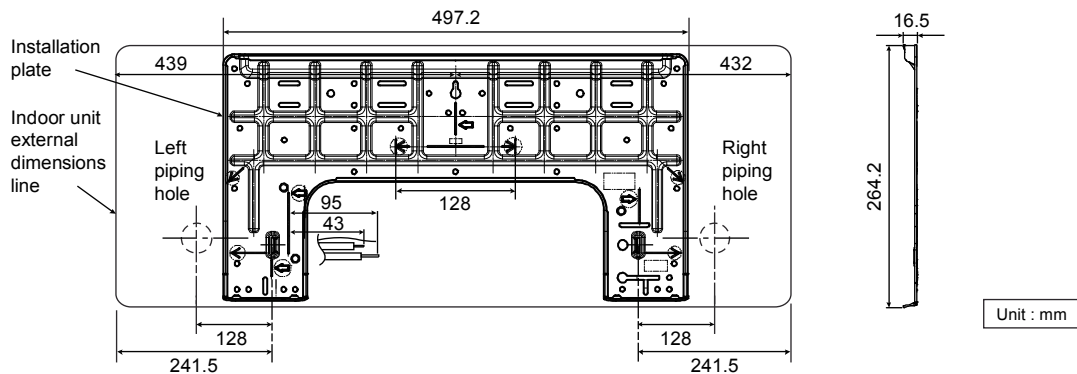
<Rear View>



<Remote Control Holder>

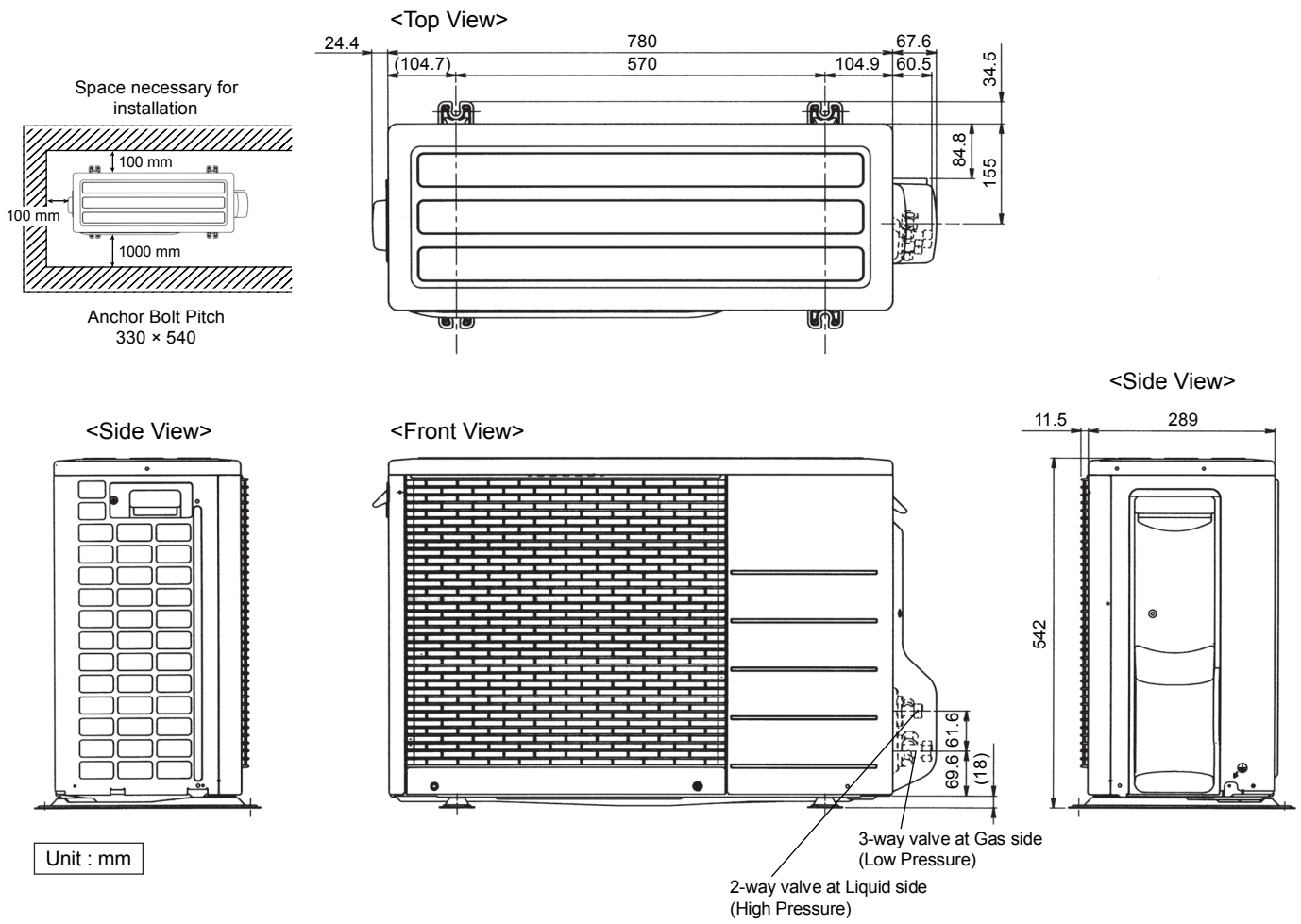


Relative position between the indoor unit and the installation plate <Front View>

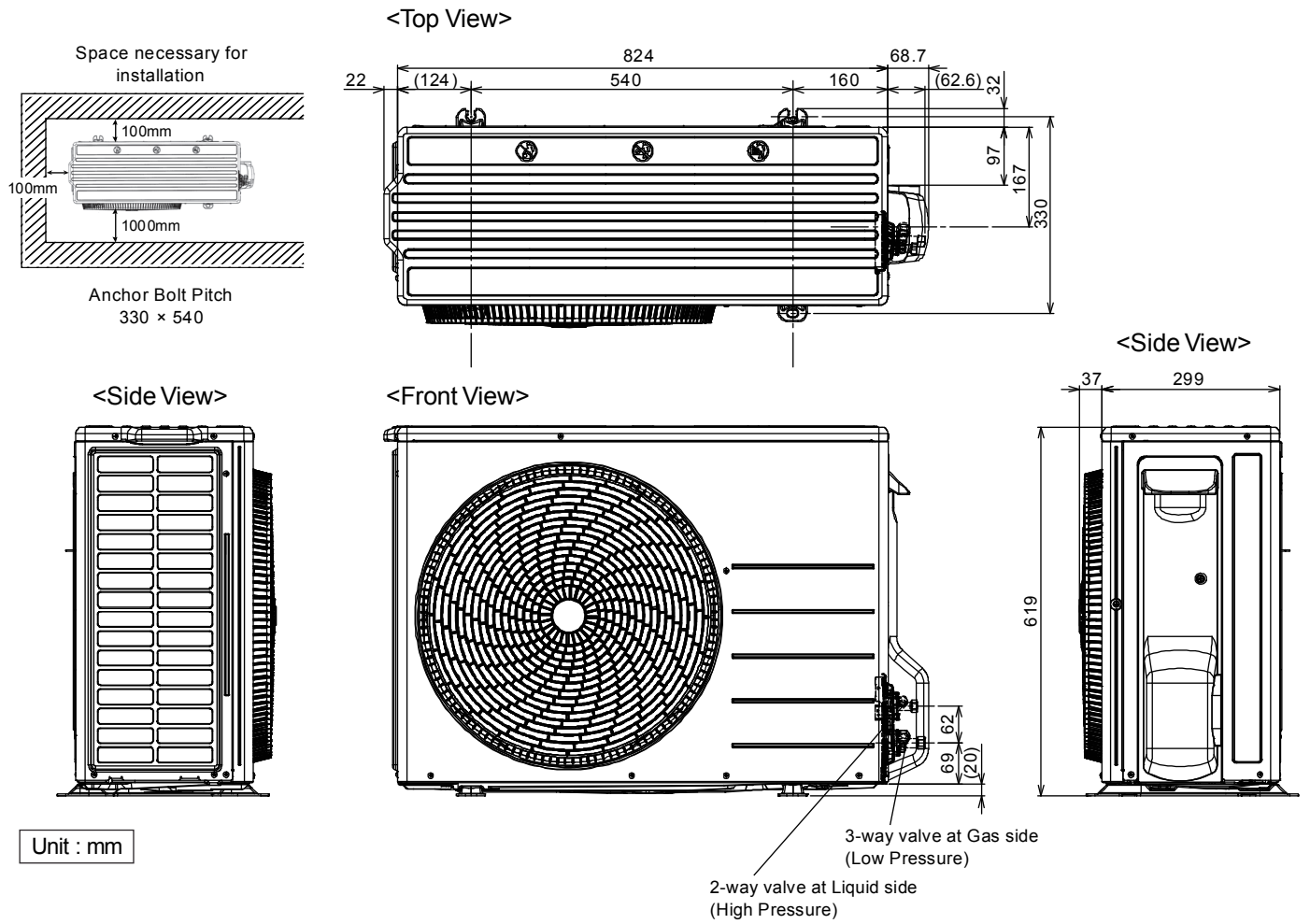


## 5.2 Outdoor Unit

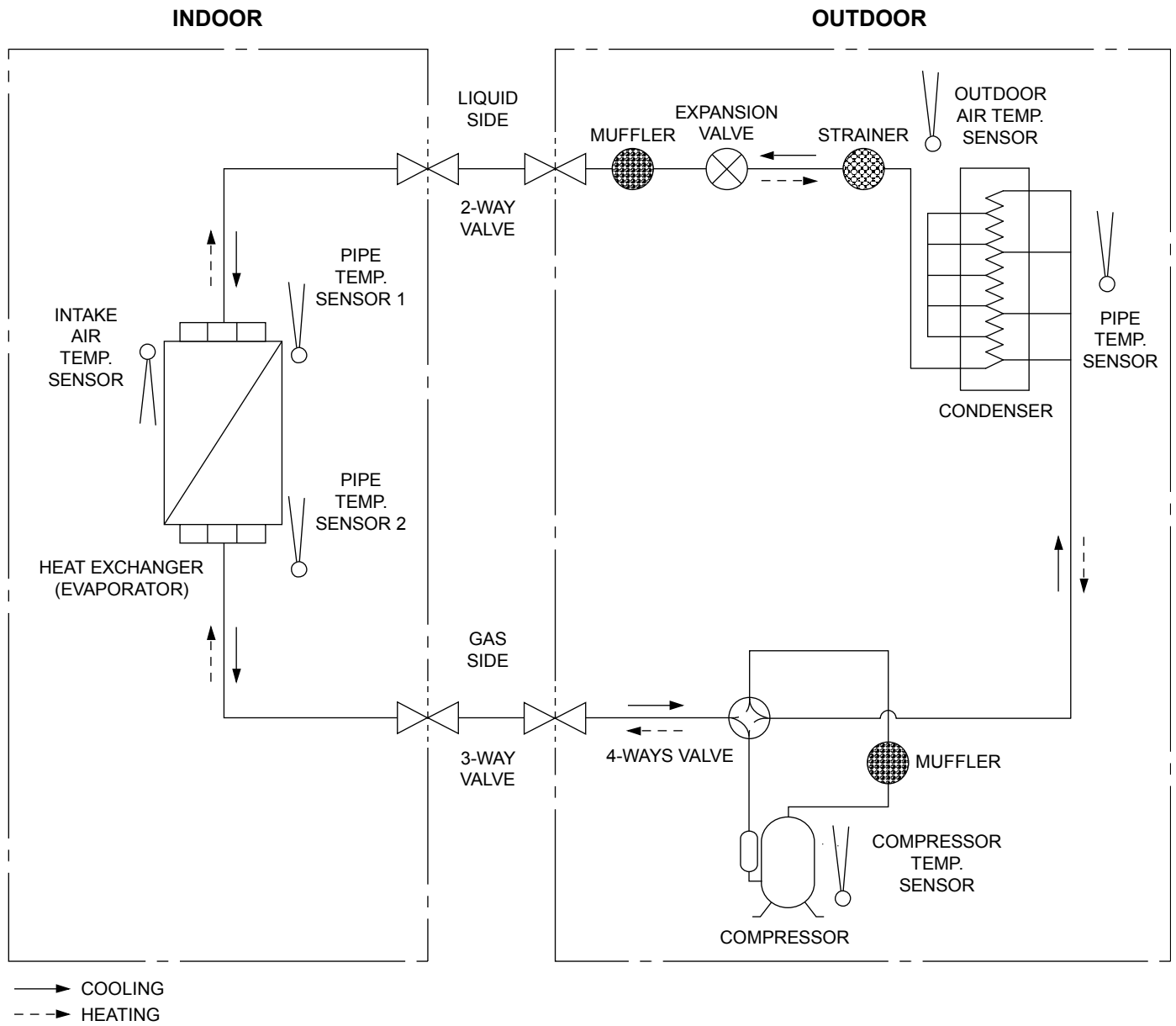
### 5.2.1 CU-RE9QKE



## 5.2.2 CU-RE12QKE CU-RE15QKE



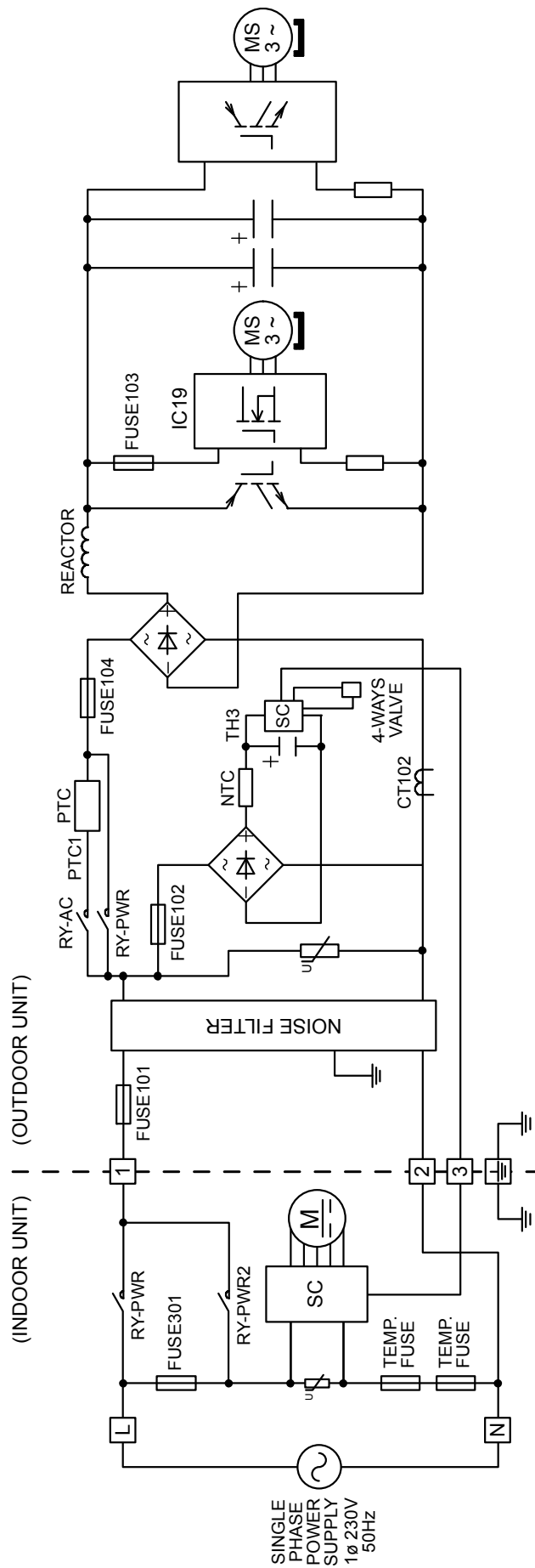
# 6. Refrigeration Cycle Diagram





# 7. Block Diagram

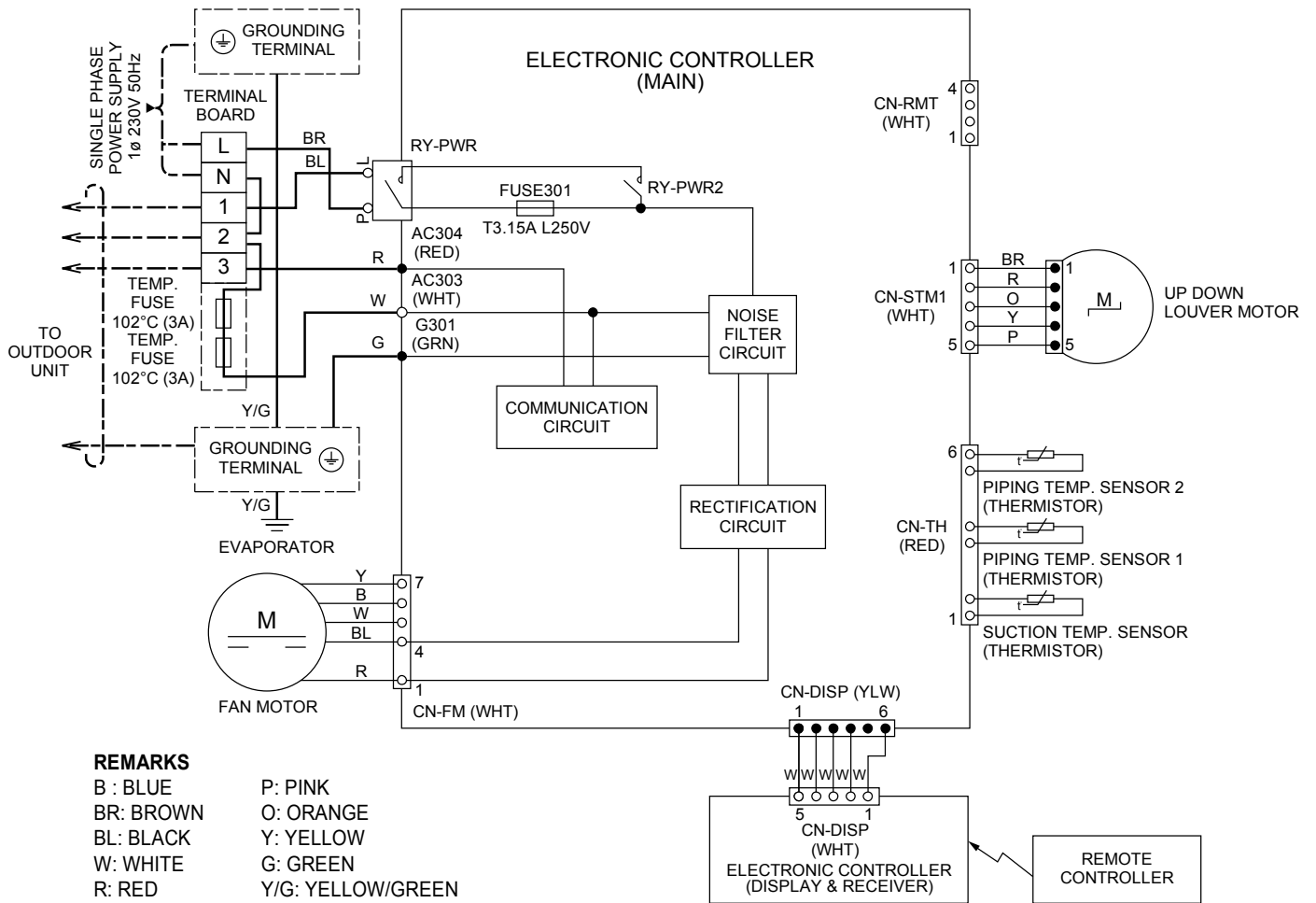
## 7.1 CS-RE9QKE CU-RE9QKE





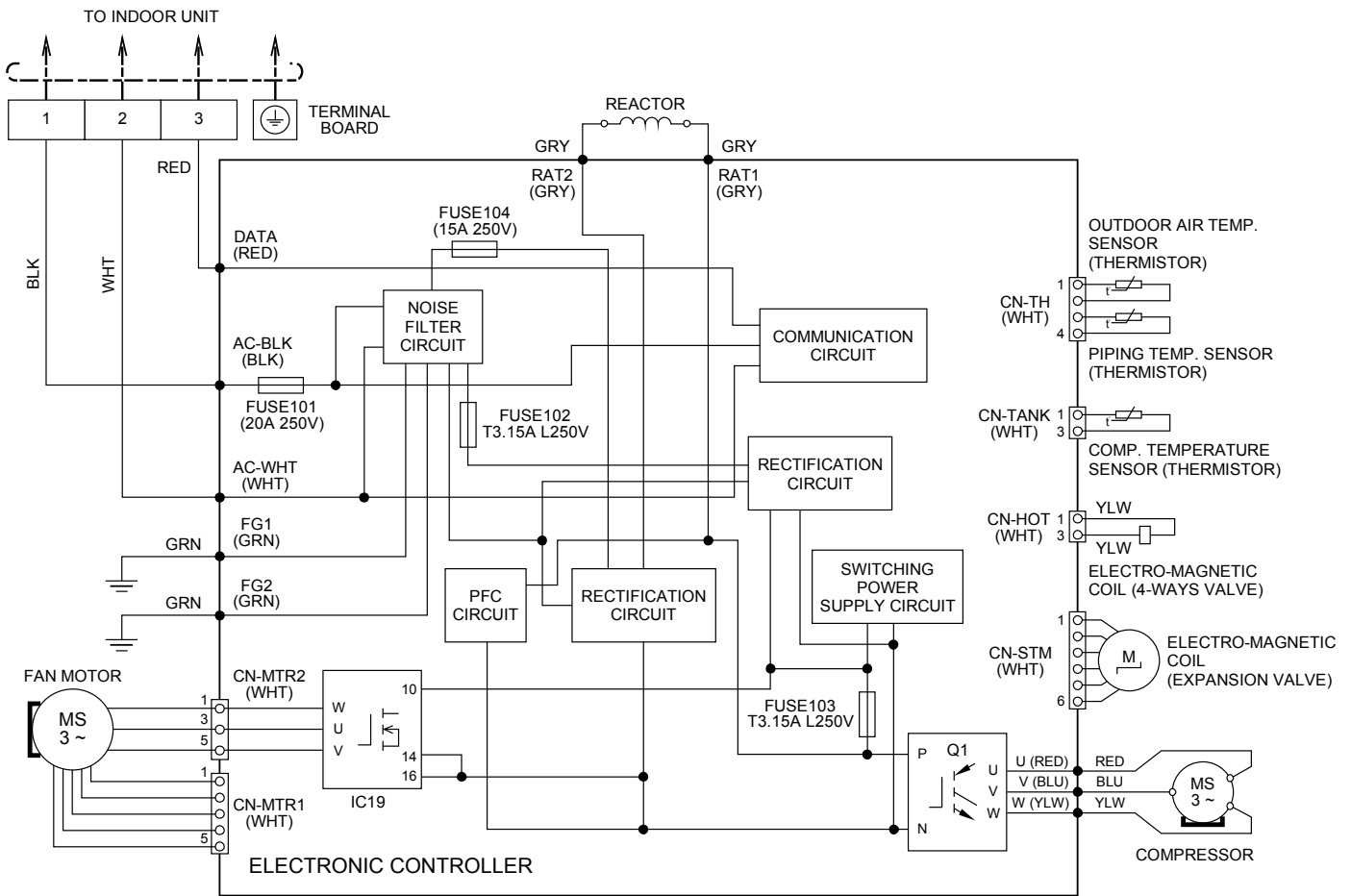
# 8. Wiring Connection Diagram

## 8.1 Indoor Unit



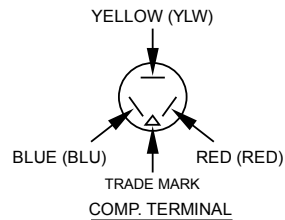
## 8.2 Outdoor Unit

### 8.2.1 CU-RE9QKE



#### REMARKS

BLACK: (BLK)      RED: (RED)  
 WHITE: (WHT)      BROWN: (BRW)  
 YELLOW: (YLW)      GREEN: (GRN)  
 ORANGE: (ORG)      GRAY: (GRY)  
 BLUE: (BLU)      YELLOW/GREEN: (YLW/GRN)

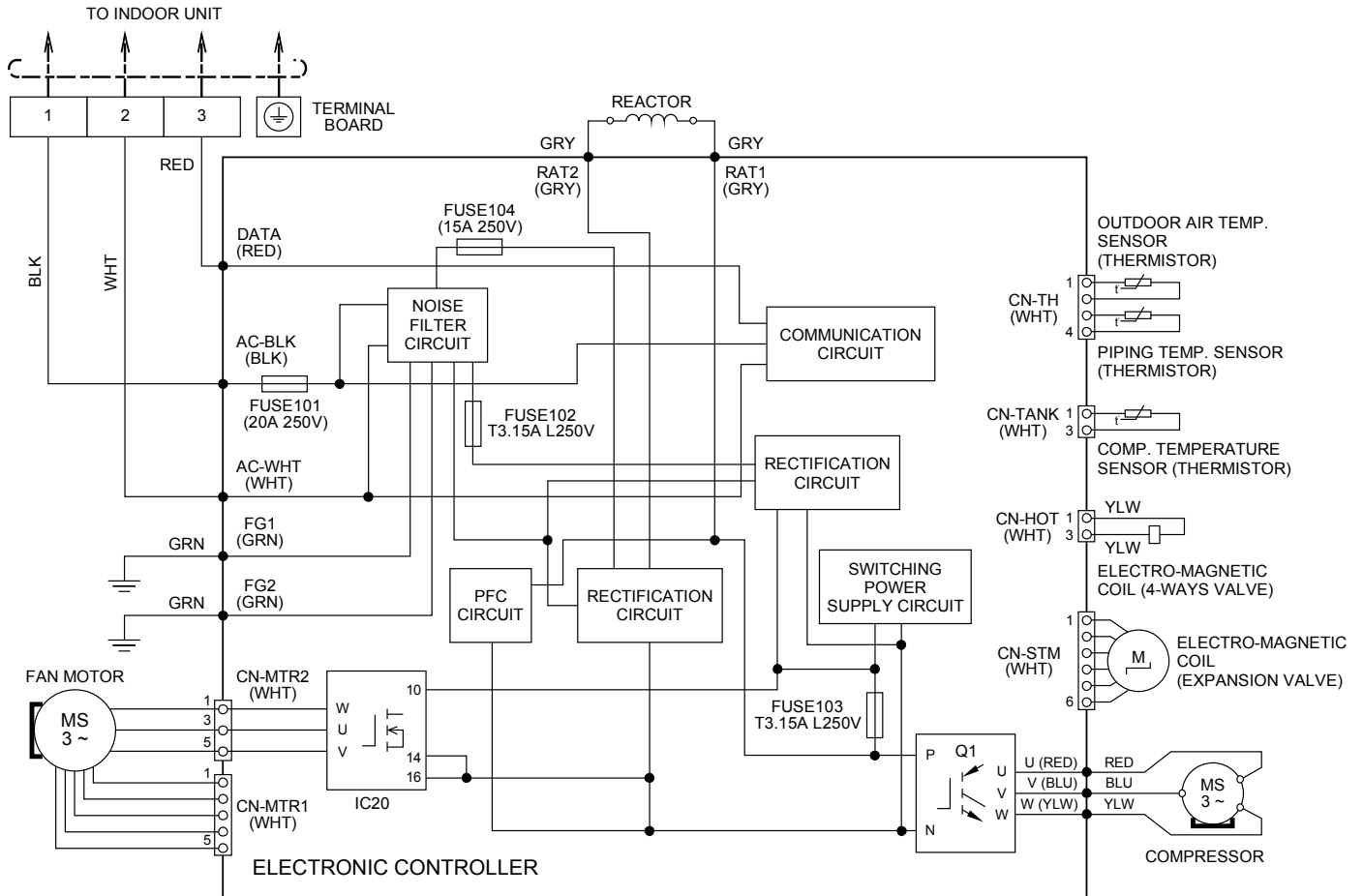


#### Resistance of Compressor Windings

MODEL	CU-RE9QKE
CONNECTION	5RS092XCD21
U-V	1.152 Ω
U-W	1.152 Ω
V-W	1.152 Ω

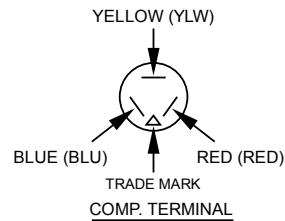
Note: Resistance at 20°C of ambient temperature.

## 8.2.2 CU-RE12QKE CU-RE15QKE



### REMARKS

BLACK: (BLK)      RED: (RED)  
 WHITE: (WHT)      BROWN: (BRW)  
 YELLOW: (YLW)      GREEN: (GRN)  
 ORANGE: (ORG)      GRAY: (GRY)  
 BLUE: (BLU)      YELLOW/GREEN: (YLW/GRN)



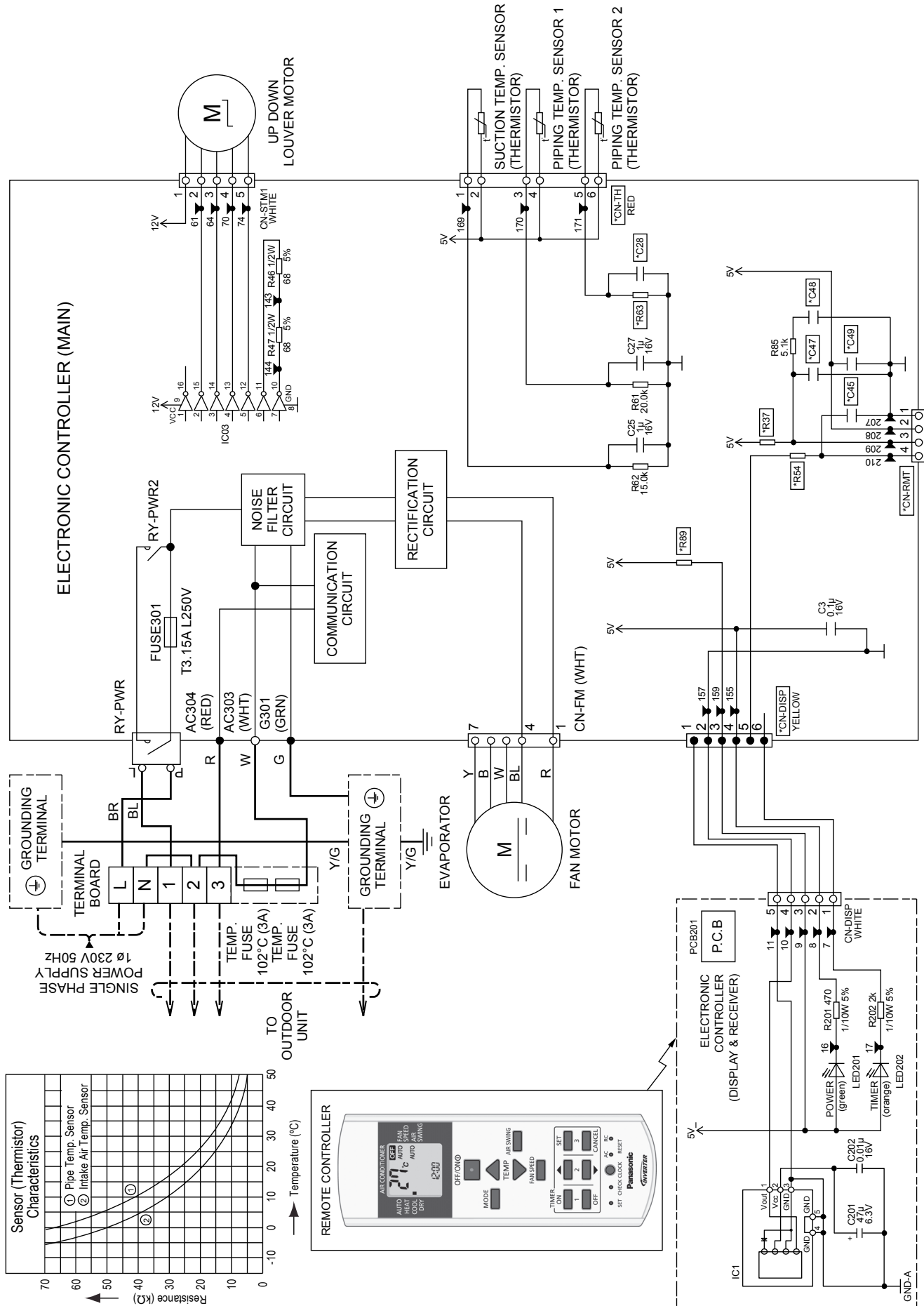
### Resistance of Compressor Windings

MODEL	CU-RE12QKE/RE15QKE
CONNECTION	5RS102XNA21
U-V	1.211 Ω
U-W	1.211 Ω
V-W	1.211 Ω

Note: Resistance at 20°C of ambient temperature.

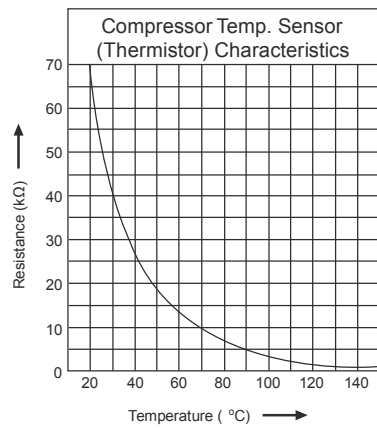
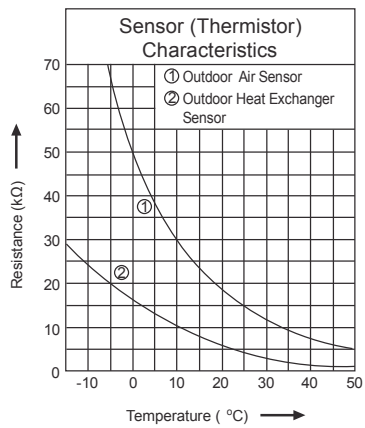
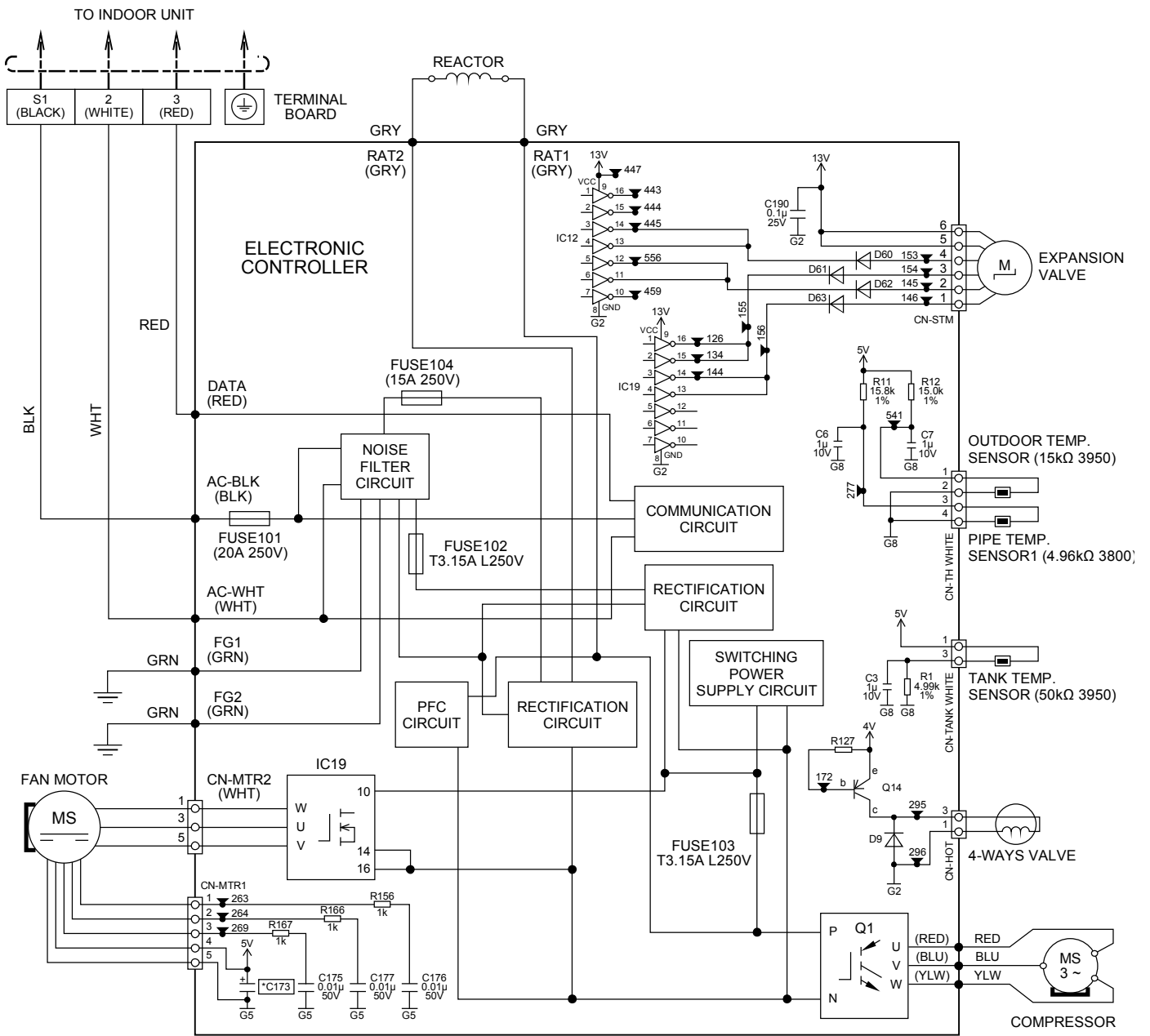
# 9. Electronic Circuit Diagram

## 9.1 Indoor Unit

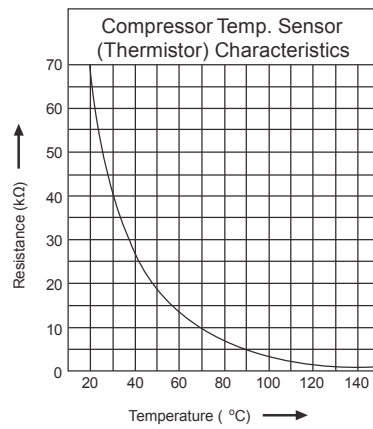
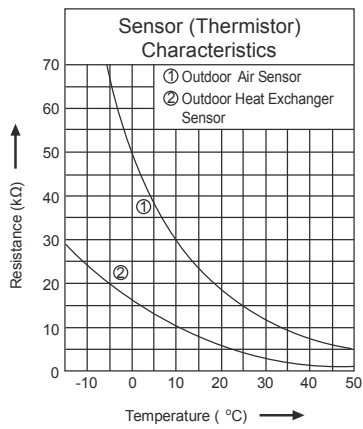
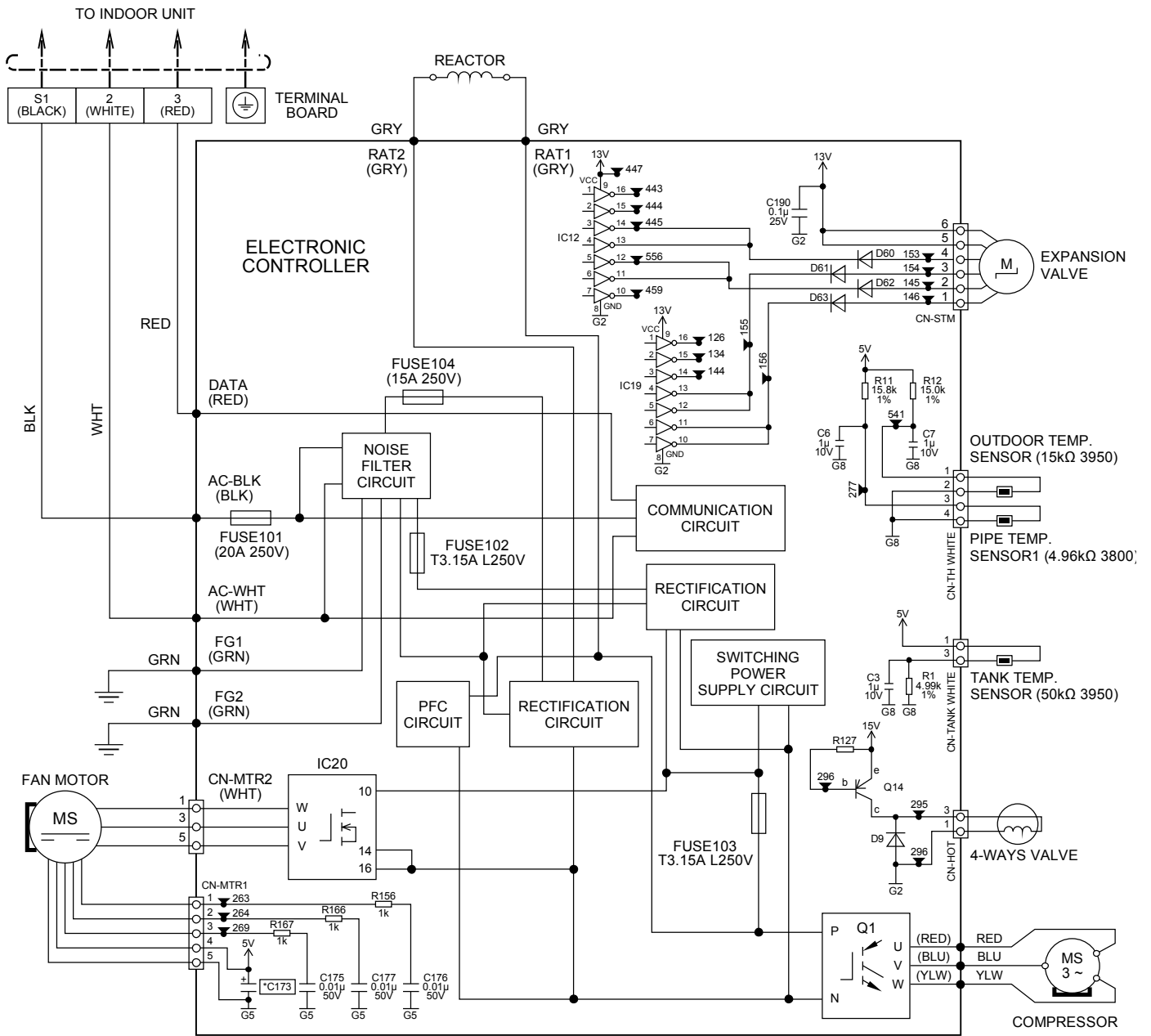


## 9.2 Outdoor Unit

### 9.2.1 CU-RE9QKE



## 9.2.2 CU-RE12QKE CU-RE15QKE

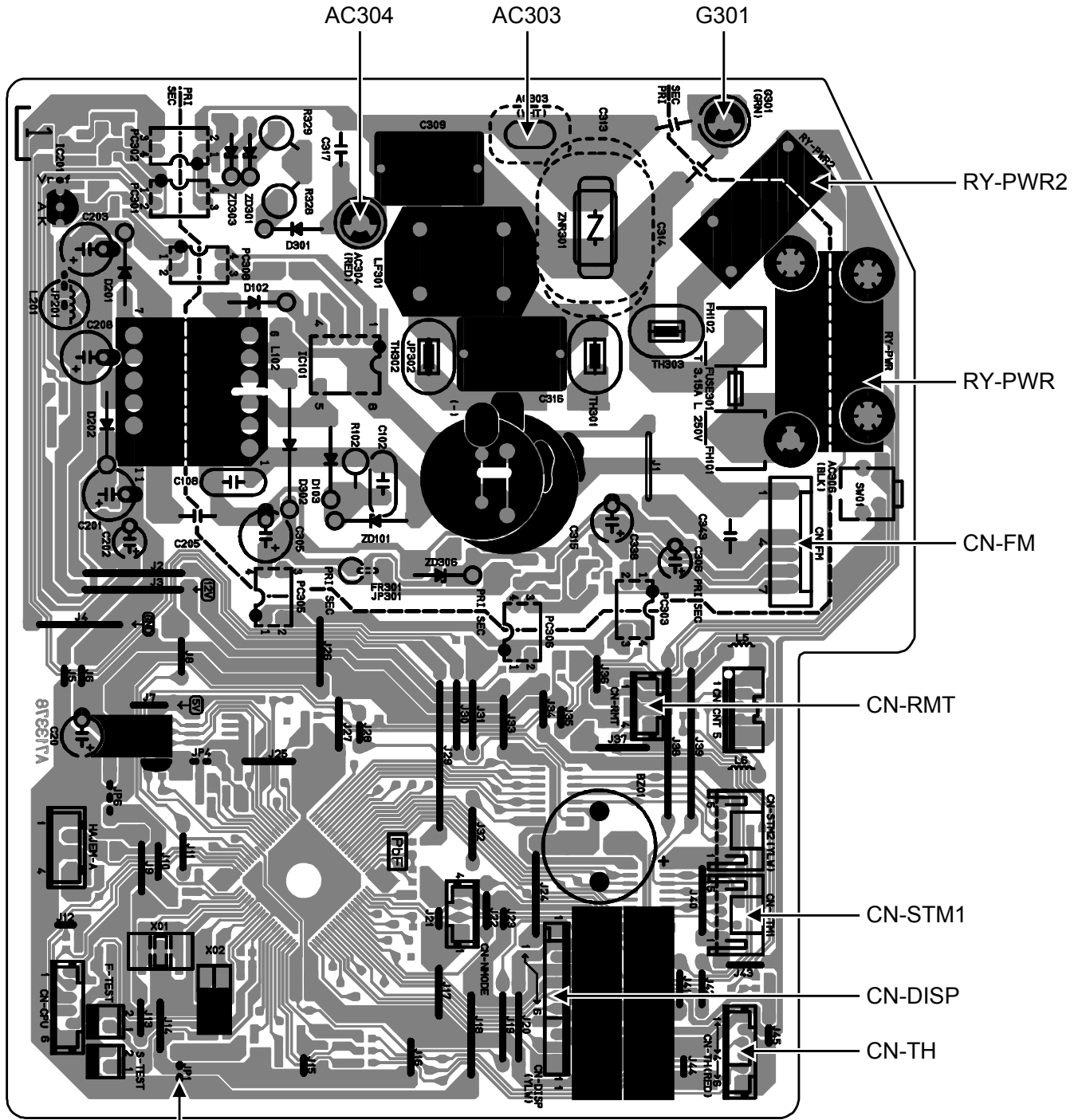




# 10. Printed Circuit Board

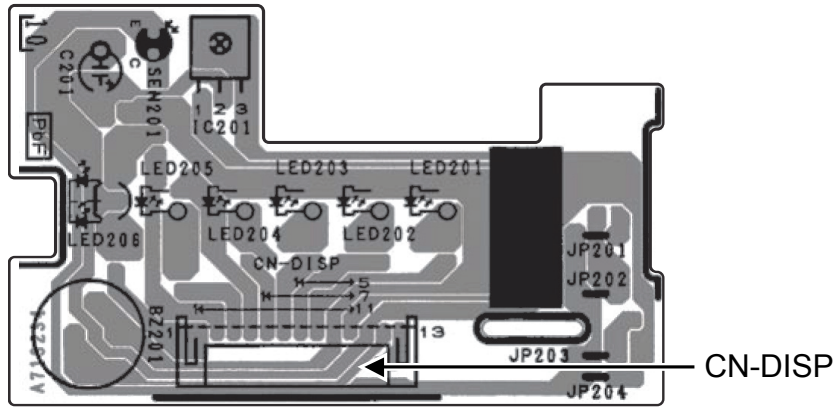
## 10.1 Indoor Unit

### 10.1.1 Main Printed Circuit Board



JP1 (Random Auto Restart enable/disable)

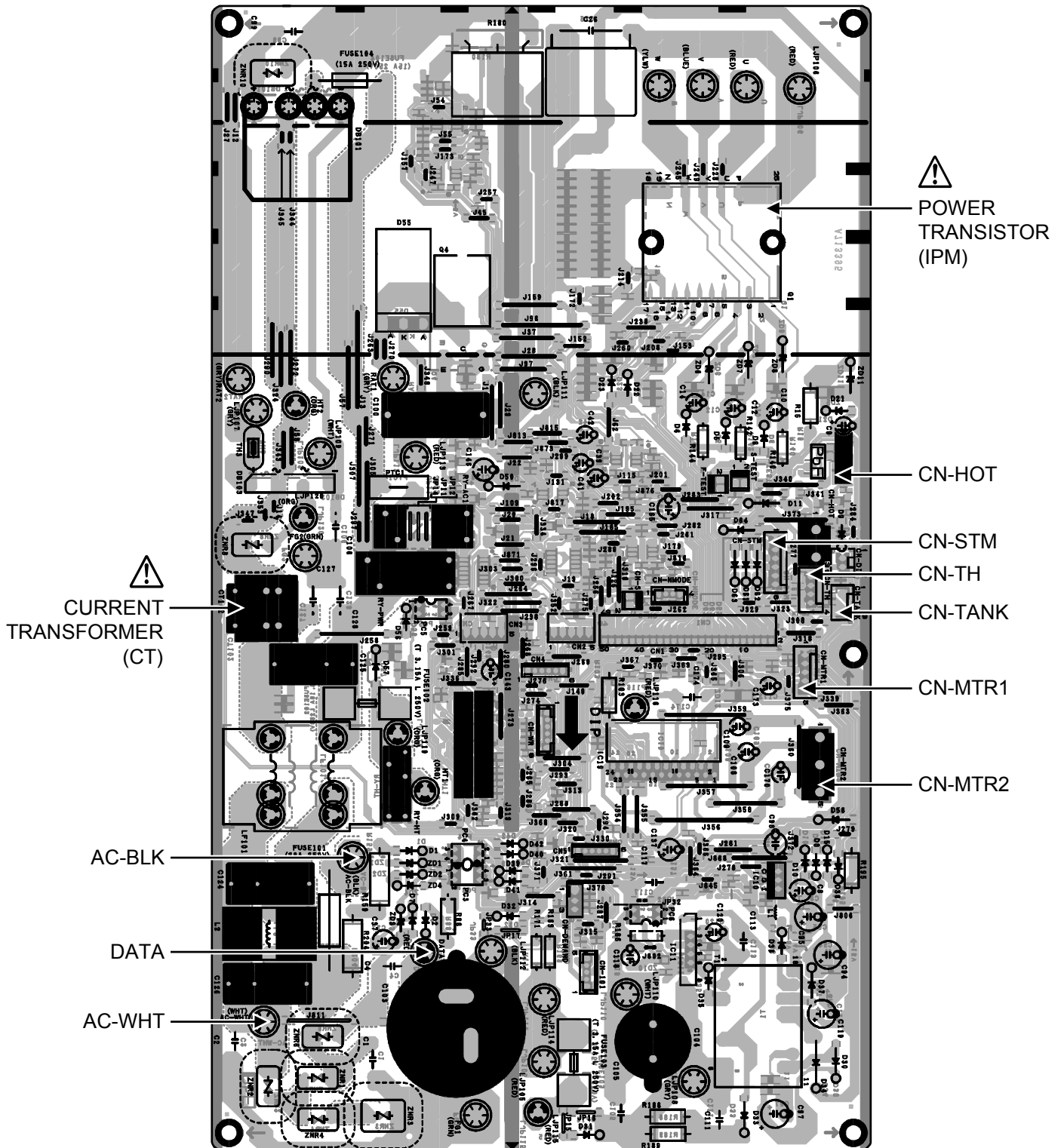
## 10.1.2 Indicator & Receiver Printed Circuit Board



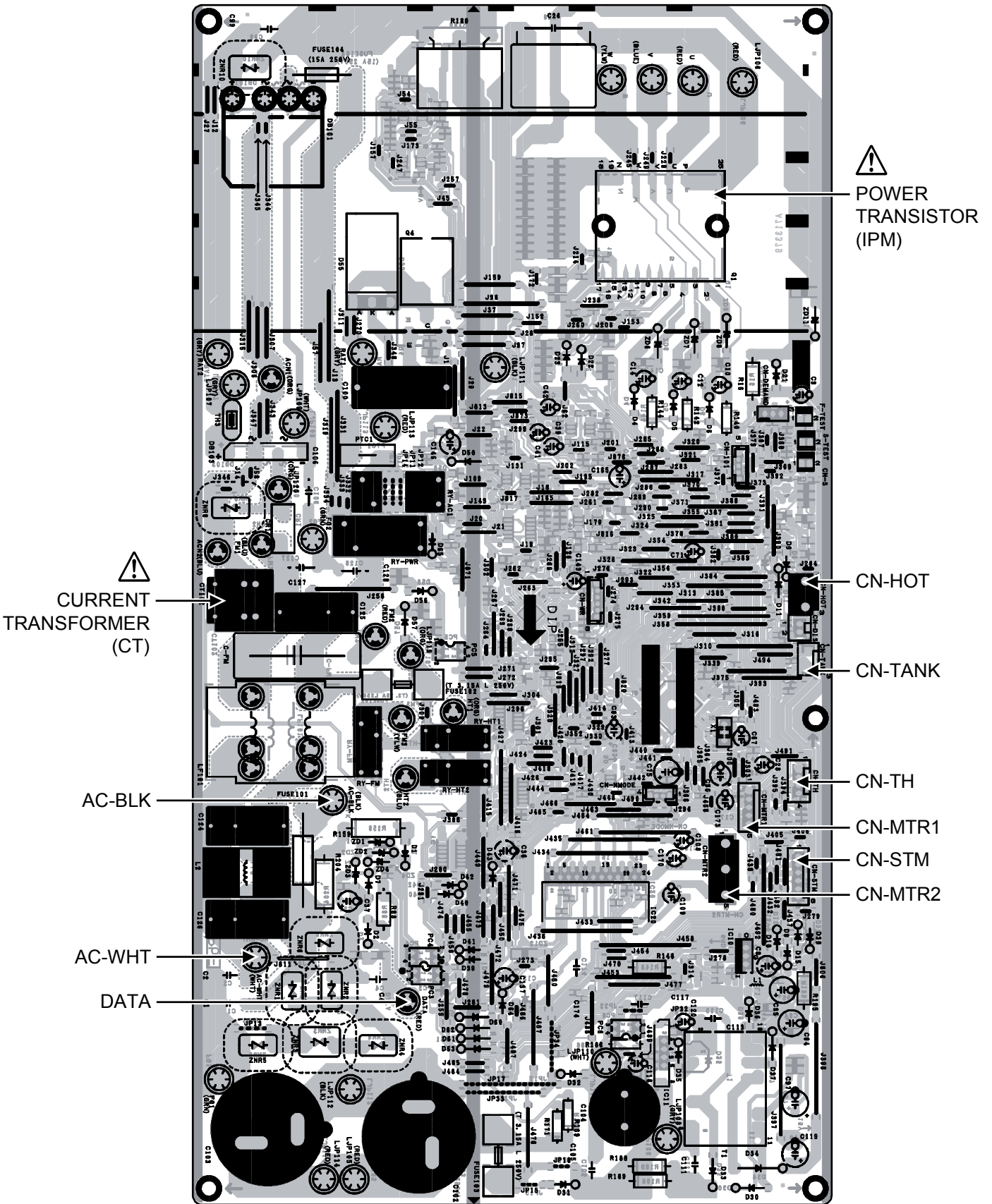
## 10.2 Outdoor Unit

### 10.2.1 Main Printed Circuit Board

#### 10.2.1.1 CU-RE9QKE



10.2.1.2 CU-RE12QKE CU-RE15QKE



# 11. Installation Instruction

## 11.1 Select the Best Location

### 11.1.1 Indoor Unit

- Do not install the unit in excessive oil fume area such as kitchen, workshop and etc.
- There should not be any heat source or steam near the unit.
- There should not be any obstacles blocking the air circulation.
- A place where air circulation in the room is good.
- A place where drainage can be easily done.
- A place where noise prevention is taken into consideration.
- Do not install the unit near the door way.
- Ensure the spaces indicated by arrows from the wall, ceiling, fence or other obstacles.
- Recommended installation height for indoor unit shall be at least 2.5 m.

### 11.1.2 Outdoor Unit

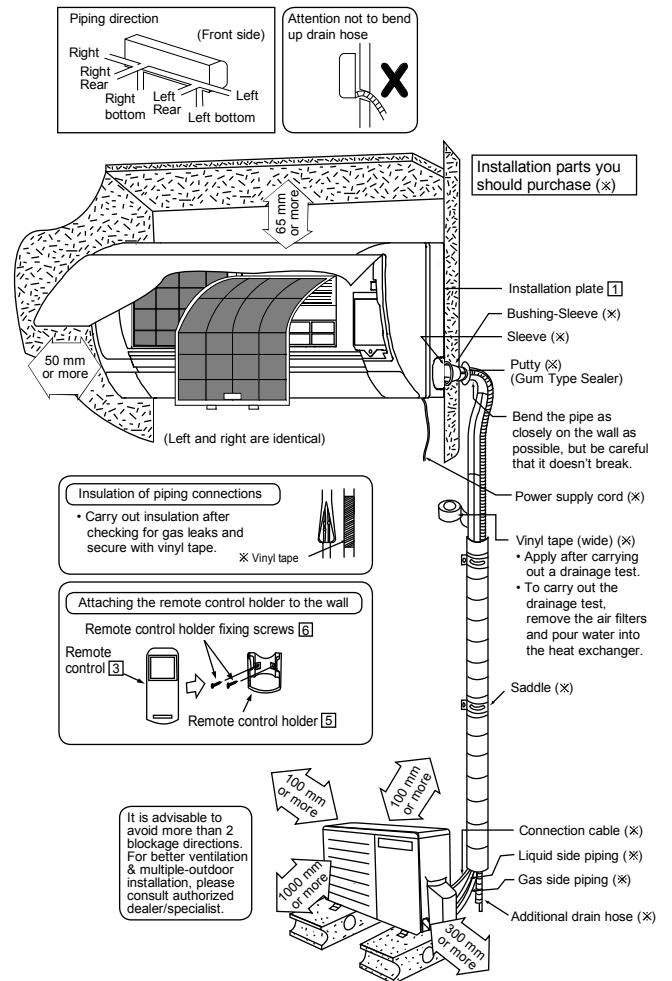
- If an awning is built over the unit to prevent direct sunlight or rain, be careful that heat radiation from the condenser is not obstructed.
- There should not be any animal or plant which could be affected by hot air discharged.
- Keep the spaces indicated by arrows from wall, ceiling, fence or other obstacles.
- Do not place any obstacles which may cause a short circuit of the discharged air.
- If piping length is over the [piping length for additional gas], additional refrigerant should be added as shown in the table.

Model	Horse Power (HP)	Piping size		Std. Length (m)	Max. Elevation (m)	Min. Piping Length (m)	Max. Piping Length (m)	Additional Refrigerant (g/m)	Piping Length for add. gas (m)
		Gas	Liquid						
RE9***, UE9***, YE9***	1.0HP	9.52mm (3/8")	6.35mm (1/4")	5	15	3	15	20	7.5
RE12***, UE12***, YE12***	1.5HP				15	3	15	20	7.5
RE15***	1.75HP	12.7mm (1/2")	6.35mm (1/4")		15	3	15	20	7.5
UE18***	2.0HP				15	3	15	20	7.5
RE18***					15	3	20	20	7.5
RE24***	2.5HP	15.88mm (5/8")			20	3	30	30	10

Example: For RE9\*\*\*

If the unit is installed at 10 m distance, the quantity of additional refrigerant should be 50 g ....  $(10-7.5) \text{ m} \times 20 \text{ g/m} = 50 \text{ g}$ .

### 11.1.3 Indoor/Outdoor Unit Installation Diagram

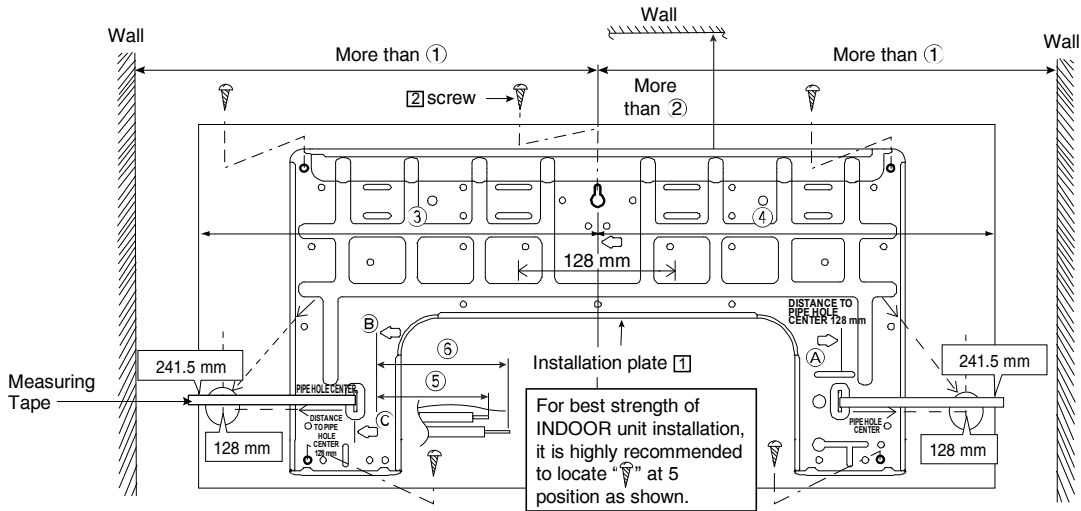


- This illustration is for explanation purposes only. The indoor unit will actually face a different way

## 11.2 Indoor Unit

### 11.2.1 How to Fix Installation Plate

The mounting wall shall be strong and solid enough to prevent it from the vibration.



Model	Dimension					
	①	②	③	④	⑤	⑥
RE9***, UE9***, YE9*** RE12***, UE12***, YE12*** RE15***	490 mm	82 mm	439 mm	432 mm	43 mm	95 mm
RE18***, UE18*** RE24***	590 mm	82 mm	539 mm	532 mm	169 mm	219 mm

The center of installation plate should be at more than ① at right and left of the wall.

The distance from installation plate edge to ceiling should more than ②.

From installation plate center to unit's left side is ③.

From installation plate center to unit's right side is ④.

⑤ : For left side piping, piping connection for liquid should be about ⑤ from this line.

⑥ : For left side piping, piping connection for gas should be about ⑥ from this line.

1 Mount the installation plate on the wall with 5 screws or more (at least 5 screws).

(If mounting the unit on the concrete wall, consider using anchor bolts.)

○ Always mount the installation plate horizontally by aligning the marking-off line with the thread and using a level gauge.

2 Drill the piping plate hole with  $\varnothing 70$  mm hole-core drill.

○ Line according to the left and right side of the installation plate. The meeting point of the extended line is the center of the hole. Another method is by putting measuring tape at position as shown in the diagram above.

The hole center is obtained by measuring the distance namely 128 mm for left and right hole respectively.

○ Drill the piping hole at either the right or the left and the hole should be slightly slanting to the outdoor side.

### 11.2.2 To Drill a Hole in the Wall and Install a Sleeve of Piping

1 Insert the piping sleeve to the hole.

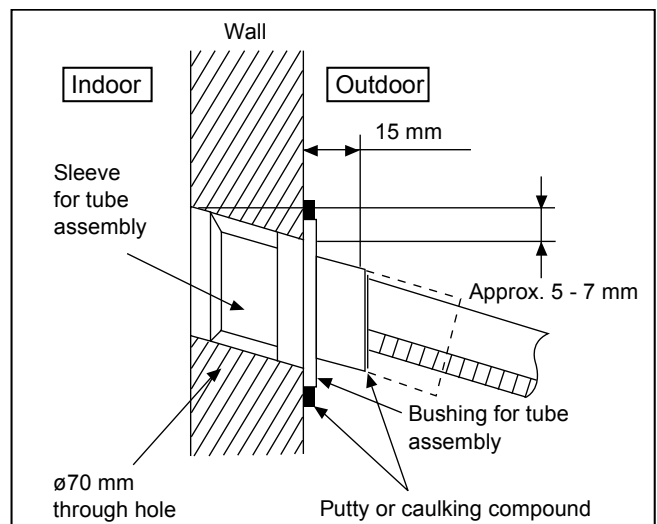
2 Fix the bushing to the sleeve.

3 Cut the sleeve until it extrudes about 15 mm from the wall.

#### CAUTION

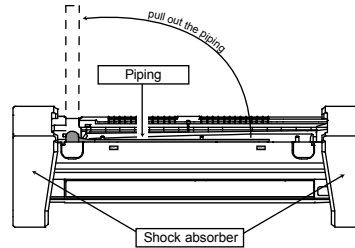
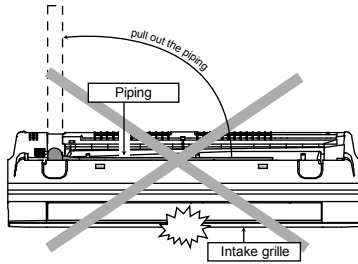
❗ When the wall is hollow, please be sure to use the sleeve for tube assembly to prevent dangers caused by mice biting the connection cable.

4 Finish by sealing the sleeve with putty or caulking compound at the final stage.



## 11.2.3 Indoor Unit Installation

- Do not turn over the unit without it's shock absorber during pull out the piping. It may cause intake grille damage.
- Use shock absorber during pull out the piping to protect the intake grille from damage.



### 11.2.3.1 For the right rear piping

- Step-1** Pull out the Indoor piping
- Step-2** Install the Indoor Unit
- Step-3** Secure the Indoor Unit
- Step-4** Insert the power supply cord and connection cable
  - Insert the cables from bottom of the unit through the control board hole until terminal board area.

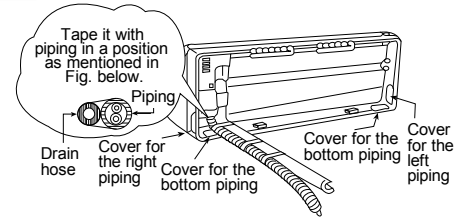
### 11.2.3.2 For the right and right bottom piping

- Step-1** Pull out the Indoor piping
- Step-2** Install the Indoor Unit
- Step-3** Insert the power supply cord and connection cable
  - Insert the cables from bottom of the unit through the control board hole until terminal board area.
- Step-4** Secure the Indoor Unit

### 11.2.3.3 For the embedded piping

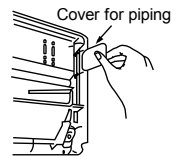
- Step-1** Replace the drain hose
- Step-2** Bend the embedded piping
  - Use a spring bender or equivalent to bend the piping so that the piping is not crushed.
- Step-3** Pull the connection cable into Indoor Unit
  - The power supply cord and indoor unit and outdoor unit connection cable can be connected without removing the front grille.
- Step-4** Cut and flare the embedded piping
  - When determining the dimensions of the piping, slide the unit all the way to the left on the installation plate.
  - Refer to the section "Cutting and flaring the piping".
- Step-5** Install the Indoor Unit
- Step-6** Connect the piping
  - Please refer to "Connecting the piping" column in outdoor unit section. (Below steps are done after connecting the outdoor piping and gas-leakage confirmation.)
- Step-7** Insulate and finish the piping
  - Please refer to "Insulation of piping connection" column as mentioned in indoor/outdoor unit installation.
- Step-8** Secure the Indoor Unit

#### Right Rear piping

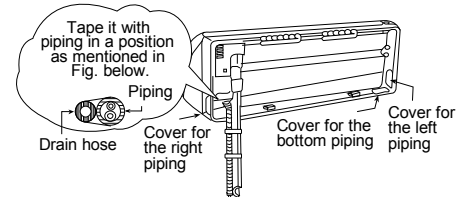


#### How to keep the cover

In case of the cover is cut, keep the cover at the rear of chassis as shown in the illustration for future reinstallation. (Left, right and 2 bottom covers for piping.)

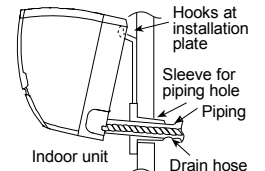


#### Right and Right Bottom piping



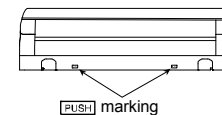
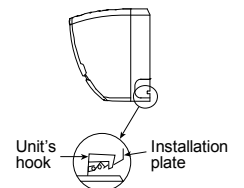
#### Install the indoor unit

Hook the indoor unit onto the upper portion of installation plate. (Engage the indoor unit with the upper edge of the installation plate). Ensure the hooks are properly seated on the installation plate by moving it in left and right.



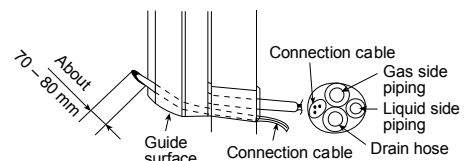
#### Secure the Indoor Unit

1. Press the lower left and right side of the unit against the installation plate until hooks engages with their slot (sound click).

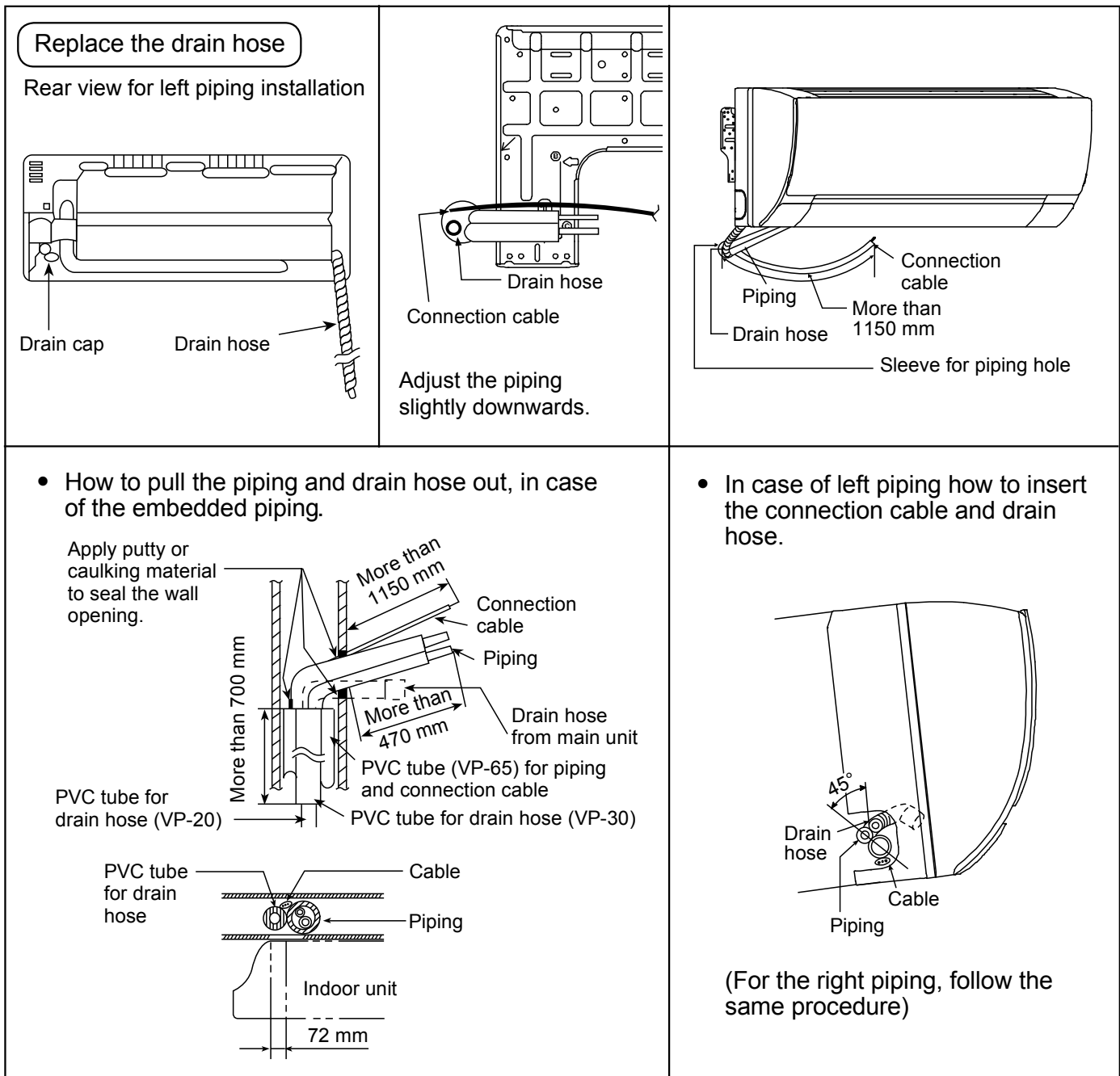


To take out the unit, push the **PUSH** marking at the bottom unit, and pull it slightly towards you to disengage the hooks from the unit.

#### Insert the connection cable



(This can be used for left rear piping and left bottom piping also.)



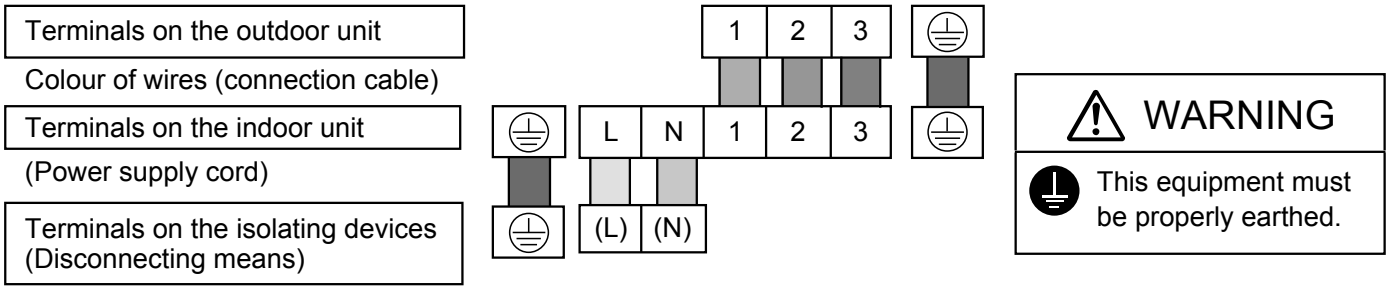
## 11.2.4 Connect the Cable to the Indoor Unit

The power supply cord, indoor and outdoor unit connection cable can be connected without removing the front grille.

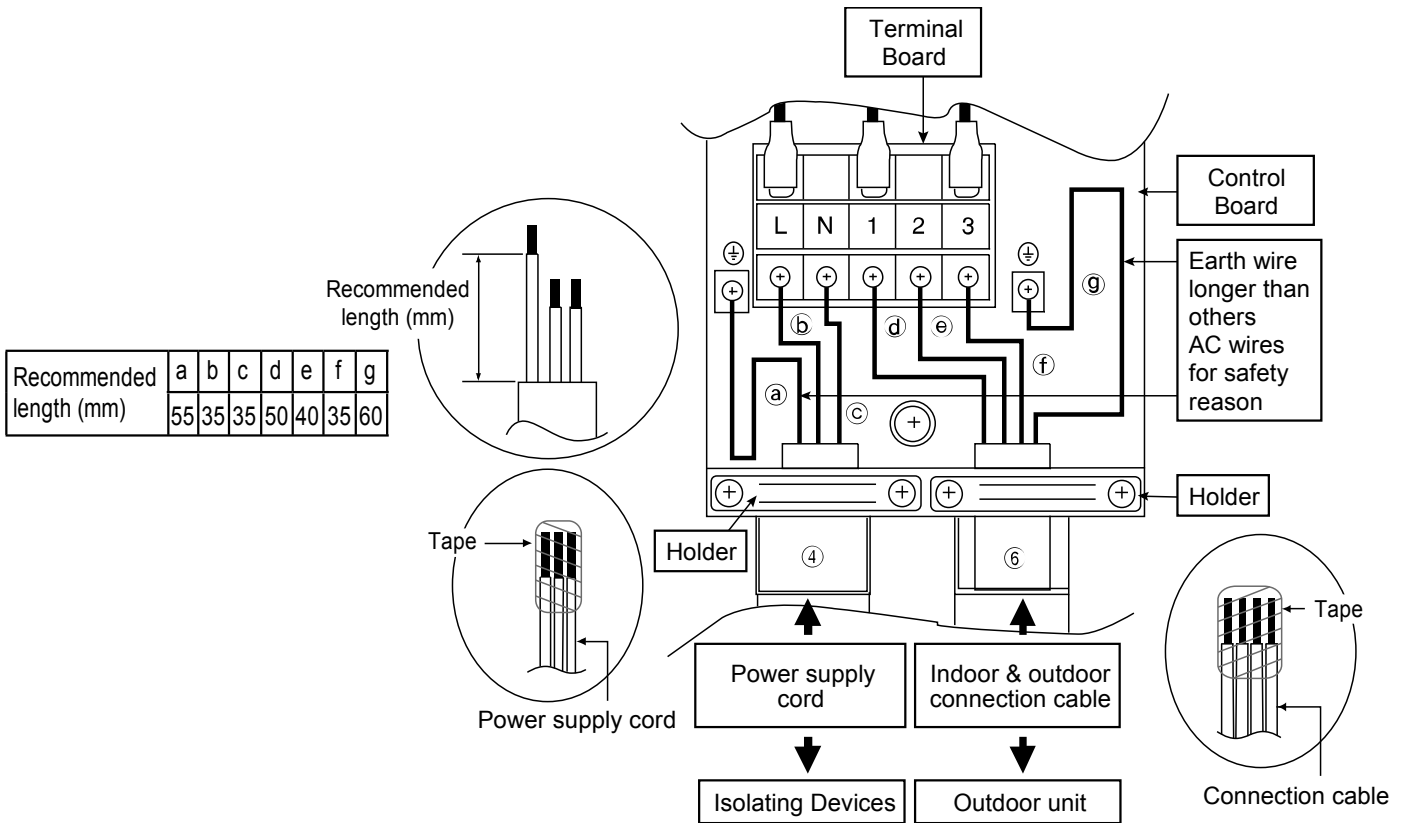
- Install the indoor unit on the installing holder that mounted on the wall.
- Open the front panel and grille door by loosening the screw.
- Cable connection to the power supply through Isolating Devices (Disconnecting means).
  - Connect approved type polychloroprene sheathed **power supply cord**  $3 \times 1.5 \text{ mm}^2$  (1.0 ~ 1.75HP),  $3 \times 2.5 \text{ mm}^2$  (2.0 ~ 2.5HP) type designation 60245 IEC 57 or heavier cord to the terminal board, and connect the others end of the cord to Isolating Devices (Disconnecting means).
  - Do not use joint power supply cord. Replace the wire if the existing wire (from concealed wiring, or otherwise) is too short.
  - In unavoidable case, joining of power supply cord between isolating devices and terminal board of air conditioner shall be done by using approved socket and plug with earth pin rated 15/16/20A. Wiring work to both socket and plug must follow to national wiring standard.
- Bind all the power supply cord lead wire with tape and route the power supply cord via the left escapement.
- Connection cable** between indoor unit and outdoor unit shall be approved polychloroprene sheathed  $4 \times 1.5 \text{ mm}^2$  (1.0 ~ 1.75HP) or  $4 \times 2.5 \text{ mm}^2$  (2.0 ~ 2.5HP) flexible cord, type designation 60245 IEC 57 or heavier cord. Do not use joint connection cable. Replace the wire if the existing wire (from concealed wiring, or otherwise) is too short. Allowable connection cable length of each indoor unit shall be 30 m or less.
- Bind all the indoor and outdoor connection cable with tape and route the connection cable via the right escapement.



7 Remove the tapes and connect the power supply cord and connection cable between indoor unit and outdoor unit according to the diagram below.

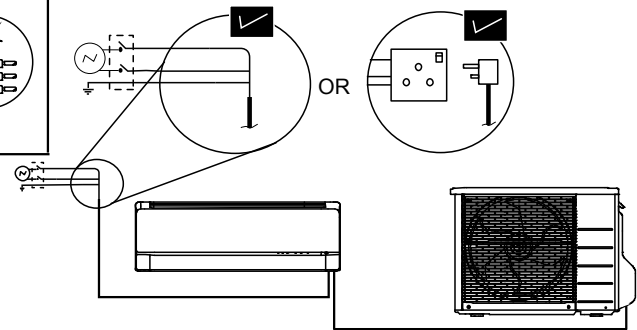
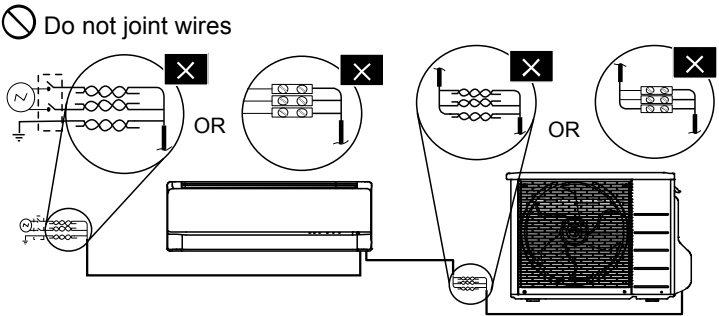
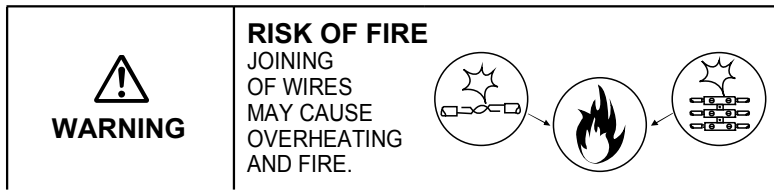
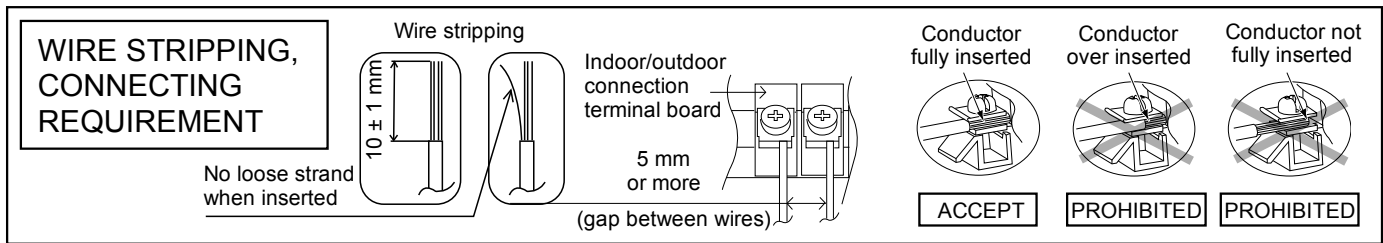


- 8 Secure the power supply cord and connection cable onto the control board with the holder.
- 9 Close grille door by tighten with screw and close the front panel.



**Note:**

- Isolating Devices (Disconnecting means) should have minimum 3.0 mm contact gap.
- Ensure the colour of wires of outdoor unit and the terminal Nos. are the same to the indoor's respectively.
- Earth wire shall be Yellow/Green (Y/G) in colour and longer than other AC wires as shown in the figure for the electrical safety in case of the slipping out of the cord from the anchorage.

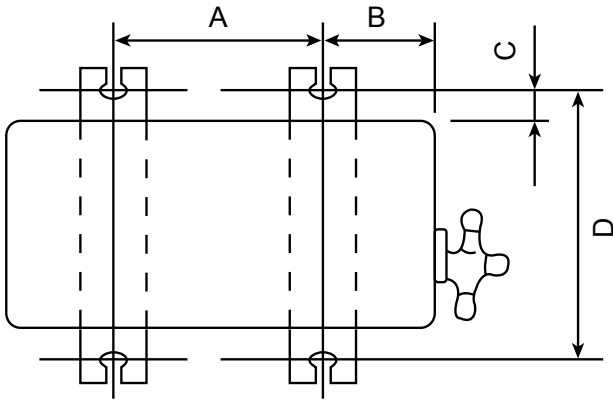


- ❗ Use complete wire without joining.
- ❗ Use approved socket and plug with earth pin.
- ❗ Wire connection in this area must follow to national wiring rules.

## 11.3 Outdoor Unit

### 11.3.1 Install the Outdoor Unit

- After selecting the best location, start installation according to Indoor/Outdoor Unit Installation Diagram.
  - Fix the unit on concrete or rigid frame firmly and horizontally by bolt nut ( $\phi 10$  mm).
  - When installing at roof, please consider strong wind and earthquake.  
Please fasten the installation stand firmly with bolt or nails.



Model	A	B	C	D
RE9***, UE9***, YE9***	570 mm	105 mm	18.5 mm	320 mm
UE12***, YE12***				
RE12***	540 mm	160 mm	18.5 mm	330 mm
RE15***				
UE18***				
RE18***	613 mm	131 mm	16 mm	360.5 mm
RE24***				

### 11.3.2 Connect the Piping

#### 11.3.2.1 Connecting the Piping to Indoor

Please make flare after inserting flare nut (locate at joint portion, of tube assembly) onto the copper pipe. (In case of using long piping)

Connect the piping

- Align the center of piping and sufficiently tighten the flare nut with fingers.
- Further tighten the flare nut with torque wrench in specified torque as stated in the table.

Do not overtighten, overtightening may cause gas leakage.

Piping size	Torque
6.35 mm (1/4")	[18 N•m (1.8 kgf.m)]
9.52 mm (3/8")	[42 N•m (4.3 kgf.m)]
12.7 mm (1/2")	[55 N•m (5.6 kgf.m)]
15.88 mm (5/8")	[65 N•m (6.6 kgf.m)]
19.05 mm (3/4")	[100 N•m (10.2 kgf.m)]

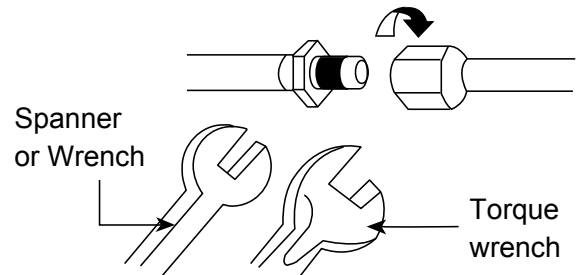
#### 11.3.2.2 Connecting the Piping to Outdoor

Decide piping length and then cut by using pipe cutter.

Remove burrs from cut edge.

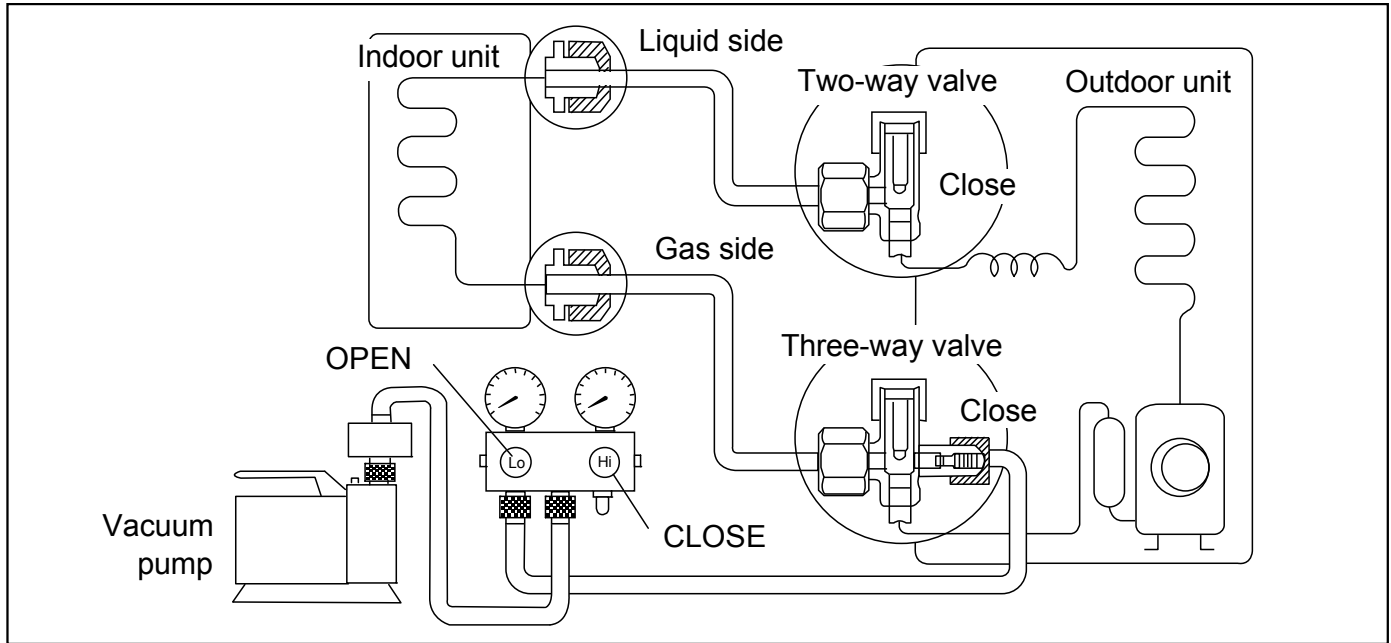
Make flare after inserting the flare nut (located at valve) onto the copper pipe.

Align center of piping to valves and then tighten with torque wrench to the specified torque as stated in the table.



### 11.3.3 Evacuation of the Equipment

WHEN INSTALLING AN AIR CONDITIONER, BE SURE TO EVACUATE THE AIR INSIDE THE INDOOR UNIT AND PIPES in the following procedure.









- 1 Connect a charging hose with a push pin to the Low side of a charging set and the service port of the 3-way valve.
  - Be sure to connect the end of the charging hose with the push pin to the service port.
- 2 Connect the center hose of the charging set to a vacuum pump.
- 3 Turn on the power switch of the vacuum pump and make sure that the needle in the gauge moves from 0 cmHg (0 MPa) to -76 cmHg (-0.1 MPa). Then evacuate the air approximately ten minutes.
- 4 Close the Low side valve of the charging set and turn off the vacuum pump. Make sure that the needle in the gauge does not move after approximately five minutes.  
Note: BE SURE TO TAKE THIS PROCEDURE IN ORDER TO AVOID REFRIGERENT GAS LEAKAGE.
- 5 Disconnect the charging hose from the vacuum pump and from the service port of the 3-way valve.
- 6 Tighten the service port caps of the 3-way valve at a torque of 18 N•m with a torque wrench.
- 7 Remove the valve caps of both of the 2-way valve and 3-way valve. Position both of the valves to "OPEN" using a hexagonal wrench (4 mm).
- 8 Mount valve caps onto the 2-way valve and the 3-way valve.
  - Be sure to check for gas leakage. .

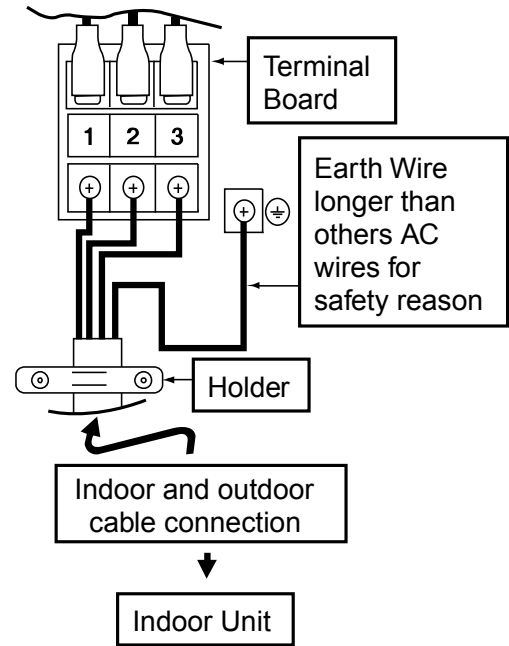
- If gauge needle does not move from 0 cmHg (0 MPa) to -76 cmHg (-0.1 MPa), in the step ③ above take the following measure:
  - If the leak stops when the piping connections are tightened further, continue working from step ③.
  - If the leak does not stop when the connections are retightened, repair location of leak.
  - Do not release refrigerant during piping work for installation and reinstallation.
  - Take care of the liquid refrigerant, it may cause frostbite.


### 11.3.4 Connect the Cable to the Outdoor Unit


- 1 Remove the control board cover from the unit by loosening the screw.
- 2 **Connection cable** between indoor unit and outdoor unit shall be approved polychloroprene sheathed  $4 \times 1.5 \text{ mm}^2$  (1.0 ~ 1.75HP) or  $4 \times 2.5 \text{ mm}^2$  (2.0 ~ 2.5HP) flexible cord, type designation 60245 IEC 57 or heavier cord. Do not use joint connection cable. Replace the wire if the existing wire (from concealed wiring, or otherwise) is too short. Allowable connection cable length of each indoor unit shall be 30 m or less.

Terminals on the outdoor unit	1	2	3	
Colour of wires				
Terminals on the indoor unit	1	2	3	

- 3 Secure the cable onto the control board with the holder (clammer).
- 4 Attach the control board cover back to the original position with screw.
- 5 For wire stripping and connection requirement, refer to instruction 11.2.4 of indoor unit.



 **WARNING**

 This equipment must be properly earthed.

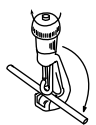
- Earth wire shall be Yellow/Green (Y/G) in colour and longer than other AC wires for safety reason.

### 11.3.5 Piping Insulation

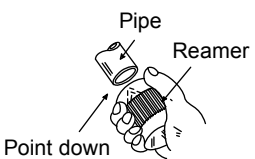
- 1 Please carry out insulation at pipe connection portion as mentioned in Indoor/Outdoor Unit Installation Diagram. Please wrap the insulated piping end to prevent water from going inside the piping.
- 2 If drain hose or connecting piping is in the room (where dew may form), please increase the insulation by using POLY-E FOAM with thickness 6 mm or above.

#### 11.3.5.1 Cutting and flaring the piping

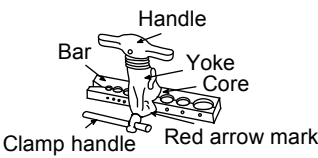
- 1 Please cut using pipe cutter and then remove the burrs.
- 2 Remove the burrs by using reamer. If burrs are not removed, gas leakage may be caused. Turn the piping end down to avoid the metal powder entering the pipe.
- 3 Please make flare after inserting the flare nut onto the copper pipes.



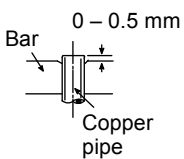
1. To cut



2. To remove burrs

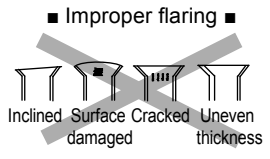


3. To flare



0 - 0.5 mm  
Copper pipe

■ Improper flaring ■



Inclined Surface damaged  
Cracked  
Uneven thickness

When properly flared, the internal surface of the flare will evenly shine and be of even thickness. Since the flare part comes into contact with the connections, carefully check the flare finish.

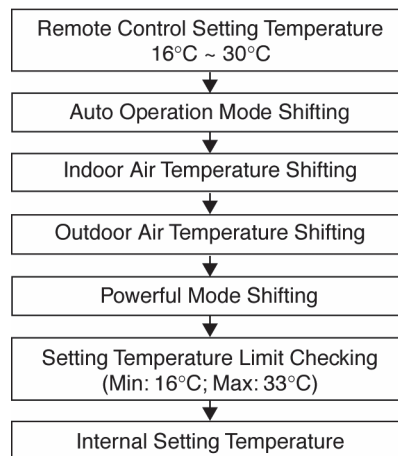
## 12. Operation Control

### 12.1 Basic Function

Inverter control, which equipped with a microcomputer in determining the most suitable operating mode as time passes, automatically adjusts output power for maximum comfort always. In order to achieve the suitable operating mode, the microcomputer maintains the set temperature by measuring the temperature of the environment and performing temperature shifting. The compressor at outdoor unit is operating following the frequency instructed by the microcomputer at indoor unit that judging the condition according to internal setting temperature and intake air temperature.

#### 12.1.1 Internal Setting Temperature

Once the operation starts, remote control setting temperature will be taken as base value for temperature shifting processes. These shifting processes are depending on the air conditioner settings and the operation environment. The final shifted value will be used as internal setting temperature and it is updated continuously whenever the electrical power is supplied to the unit.



#### 12.1.2 Cooling Operation

##### 12.1.2.1 Thermostat control

- Compressor is OFF when Intake Air Temperature - Internal Setting Temperature < -1.5°C continue for 3 minutes.
- When compressor is OFF (Thermostat OFF) and AUTO FAN is set, the fan will stop periodically.
- Compressor is ON after waiting for 3 minutes, if the Intake Air Temperature - Internal Setting Temperature > Compressor OFF point.

#### 12.1.3 Soft Dry Operation

##### 12.1.3.1 Thermostat control

- Compressor is OFF when Intake Air Temperature - Internal Setting Temperature < -2.0°C continue for 3 minutes.
- When compressor is OFF (Thermostat OFF) and AUTO FAN is set, the fan will stop periodically.
- Compressor is ON after waiting for 3 minutes, if the Intake Air Temperature - Internal Setting Temperature > Compressor OFF point.

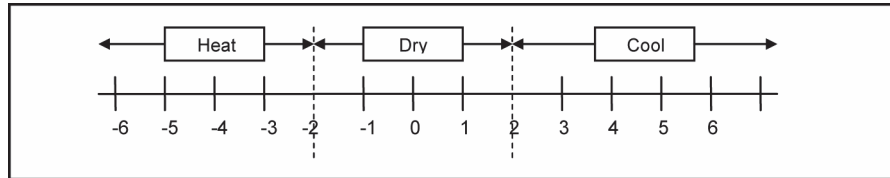
#### 12.1.4 Heating Operation

##### 12.1.4.1 Thermostat control

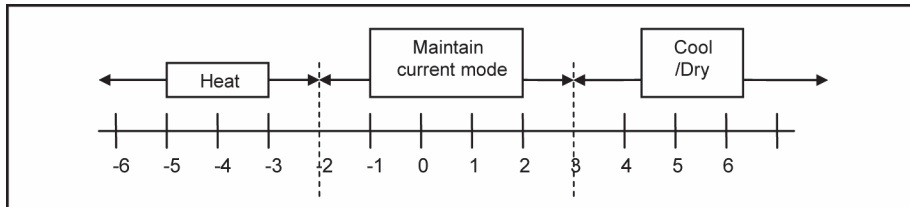
- Compressor is OFF when Intake Air Temperature - Internal Setting Temperature > +2.0°C continue for 3 minutes.
- Compressor is ON after waiting for 3 minutes, if the Intake Air Temperature - Internal Setting Temperature < Compressor OFF point.

### 12.1.5 Automatic Operation

- This mode can be set using remote control and the operation is decided by remote control setting temperature, remote control operation mode and indoor intake air temperature.
- During operation mode judgment, indoor fan motor (with speed of Lo-) is running for 30 seconds to detect the indoor intake air temperature.
- Every 10 minutes, the indoor temperature is judged.
- For the 1st judgment
  - If indoor intake temperature - remote control setting temperature  $\geq 2^{\circ}\text{C}$ , COOL mode is decided.
  - If  $-2^{\circ}\text{C} \leq$  indoor intake temperature - remote control setting temperature  $< 2^{\circ}\text{C}$ , DRY mode is decided.
  - If indoor intake temperature - remote control setting temperature  $< -2^{\circ}\text{C}$ , HEAT mode is decided.



- For the 2nd judgment onwards
  - If indoor intake temperature - remote control setting temperature  $\geq 3^{\circ}\text{C}$ , if previous operate in DRY mode, then continue in DRY mode. otherwise COOL mode is decided.
  - If  $-2^{\circ}\text{C} \leq$  indoor intake temperature - remote control setting temperature  $< 3^{\circ}\text{C}$ , maintain with previous mode
  - If indoor intake temperature - remote control setting temperature  $< -2^{\circ}\text{C}$ , HEAT mode is decided.



## 12.2 Indoor Fan Motor Operation

### 12.2.1 Basic Rotation Speed (rpm)

#### A. Basic Rotation Speed (rpm)

##### i. Manual Fan Speed

[Cooling, Dry]

- Fan motor's number of rotation is determined according to remote control setting.

Remote control	○	○	○	○	○
Tab	Hi	Me	Me-	Lo	QLo

[Heating]

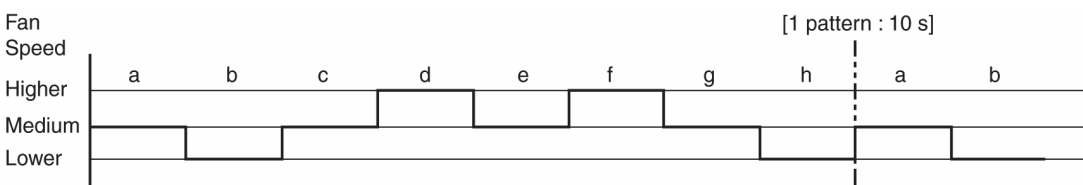
- Fan motor's number of rotation is determined according to remote control setting.

Remote control	○	○	○	○	○
Tab	SHi	Me	Me-	Lo	QLo

##### ii Auto Fan Speed

[Cooling, Dry]

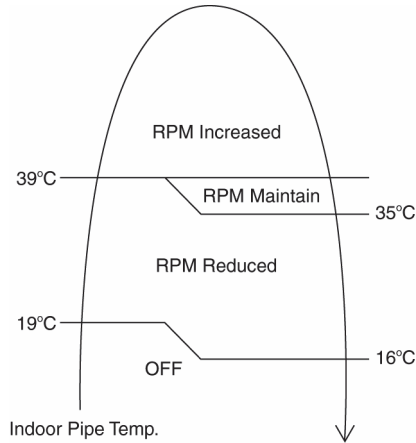
- According to room temperature and setting temperature, indoor fan speed is determined automatically.
- When set temperature is not achieved, the indoor fan will operate according to pattern below.



- When set temperature achieved, the indoor fan speed will be fixed. When thermostat off, the fan stop periodically.

[Heating]

- According to indoor pipe temperature, automatic heating fan speed is determined as follows.

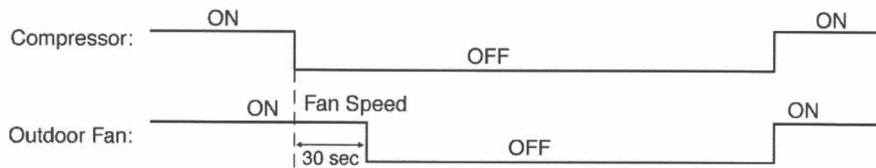


**B. Feedback control**

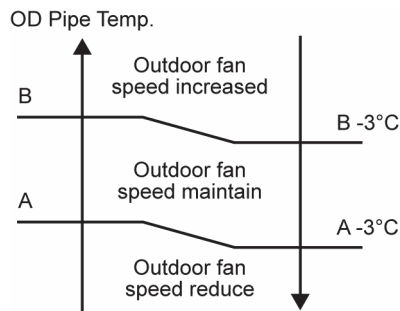
- Immediately after the fan motor started, feedback control is performed once every second.
- During fan motor on, if fan motor feedback  $\geq 2550$  rpm or  $< 50$  rpm continue for 10 seconds, then fan motor error counter increase, fan motor is then stop and restart. If the fan motor counter becomes 7 times, then H19 - fan motor error is detected. Operation stops and cannot on back.

**12.3 Outdoor Fan Motor Operation**

Outdoor fan motor is operated with one fan speed only. It starts when compressor starts operation and it stops 30 seconds after compressor stops operation.

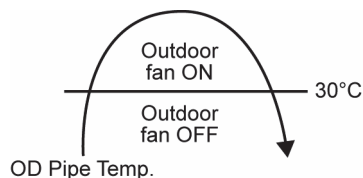


- During cooling operation, and outdoor ambient temperature is below  $8^{\circ}\text{C}$ , outdoor fan speed will be controlled according to outdoor piping temperature as following:



	OD Pipe Temperature
A	$26^{\circ}\text{C}$
B	$33^{\circ}\text{C}$

- During above condition, when indoor heat exchanger temperature is below  $5^{\circ}\text{C}$ , the outdoor fan will stop according to outdoor piping temperature as following:





## 12.4 Airflow Direction

- There are two types of airflow, vertical airflow (directed by horizontal vane) and horizontal airflow (directed by vertical vanes).
- Control of airflow direction can be automatic (angles of direction is determined by operation mode, heat exchanger temperature and intake air temperature) and manual (angles of direction can be adjusted using remote control).

### 12.4.1 Vertical Airflow

Operation Mode			Vane Angle (°)				
			1	2	3	4	5
Cooling	Auto	Usual (Ventilation)	10 ~ 40				
		Control with dew	10 ~ 40				
	Manual	Usual (Ventilation)	10	17.5	25	32.5	40
		Control with dew	10	17.5	25	32.5	40
Dry	Auto	Usual	10 ~ 40				
		Control with dew	10 ~ 40				
	Manual	Usual	10	17.5	25	32.5	40
		Control with dew	10	17.5	25	32.5	40
Heating	Manual	Usual	10	21.2	32.5	43.8	55

- 1 Automatic vertical airflow direction can be set using remote control; the vane swings up and down within the angles as stated above. For heating mode operation, the angle of the vane depends on the indoor heat exchanger temperature as Figure 1 below. It does not swing during fan motor stop. When the air conditioner is stopped using remote control, the vane will shift to close position.
- 2 Manual vertical airflow direction can be set using remote control; the angles of the vane are as stated above and the positions of the vane are as Figure 2 below. When the air conditioner is stopped using remote control, the vane will shift to close position.

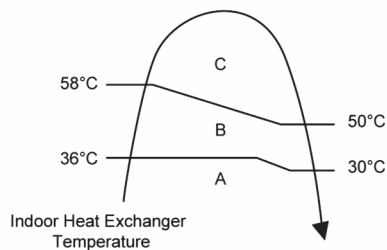


Figure 1

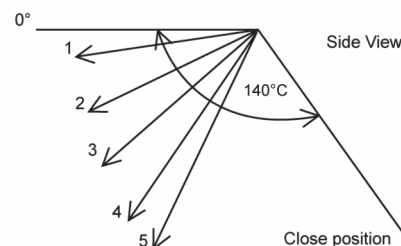


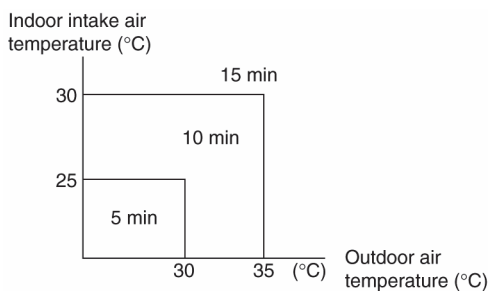
Figure 2

## 12.5 ON Timer Control

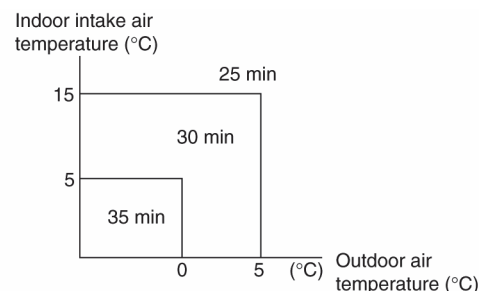
ON timer can be set using remote control, the unit with timer set will start operate earlier than the setting time. This is to provide a comfortable environment when reaching the set ON time.

60 minutes before the set time, indoor (at fan speed of Lo-) and outdoor fan motor start operate for 30 seconds to determine the indoor intake air temperature and outdoor air temperature in order to judge the operation starting time.

From the above judgment, the decided operation will start operate earlier than the set time as shown below.



Cooling/Soft Dry



Heating

## 12.6 OFF Timer Control

OFF timer can be set using remote control, the unit with timer set will stop operate at set time.

## 12.7 Auto Restart Control

- When the power supply is cut off during the operation of air conditioner, the compressor will re-operate within three to four minutes (there are 10 patterns between 2 minutes 58 seconds and 3 minutes 52 seconds to be selected randomly) after power supply resumes.
- This type of control is not applicable during ON/OFF Timer setting.
- This control can be omitted by open the circuit of JP1 at indoor unit printed circuit board.

## 12.8 Indication Panel

LED	POWER	TIMER
Color	Green	Orange
Light ON	Operation ON	Timer Setting ON
Light OFF	Operation OFF	Timer Setting OFF

Note:

- If POWER LED is blinking, the possible operation of the unit are Hot Start, during Deice operation, operation mode judgment, or ON timer sampling.
- If Timer LED is blinking, there is an abnormality operation occurs.

# 13. Protection Control

## 13.1 Protection Control For All Operations

### 13.1.1 Restart Control (Time Delay Safety Control)

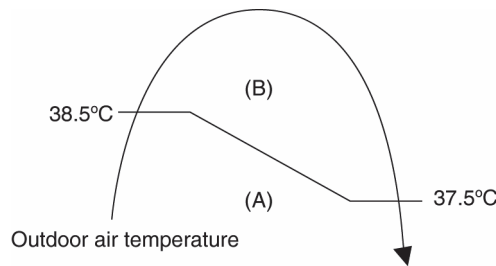
- The Compressor will not turn on within 3 minutes from the moment operation stops, although the unit is turned on again by pressing OFF/ON button at remote control within this period.
- This control is not applicable if the power supply is cut off and on again.
- This phenomenon is to balance the pressure inside the refrigerant cycle.

### 13.1.2 Total Running Current

- 1 When the outdoor unit total running current (AC) exceeds X value, the frequency instructed for compressor operation will be decreased.
- 2 If the running current does not exceed X value for 5 seconds, the frequency instructed will be increased.
- 3 However, if total outdoor unit running current exceeds Y value, compressor will be stopped immediately for 3 minutes.

Model	RE9QKE		RE12QKE		RE15QKE	
	X (A)	Y (A)	X (A)	Y (A)	X (A)	Y (A)
Cooling / Soft Dry (A)	4.41	15.02	6.07	15.02	7.94	15.02
Cooling / Soft Dry (B)	3.94		5.52		7.42	
Cooling / Soft Dry (C)	3.94		5.52		7.42	
Heating	4.65		6.00		9.13	

- 4 The first 30 minutes of cooling operation, (A) will be applied.

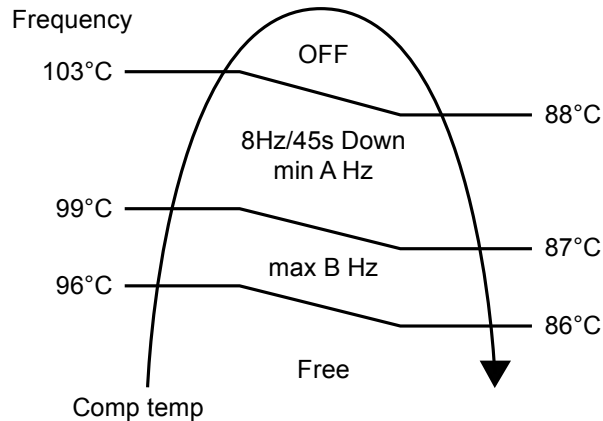


### 13.1.3 IPM (Power transistor) Prevention Control

- Overheating Prevention Control
  - 1 When the IPM temperature rises to 120°C, compressor operation will stop immediately.
  - 2 Compressor operation restarts after 3 minutes the temperature decreases to 110°C.
  - 3 If this condition repeats continuously 4 times within 20 minutes, timer LED will be blinking (“F96” is indicated).
- DC Peak Current Control
  - 1 When electric current to IPM exceeds set value of 16.0 ± 2.0A, the compressor will stop operate. Then, operation will restart after 3 minutes.
  - 2 If the set value is exceeded again more than 30 seconds after the compressor starts, the operation will restart after 3 minute.
  - 3 If the set value exceeded again within 30 seconds after the compressor starts, the operation will restart after 1 minute. If this condition repeats continuously for 7 times, all indoor and outdoor relays will be cut off, timer LED will be blinking (“F99” is indicated).

### 13.1.4 Compressor Overheating Prevention Control

- Instructed frequency for compressor operation will be regulated by compressor discharge temperature. The changes of frequency are as below.
- If compressor discharge temperature exceeds 103°C, compressor will be stopped, occurs 4 times per 20 minutes, timer LED will be blinking. ("F97" is indicated.)



### 13.1.5 Low Pressure Prevention Control (Gas Leakage Detection)

- Control start conditions
  - For 5 minutes, the compressor continuously operates and outdoor total current is between 1.22A and 1.38A.
  - During Cooling and Soft Dry operations:  
Indoor suction temperature - indoor piping temperature is below 4°C.
  - During Heating operations :  
Indoor piping temperature - indoor suction is under 5°C.
- Control contents
  - Compressor stops (and restart after 3 minutes).
  - If the conditions above happen 2 times within 20 minutes, the unit will:
    - Stop operation
    - Timer LED blinks and "F91" indicated.

### 13.1.6 Low Frequency Protection Control 1

- When the compressor operate at frequency lower than 24 Hz continued for 20 minutes, the operation frequency will be changed to 23 Hz for 2 minutes.

### 13.1.7 Low Frequency Protection Control 2

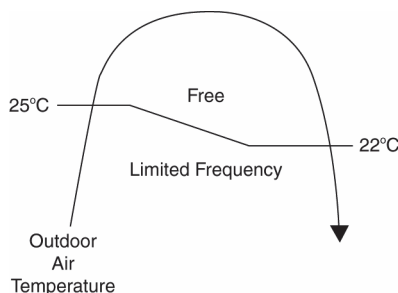
- When all the below conditions comply, the compressor frequency will change to lower frequency.

Temperature, T, for:	Cooling/Soft Dry	Heating
Indoor intake air (°C)	T < 14 or T ≥ 30	T < 14 or T ≥ 28
Outdoor air (°C)	T < 13 or T ≥ 38	T < 4 or T ≥ 24
Indoor heat exchanger (°C)	T < 30	T ≥ 0

## 13.2 Protection Control For Cooling & Soft Dry Operation

### 13.2.1 Outdoor Air Temperature Control

- The compressor operating frequency is regulated in accordance to the outdoor air temperature as shown in the diagram below.
- This control will begin 1 minute after the compressor starts.
- Compressor frequency will adjust base on outdoor air temperature.



### 13.2.2 Cooling Overload Control

- Detects the Outdoor pipe temperature and carry out below restriction/limitation (Limit the compressor Operation frequency).
- The compressor stop if outdoor pipe temperature exceeds 61°C.
- If the compressor stops 4 times in 20 minutes, Timer LED blinking (F95 indicated: outdoor high pressure rise protection).

### 13.2.3 Freeze Prevention Control 1

- When indoor heat exchanger temperature is lower than 0°C continuously for 6 minutes, compressor will stop operating.
- Compressor will resume its operation 3 minutes after the indoor heat exchanger is higher than 5°C.
- At the same time, indoor fan speed will be higher than during its normal operation.
- If indoor heat exchanger temperature is higher than 5°C for 5 minutes, the fan speed will return to its normal operation.

### 13.2.4 Freeze Prevention Control 2

- Control start conditions
  - During Cooling operation and soft dry operation
    - During thermo OFF condition, indoor intake temperature is less than 10°C or
    - Compressor stops for freeze prevention control
  - Either one of the conditions above occurs 5 times in 60 minutes.
- Control contents
  - Operation stops
  - Timer LED blinks and "H99" indicated

### 13.2.5 Dew Prevention Control 1

- To prevent dew formation at indoor unit discharge area.
- This control will be activated if:
  - Outdoor air temperature and Indoor pipe temperature judgment by microcontroller is fulfilled.
  - When Cooling or Dry mode is operated more than 20 minutes or more.
- This control stopped if:
  - Compressor stopped.
  - Remote control setting changed (fan speed / temperature).
  - Outdoor air temperature and indoor intake temperature changed.
- Fan speed will be adjusted accordingly in this control.

### 13.2.6 Odor Cut Control

- To reduce the odor released from the unit.
  - Start Condition
    - AUTO FAN Speed is selected during COOL or DRY operation.
    - During freeze prevention control and timer preliminary operation, this control is not applicable.
  - Control content
    - Depends on compressor conditions:
      1. Compressor OFF → Compressor ON.  
The indoor unit fan stops temporarily and then starts to blow at minimum airflow for 30 seconds.
      2. Compressor ON → Compressor OFF.  
The indoor unit fan stops for 90 seconds and then blows at minimum airflow for 20 seconds.

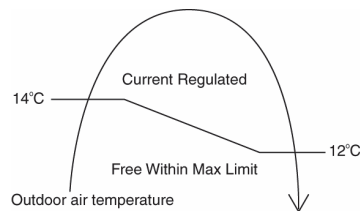
## 13.3 Protection Control For Heating Operation

### 13.3.1 Intake Air Temperature Control

Compressor will operate at limited freq., if indoor intake air temperature is 30°C or above.

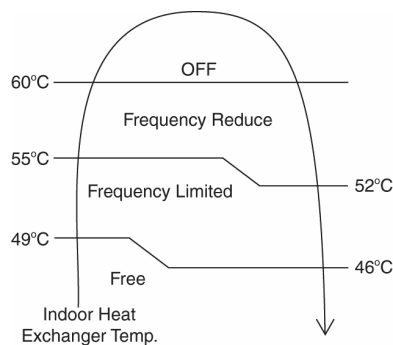
### 13.3.2 Outdoor Air Temperature Control

- The Max current value is regulated when the outdoor air temperature rise above 14°C in order to avoid compressor overloading.



### 13.3.3 Overload Protection Control

- The compressor operating frequency is regulated in accordance to indoor heat exchanger temperature as shown below.
- If the heat exchanger temperature exceeds 60°C, compressor will stop.



### 13.3.4 Low Temperature Compressor Oil Return Control

- In heating operation, if the outdoor temperature falls below -10°C when compressor starts, the compressor frequency will be regulated up to 600 seconds.

### 13.3.5 Cold Draught Prevention Control

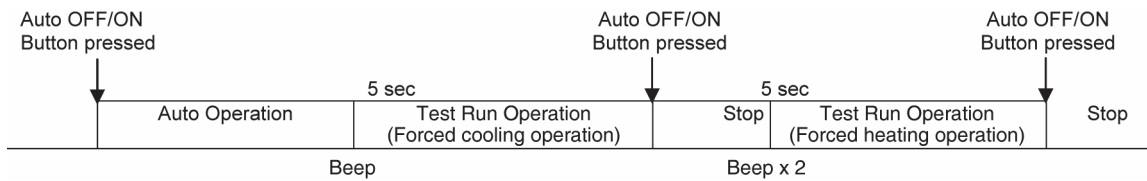
- When indoor pipe temperature is low, cold draught operation starts where indoor fan speed will be reduced.

### 13.3.6 Deice Operation

- When outdoor pipe temperature and outdoor air temperature is low, deice operation start where indoor fan motor and outdoor fan motor stop and operation LED blinks.

# 14. Servicing Mode

## 14.1 Auto OFF/ON Button



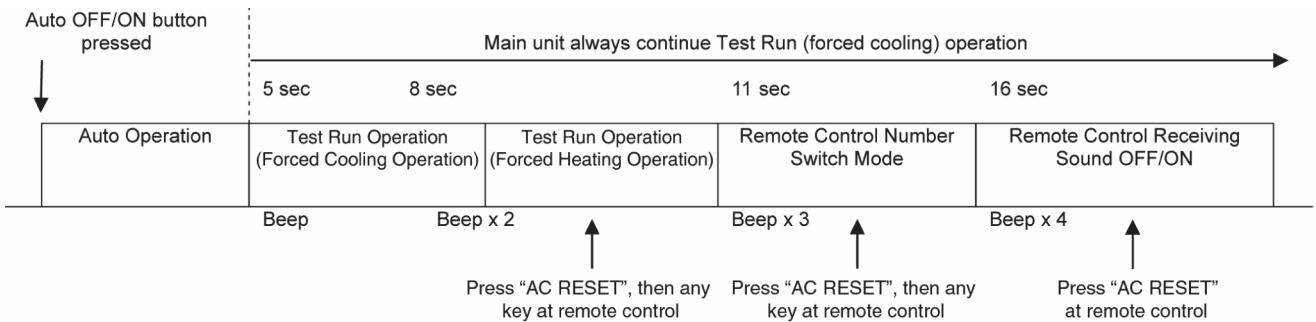
### 1 AUTO OPERATION MODE

The Auto operation will be activated immediately once the Auto OFF/ON button is pressed. This operation can be used to operate air conditioner with limited function if remote control is misplaced or malfunction.

### 2 TEST RUN OPERATION (FOR PUMP DOWN/SERVICING PURPOSE)

The Test Run operation will be activated if the Auto OFF/ON button is pressed continuously for more than 5 seconds. A “beep” sound will heard at the fifth seconds, in order to identify the starting of Test Run operation (Forced cooling operation). Within 5 minutes after Forced cooling operation start, the Auto OFF/ON button is pressed for more than 5 seconds. A 2 “beep” sounds will heard at the fifth seconds, in order to identify the starting of Forced heating operation.

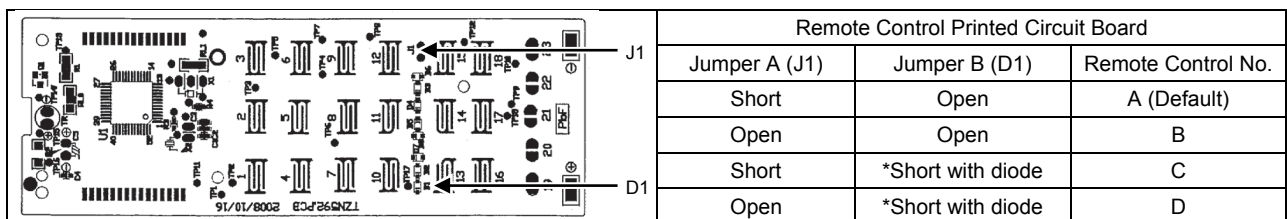
The Auto OFF/ON button may be used together with remote control to set / change the advance setting of air conditioner operation.



### 3 REMOTE CONTROL NUMBER SWITCH MODE

The Remote Control Number Switch Mode will be activated if the Auto OFF/ON button is pressed continuously for more than 11 seconds (3 “beep” sounds will occur at 11th seconds to identify the Remote Control Number Switch Mode is in standby condition) and press “AC RESET” button and then press any button at remote control to transmit and store the desired transmission code to the EEPROM.

There are 4 types of remote control transmission code could be selected and stored in EEPROM of indoor unit. The indoor unit will only operate when received signal with same transmission code from remote control. This could prevent signal interference when there are 2 or more indoor units installed nearby together. To change remote control transmission code, short or open jumpers at the remote control printed circuit board.



- During Remote Control Number Switch Mode, press any button at remote control to transmit and store the transmission code to the EEPROM.

#### 4 REMOTE CONTROL RECEIVING SOUND OFF/ON MODE

The Remote Control Receiving Sound OFF/ON Mode will be activated if the Auto OFF/ON button is pressed continuously for more than 16 seconds (4 “beep” sounds will occur at 16th seconds to identify the Remote Control Receiving Sound Off/On Mode is in standby condition) and press “AC Reset” button at remote control.

Press “Auto OFF/ON button” to toggle remote control receiving sound.

- Short “beep”: Turn OFF remote control receiving sound.
- Long “beep”: Turn ON remote control receiving sound.

After Auto OFF/ON Button is pressed, the 20 seconds counter for Remote Control Receiving Sound OFF/ON Mode is restarted.

## **14.2 Remote Control Button**

### **14.2.1 SET Button**

- To check remote control transmission code and store the transmission code to EEPROM:
  - Press “Set” button continuously for 10 seconds by using pointer.
  - Press “Timer Set” button until a “beep” sound is heard as confirmation of transmission code changed.

### **14.2.2 RESET (RC)**

- To clear and restore the remote control setting to factory default.
  - Press once to clear the memory.

### **14.2.3 RESET (AC)**

- To restore the unit’s setting to factory default.
  - Press once to restore the unit’s setting.
  -

### **14.2.4 TIMER ▲**

- To change indoor unit indicator’s LED intensity.
  - Press continuously for 5 seconds.

### **14.2.5 TIMER ▼**

- To change remote control display from Degree Celsius (°C) to Degree Fahrenheit (°F).
  - Press continuously for 10 seconds.



# 15. Troubleshooting Guide

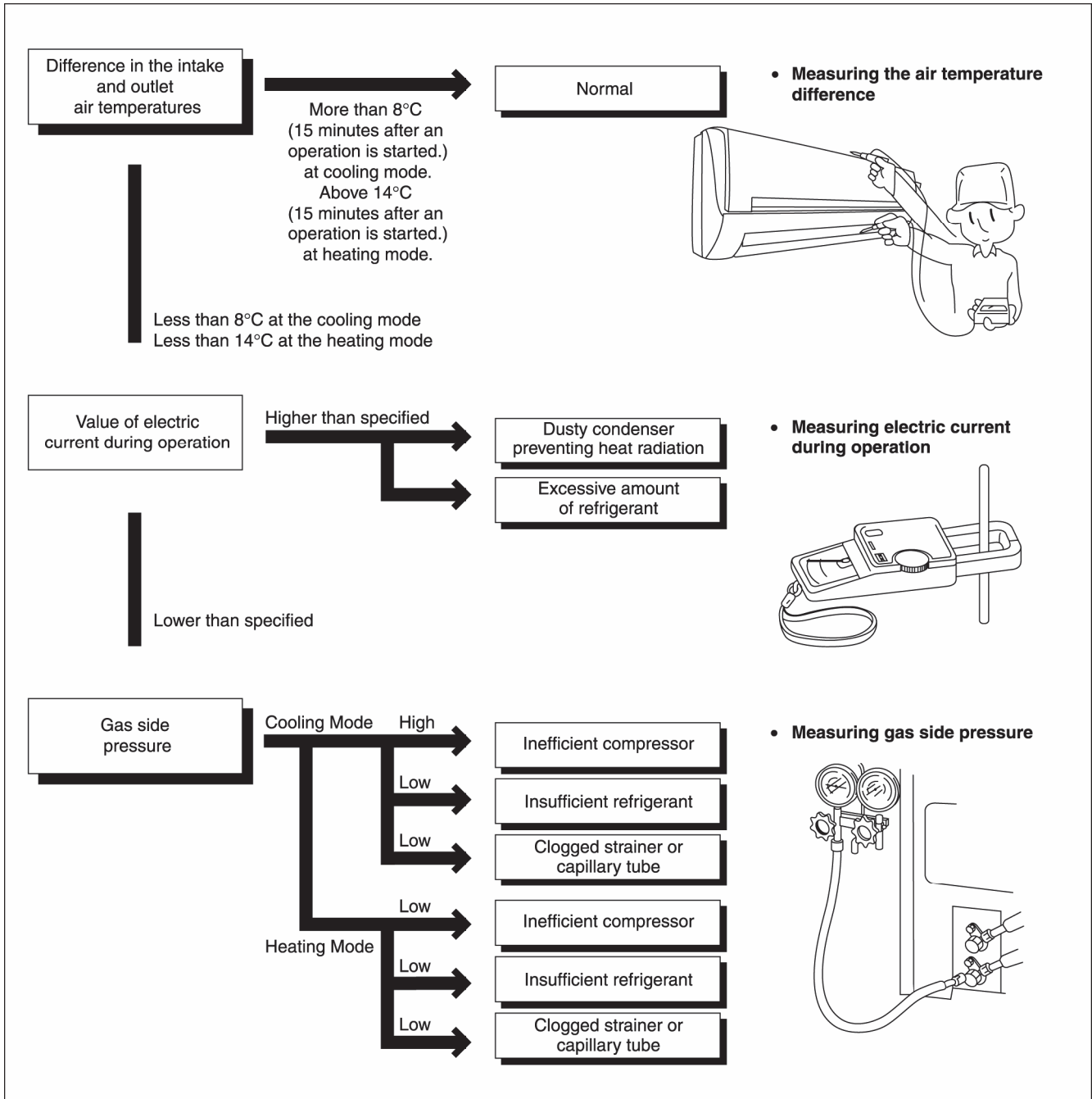
## 15.1 Refrigeration Cycle System

In order to diagnose malfunctions, make sure that there are no electrical problems before inspecting the refrigeration cycle. Such problems include insufficient insulation, problem with the power source, malfunction of a compressor and a fan. The normal outlet air temperature and pressure of the refrigeration cycle depends on various conditions, the standard values for them are shown in the table on the right.

Normal Pressure and Outlet Air Temperature (Standard)

	Gas pressure MPa (kg/cm <sup>2</sup> G)	Outlet air temperature (°C)
Cooling Mode	0.9 ~ 1.2 (9 ~ 12)	12 ~ 16
Heating Mode	2.3 ~ 2.9 (23 ~ 29)	36 ~ 45

- ★ Condition:
- Indoor fan speed; High
  - Outdoor temperature 35°C at cooling mode and 7°C at heating mode.
  - Compressor operates at rated frequency



## 15.2 Relationship Between The Condition Of The Air Conditioner And Pressure And Electric Current

Condition of the air conditioner	Cooling Mode			Heating Mode		
	Low Pressure	High Pressure	Electric current during operation	Low Pressure	High Pressure	Electric current during operation
Insufficient refrigerant (gas leakage)	↘	↘	↘	↘	↘	↘
Clogged capillary tube or Strainer	↘	↘	↘	↗	↗	↗
Short circuit in the indoor unit	↘	↘	↘	↗	↗	↗
Heat radiation deficiency of the outdoor unit	↗	↗	↗	↘	↘	↘
Inefficient compression	↗	↘	↘	↗	↘	↘

- Carry out the measurements of pressure, electric current, and temperature fifteen minutes after an operation is started.

## 15.3 Breakdown Self Diagnosis Function

### 15.3.1 Self Diagnosis Function (Three Digits Alphanumeric Code)

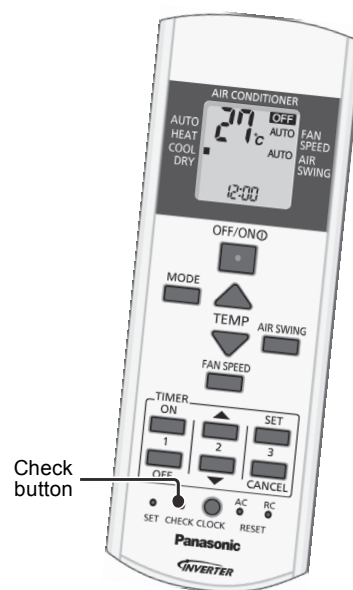
- Once abnormality has occurred during operation, the unit will stop its operation, and Timer LEDs blink.
  - Although Timer LED goes off when power supply is turned off, if the unit is operated under a breakdown condition, the LED will light up again.
  - In operation after breakdown repair, the Timer LED will no more blink. The last error code (abnormality) will be stored in IC memory.
- 6 When the latest abnormality code on the main unit and code transmitted from the remote controller are matched, power LED will light up for 30 seconds and a beep sound (continuously for 4 seconds) will be heard. If no codes are matched, power LED will light up for 0.5 seconds and no sound will be heard.
  - 7 The breakdown diagnosis mode will be canceled unless pressing the CHECK button continuously for 5 seconds or operating the unit for 30 seconds.
  - 8 The same diagnosis can be repeated by turning power on again.

### 15.3.2 To Make a Diagnosis

- 1 Timer LED start to blink and the unit automatically stops the operation.
- 2 Press the CHECK button on the remote controller continuously for 5 seconds.
- 3 “- -” will be displayed on the remote controller display.  
Note: Display only for “- -”. (No transmitting signal, no receiving sound and no Power LED blinking.)
- 4 Press the “TIMER” ▲ or ▼ button on the remote controller. The code “H00” (no abnormality) will be displayed and signal will be transmitted to the main unit.
- 5 Every press of the button (up or down) will increase abnormality numbers and transmit abnormality code signal to the main unit.
- 6 When the latest abnormality code on the main unit and code transmitted from the remote controller are matched, power LED will light up for 30 seconds and a beep sound (continuously for 4 seconds) will be heard. If no codes are matched, power LED will light up for 0.5 seconds and no sound will be heard.
- 7 The breakdown diagnosis mode will be canceled by pressing the CHECK button continuously for 5 seconds or without any operation the remote control for 30 seconds.
- 8 The LED will be off if the unit is turned off or the RESET button on the main unit is pressed.

### 15.3.3 To Display Memorized Error Code (Protective Operation) status:

- 1 Turn power on.
- 2 Press the CHECK button on the remote controller continuously for 5 seconds.
- 3 “- -” will be displayed on the remote controller display.  
Note: Display only for “- -”. (No transmitting signal, no receiving sound and no Power LED blinking.)
- 4 Press the “TIMER” ▲ or ▼ button on the remote controller. The code “H00” (no abnormality) will be displayed and signal will be transmitted to the main unit. The power LED lights up. If no abnormality is stored in the memory, three beeps sound will be heard.
- 5 Every press of the button (up or down) will increase abnormality numbers and transmit abnormality code signal to the main unit.



### 15.3.4 To Clear Memorized Error (Protective Operation) Status after Repair:

- 1 Turn power on (in standby condition).
- 2 Press the AUTO button for 5 seconds (A beep receiving sound) on the main unit to operate the unit at Forced Cooling Operation mode.
- 3 Press the CHECK button on the remote controller for about 1 second with a pointed object to transmit signal to main unit. A beep sound is heard from main unit and the data is cleared.

### 15.3.5 Temporary Operation (Depending On Breakdown Status)

- 1 Press the AUTO button (A beep receiving sound) on the main unit to operate the unit. (Remote control will become possible.)
- 2 The unit can temporarily be used until repaired.

Error Code	Operation	Temporary items
H23	Cooling	Emergency Operation with limited power
H27, H28	Cooling, Heating	
H26	Cooling, Heating	

## 15.4 Error Codes Table

Diagnosis display	Abnormality / Protection control	Abnormality Judgment	Protection Operation	Problem	Check location
H00	No memory of failure	—	Normal operation	—	—
H11	Indoor/outdoor abnormal communication	After operation for 1 minute	Indoor fan only operation can start by entering into force cooling operation	Indoor/outdoor communication not establish	<ul style="list-style-type: none"> <li>Indoor/outdoor wire terminal</li> <li>Indoor/outdoor PCB</li> <li>Indoor/outdoor connection wire</li> </ul>
H12	Indoor unit capacity unmatched	90s after power supply	—	Total indoor capability more than maximum limit or less than minimum limit, or number of indoor unit less than two	<ul style="list-style-type: none"> <li>Indoor/outdoor connection wire</li> <li>Indoor/outdoor PCB</li> <li>Specification and combination table in catalogue</li> </ul>
H14	Indoor intake air temperature sensor abnormality	Continuous for 5s	—	Indoor intake air temperature sensor open or short circuit	<ul style="list-style-type: none"> <li>Indoor intake air temperature sensor lead wire and connector</li> </ul>
H15	Compressor temperature sensor abnormality	Continuous for 5s	—	Compressor temperature sensor open or short circuit	<ul style="list-style-type: none"> <li>Compressor temperature sensor lead wire and connector</li> </ul>
H16	Outdoor current transformer (CT) abnormality	—	—	Current transformer faulty or compressor faulty	<ul style="list-style-type: none"> <li>Outdoor PCB faulty or compressor faulty</li> </ul>
H19	Indoor fan motor mechanism lock	Continuous happen for 7 times	—	Indoor fan motor lock or feedback abnormal	<ul style="list-style-type: none"> <li>Fan motor lead wire and connector</li> <li>Fan motor lock or block</li> </ul>
H23	Indoor heat exchanger temperature sensor abnormality	Continuous for 5s	—	Indoor heat exchanger temperature sensor open or short circuit	<ul style="list-style-type: none"> <li>Indoor heat exchanger temperature sensor lead wire and connector</li> </ul>
H24	Indoor heat exchanger temperature sensor 2 abnormality	Continuous for 5s	—	Indoor heat exchanger temperature sensor 2 open or short circuit	<ul style="list-style-type: none"> <li>Indoor heat exchanger temperature sensor 2 lead wire and connector</li> </ul>
H25	Indoor ion device abnormality	Port is ON for 10s during ion device off	—	—	<ul style="list-style-type: none"> <li>ion device PCB</li> </ul>
H27	Outdoor air temperature sensor abnormality	Continuous for 5s	—	Outdoor air temperature sensor open or short circuit	<ul style="list-style-type: none"> <li>Outdoor air temperature sensor lead wire and connector</li> </ul>
H28	Outdoor heat exchanger temperature sensor 1 abnormality	Continuous for 5s	—	Outdoor heat exchanger temperature sensor 1 open or short circuit	<ul style="list-style-type: none"> <li>Outdoor heat exchanger temperature sensor 1 lead wire and connector</li> </ul>
H30	Outdoor discharge pipe temperature sensor abnormality	Continuous for 5s	—	Outdoor discharge pipe temperature sensor open or short circuit	<ul style="list-style-type: none"> <li>Outdoor discharge pipe temperature sensor lead wire and connector</li> </ul>
H32	Outdoor heat exchanger temperature sensor 2 abnormality	Continuous for 5s	—	Outdoor heat exchanger temperature sensor 2 open or short circuit	<ul style="list-style-type: none"> <li>Outdoor heat exchanger temperature sensor 2 lead wire and connector</li> </ul>
H33	Indoor / outdoor misconnection abnormality	—	—	Indoor and outdoor rated voltage different	<ul style="list-style-type: none"> <li>Indoor and outdoor units check</li> </ul>
H34	Outdoor heat sink temperature sensor abnormality	Continuous for 2s	—	Outdoor heat sink temperature sensor open or short circuit	<ul style="list-style-type: none"> <li>Outdoor heat sink sensor</li> </ul>
H36	Outdoor gas pipe temperature sensor abnormality	Continuous for 5s	Heating protection operation only	Outdoor gas pipe temperature sensor open or short circuit	<ul style="list-style-type: none"> <li>Outdoor gas pipe temperature sensor lead wire and connector</li> </ul>
H37	Outdoor liquid pipe temperature sensor abnormality	Continuous for 5s	Cooling protection operation only	Outdoor liquid pipe temperature sensor open or short circuit	<ul style="list-style-type: none"> <li>Outdoor liquid pipe temperature sensor lead wire and connector</li> </ul>
H38	Indoor/Outdoor mismatch (brand code)	—	—	Brand code not match	<ul style="list-style-type: none"> <li>Check indoor unit and outdoor unit</li> </ul>
H39	Abnormal indoor operating unit or standby units	3 times happen within 40 minutes	—	Wrong wiring and connecting pipe, expansion valve abnormality, indoor heat exchanger sensor open circuit	<ul style="list-style-type: none"> <li>Check indoor/outdoor connection wire and connection pipe</li> <li>Indoor heat exchanger sensor lead wire and connector</li> <li>Expansion valve and lead wire and connector</li> </ul>

Diagnosis display	Abnormality / Protection control	Abnormality Judgment	Protection Operation	Problem	Check location
H41	Abnormal wiring or piping connection	—	—	Wrong wiring and connecting pipe, expansion valve abnormality	<ul style="list-style-type: none"> <li>• Check indoor/outdoor connection wire and connection pipe</li> <li>• Expansion valve and lead wire and connector</li> </ul>
H59	ECONAVI sensor abnormality	Continuous for 25s	—	ECONAVI sensor open or short circuit	<ul style="list-style-type: none"> <li>• ECONAVI sensor (defective or disconnected)</li> <li>• ECONAVI PCB</li> </ul>
H64	Outdoor high pressure sensor abnormality	Continuous for 1 minutes	—	High pressure sensor open circuit during compressor stop	<ul style="list-style-type: none"> <li>• High pressure sensor</li> <li>• Lead wire and connector</li> </ul>
H70	Light sensor abnormality	Continuous for 24 hours, 15days	—	Light sensor open or short circuit	<ul style="list-style-type: none"> <li>• Light sensor (defective or disconnected)</li> </ul>
H97	Outdoor fan motor mechanism lock	2 times happen within 30 minutes	—	Outdoor fan motor lock or feedback abnormal	<ul style="list-style-type: none"> <li>• Outdoor fan motor lead wire and connector</li> <li>• Fan motor lock or block</li> </ul>
H98	Indoor high pressure protection	—	—	Indoor high pressure protection (Heating)	<ul style="list-style-type: none"> <li>• Check indoor heat exchanger</li> <li>• Air filter dirty</li> <li>• Air circulation short circuit</li> </ul>
H99	Indoor operating unit freeze protection	—	—	Indoor freeze protection (Cooling)	<ul style="list-style-type: none"> <li>• Check indoor heat exchanger</li> <li>• Air filter dirty</li> <li>• Air circulation short circuit</li> </ul>
F11	4-way valve switching abnormality	4 times happen within 30 minutes	—	4-way valve switching abnormal	<ul style="list-style-type: none"> <li>• 4-way valve</li> <li>• Lead wire and connector</li> </ul>
F17	Indoor standby units freezing abnormality	3 times happen within 40 minutes	—	Wrong wiring and connecting pipe, expansion valve leakage, indoor heat exchanger sensor open circuit	<ul style="list-style-type: none"> <li>• Check indoor/outdoor connection wire and pipe</li> <li>• Indoor heat exchanger sensor lead wire and connector</li> <li>• Expansion valve lead wire and connector</li> </ul>
F90	Power factor correction (PFC) circuit protection	4 times happen within 10 minutes	—	Power factor correction circuit abnormal	<ul style="list-style-type: none"> <li>• Outdoor PCB faulty</li> </ul>
F91	Refrigeration cycle abnormality	2 times happen within 20 minutes	—	Refrigeration cycle abnormal	<ul style="list-style-type: none"> <li>• Insufficient refrigerant or valve close</li> </ul>
F93	Compressor abnormal revolution	4 times happen within 20 minutes	—	Compressor abnormal revolution	<ul style="list-style-type: none"> <li>• Power transistor module faulty or compressor lock</li> </ul>
F94	Compressor discharge overshoot protection	4 times happen within 30 minutes	—	Compressor discharge pressure overshoot	<ul style="list-style-type: none"> <li>• Check refrigeration system</li> </ul>
F95	Outdoor cooling high pressure protection	4 times happen within 20 minutes	—	Cooling high pressure protection	<ul style="list-style-type: none"> <li>• Check refrigeration system</li> <li>• Outdoor air circuit</li> </ul>
F96	Power transistor module overheating protection	4 times happen within 30 minutes	—	Power transistor module overheat	<ul style="list-style-type: none"> <li>• PCB faulty</li> <li>• Outdoor air circuit (fan motor)</li> </ul>
F97	Compressor overheating protection	3 times happen within 30 minutes	—	Compressor overheat	<ul style="list-style-type: none"> <li>• Insufficient refrigerant</li> </ul>
F98	Total running current protection	3 times happen within 20 minutes	—	Total current protection	<ul style="list-style-type: none"> <li>• Check refrigeration system</li> <li>• Power source or compressor lock</li> </ul>
F99	Outdoor direct current (DC) peak detection	Continuous happen for 7 times	—	Power transistor module current protection	<ul style="list-style-type: none"> <li>• Power transistor module faulty or compressor lock</li> </ul>

## 15.5 Self-diagnosis Method

### 15.5.1 H11 (Indoor/Outdoor Abnormal Communication)

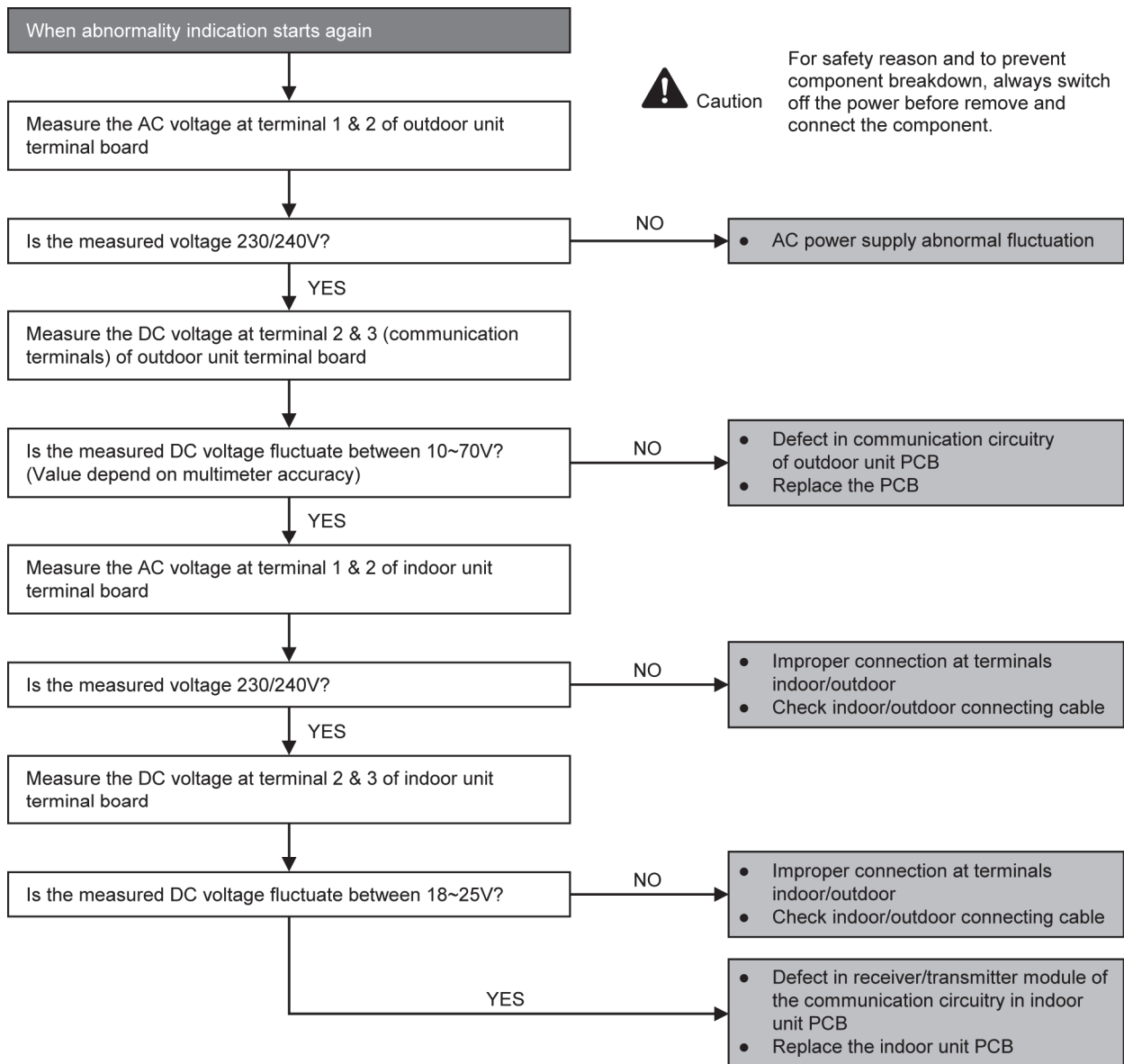
#### Malfunction Decision Conditions

- During startup and operation of cooling and heating, the data received from outdoor unit in indoor unit signal transmission is checked whether it is normal.

#### Malfunction Caused

- Faulty indoor unit PCB.
- Faulty outdoor unit PCB.
- Indoor unit-outdoor unit signal transmission error due to wiring error.
- Indoor unit-outdoor unit signal transmission error due to breaking of wire in the connection wires between the indoor and outdoor units.

#### Troubleshooting



## 15.5.2 H12 (Indoor/Outdoor Capacity Rank Mismatched)

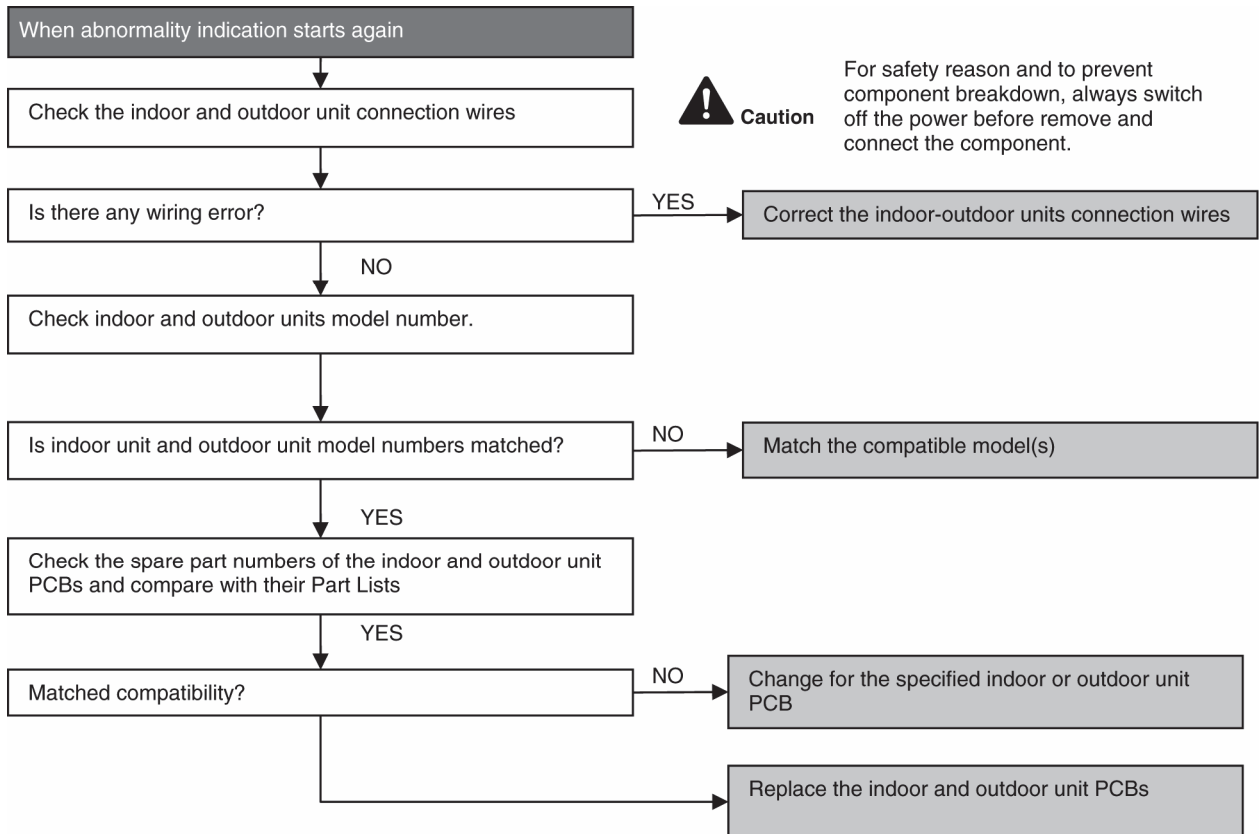
### Malfunction Decision Conditions

- During startup, error code appears when different types of indoor and outdoor units are interconnected.

### Malfunction Caused

- Wrong models interconnected.
- Wrong indoor unit or outdoor unit PCBs mounted.
- Indoor unit or outdoor unit PCBs defective.
- Indoor-outdoor unit signal transmission error due to wrong wiring.
- Indoor-outdoor unit signal transmission error due to breaking of wire 3 in the connection wires between the indoor and outdoor units.

### Troubleshooting



### 15.5.3 H14 (Indoor Intake Air Temperature Sensor Abnormality)

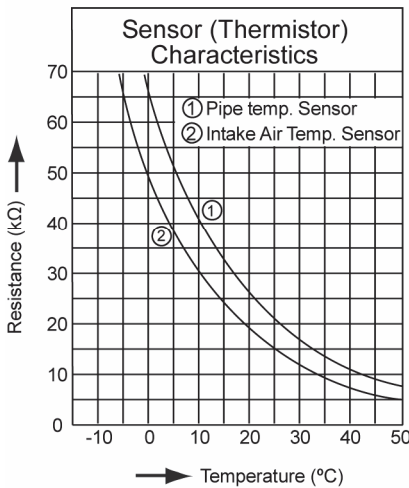
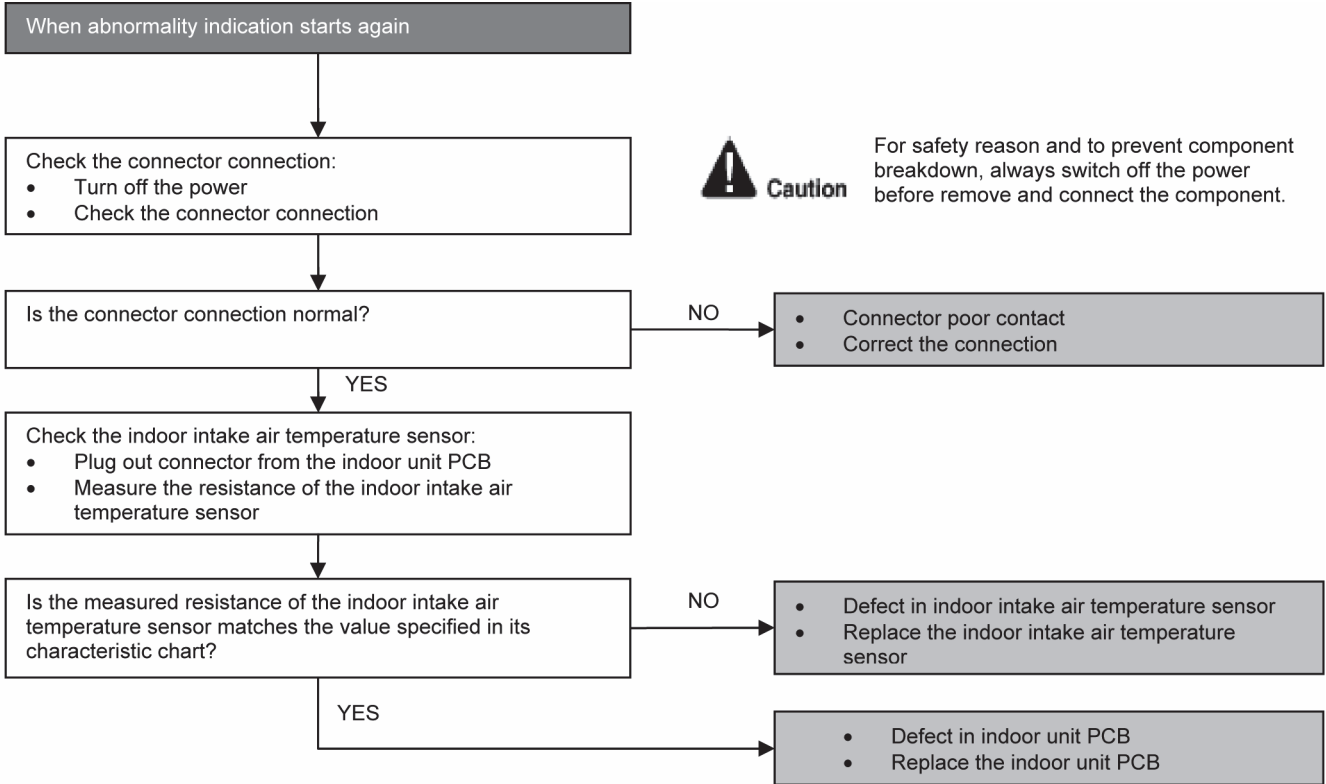
#### Malfunction Decision Conditions

- During startup and operation of cooling and heating, the temperatures detected by the indoor intake air temperature sensor are used to determine sensor errors.

#### Malfunction Caused

- Faulty connector connection.
- Faulty sensor.
- Faulty PCB.

#### Troubleshooting





## 15.5.4 H15 (Compressor Temperature Sensor Abnormality)

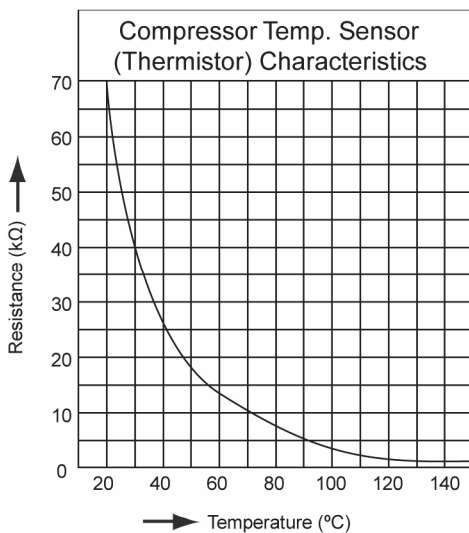
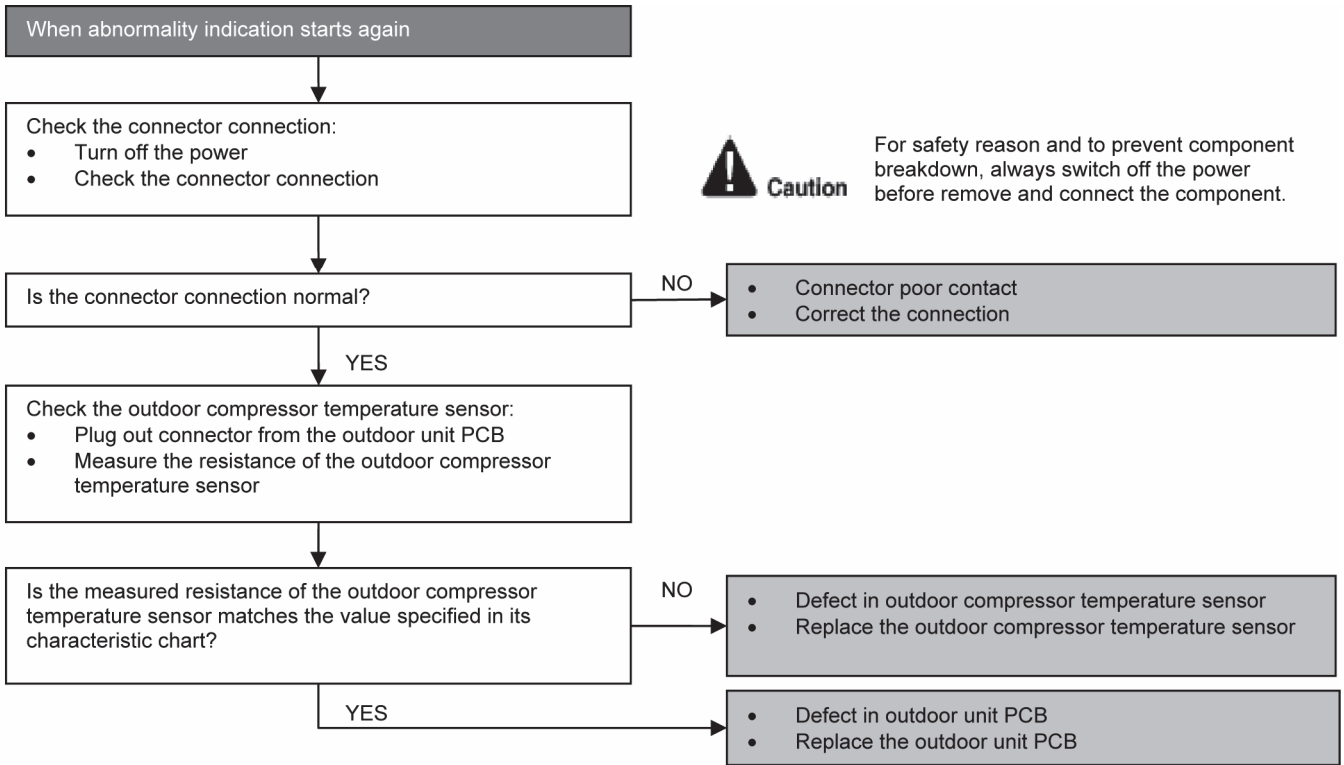
### Malfunction Decision Conditions

- During startup and operation of cooling and heating, the temperatures detected by the outdoor compressor temperature sensor are used to determine sensor errors.

### Malfunction Caused

- Faulty connector connection.
- Faulty sensor.
- Faulty PCB.

### Troubleshooting



## 15.5.5 H16 (Outdoor Current Transformer)

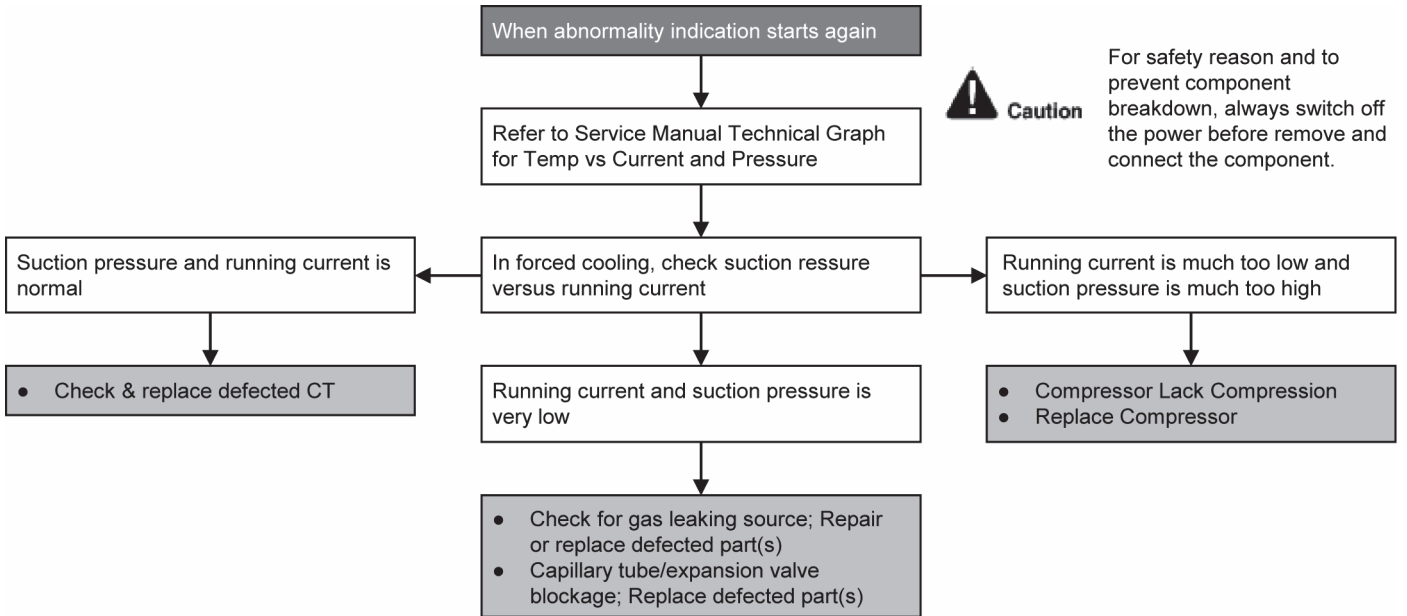
### Malfunction Decision Conditions

- An input current, detected by Current Transformer CT, is below threshold value when the compressor is operating at certain frequency value for 3 minutes.

### Malfunction Caused

- Lack of gas
- Broken CT (current transformer)
- Broken Outdoor PCB

### Troubleshooting



## 15.5.6 H19 (Indoor Fan Motor – DC Motor Mechanism Locked)

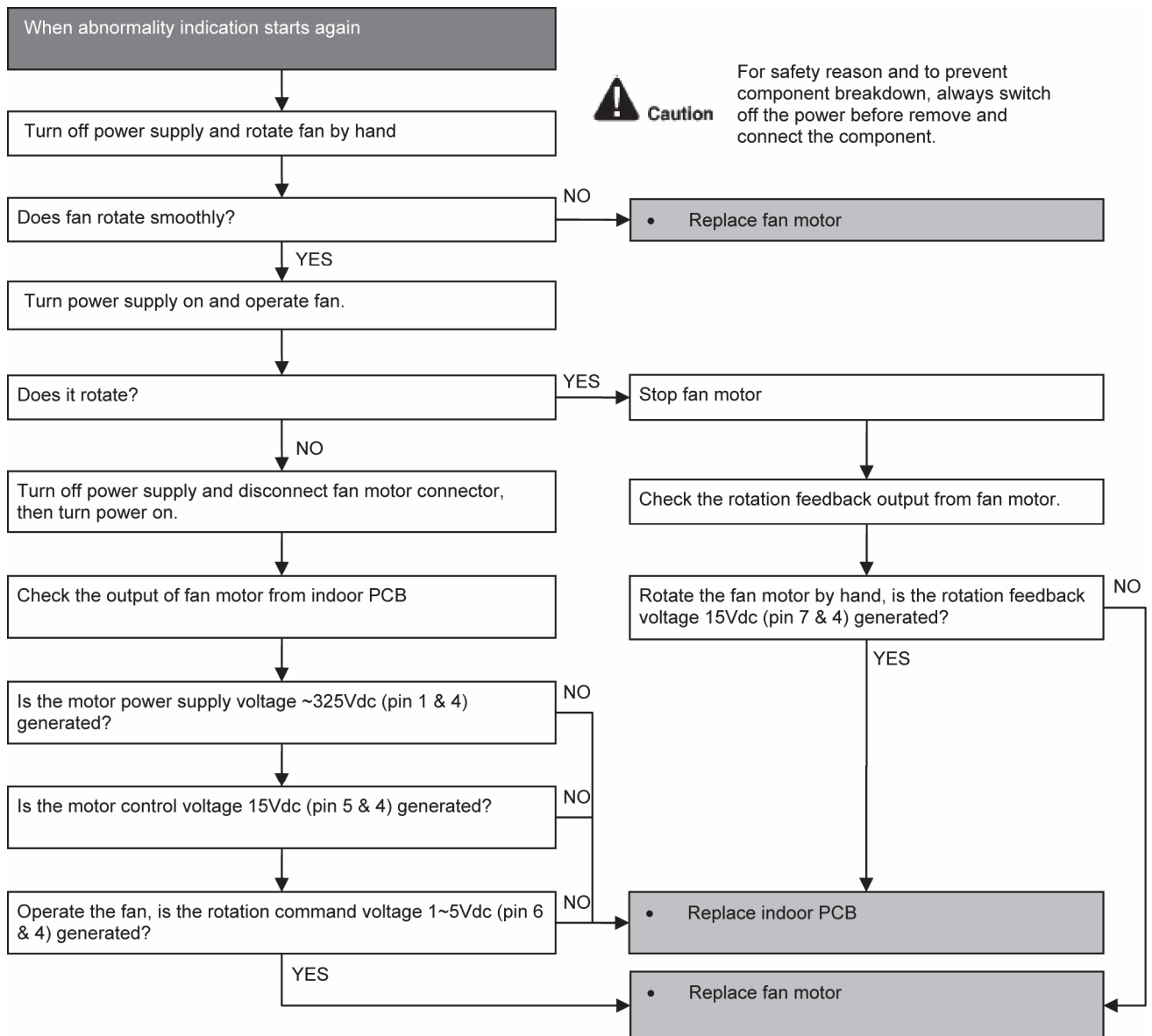
### Malfunction Decision Conditions

- The rotation speed detected by the Hall IC during fan motor operation is used to determine abnormal fan motor (feedback of rotation > 2550rpm or < 50rpm).

### Malfunction Caused

- Operation stops due to short circuit inside the fan motor winding.
- Operation stops due to breaking of wire inside the fan motor.
- Operation stops due to breaking of fan motor lead wires.
- Operation stops due to Hall IC malfunction.
- Operation error due to faulty indoor unit PCB.

### Troubleshooting



## 15.5.7 H23 (Indoor Pipe Temperature Sensor Abnormality)

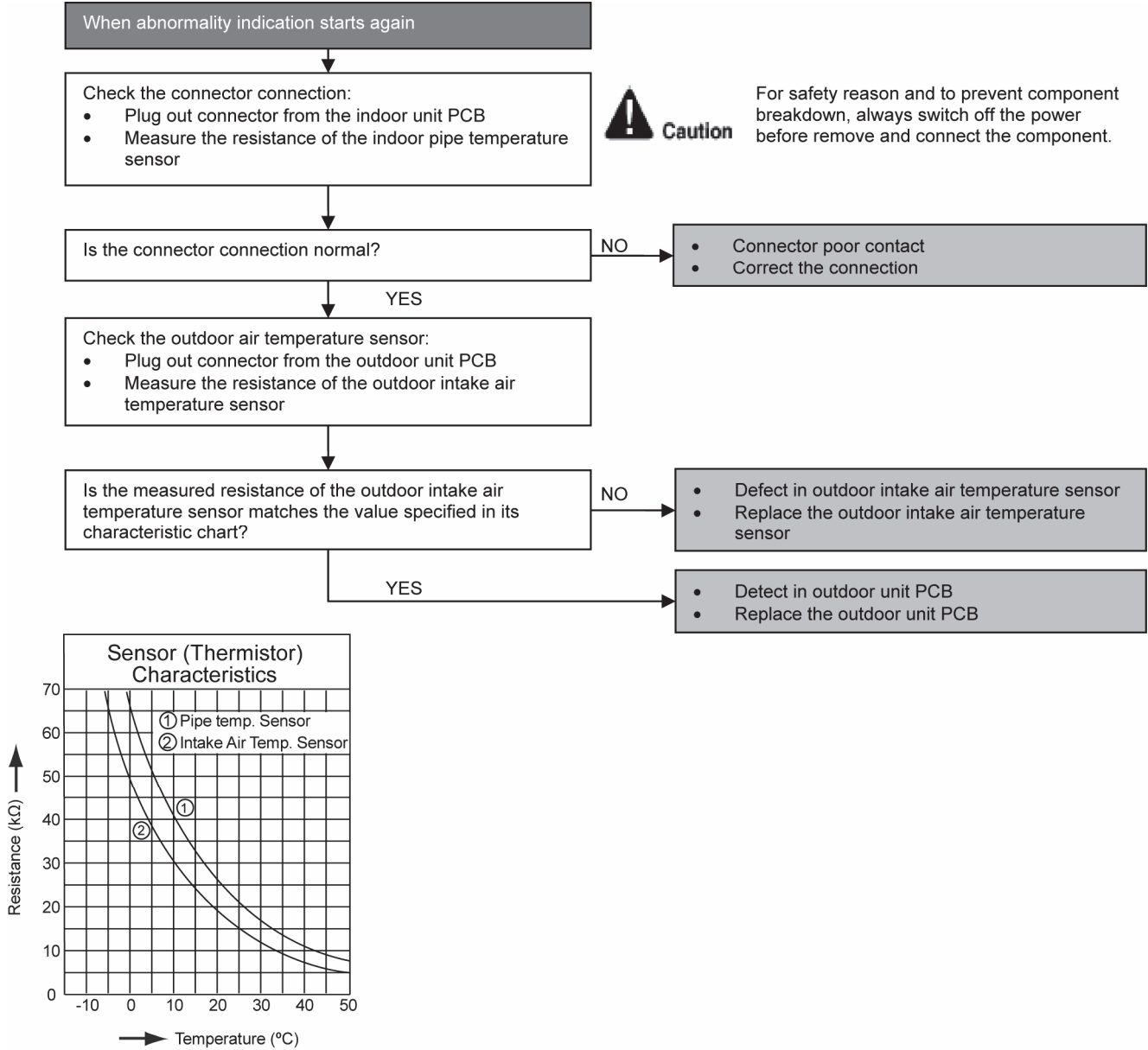
### Malfunction Decision Conditions

- During startup and operation of cooling and heating, the temperatures detected by the indoor heat exchanger temperature sensor are used to determine sensor errors.

### Malfunction Caused

- Faulty connector connection.
- Faulty sensor.
- Faulty PCB.

### Troubleshooting



## 15.5.8 H27 (Outdoor Air Temperature Sensor Abnormality)

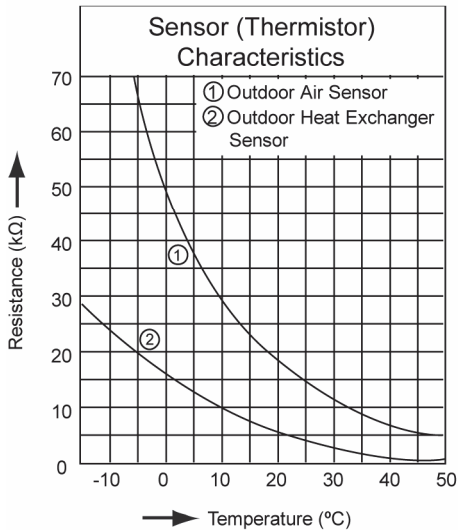
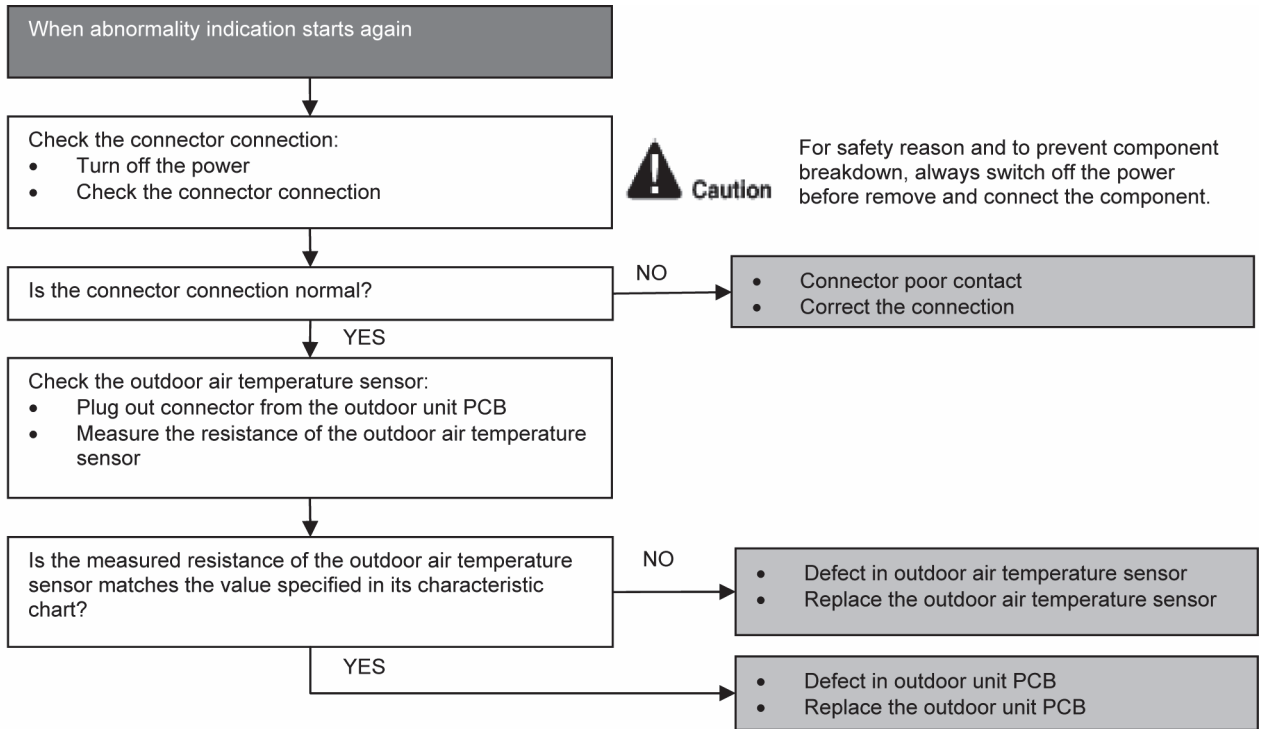
### Malfunction Decision Conditions

- During startup and operation of cooling and heating, the temperatures detected by the outdoor air temperature sensor are used to determine sensor errors.

### Malfunction Caused

- Faulty connector connection.
- Faulty sensor.
- Faulty PCB.

### Troubleshooting



## 15.5.9 H28 (Outdoor Pipe Temperature Sensor Abnormality)

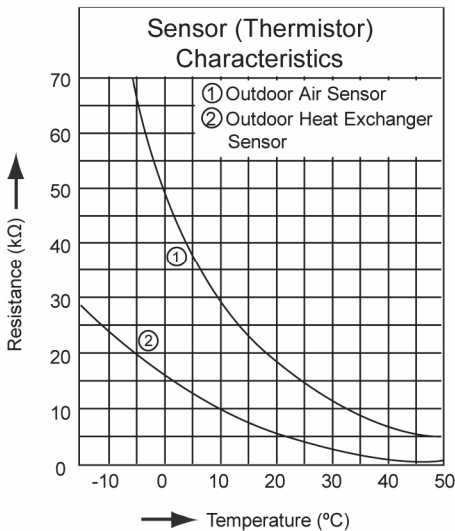
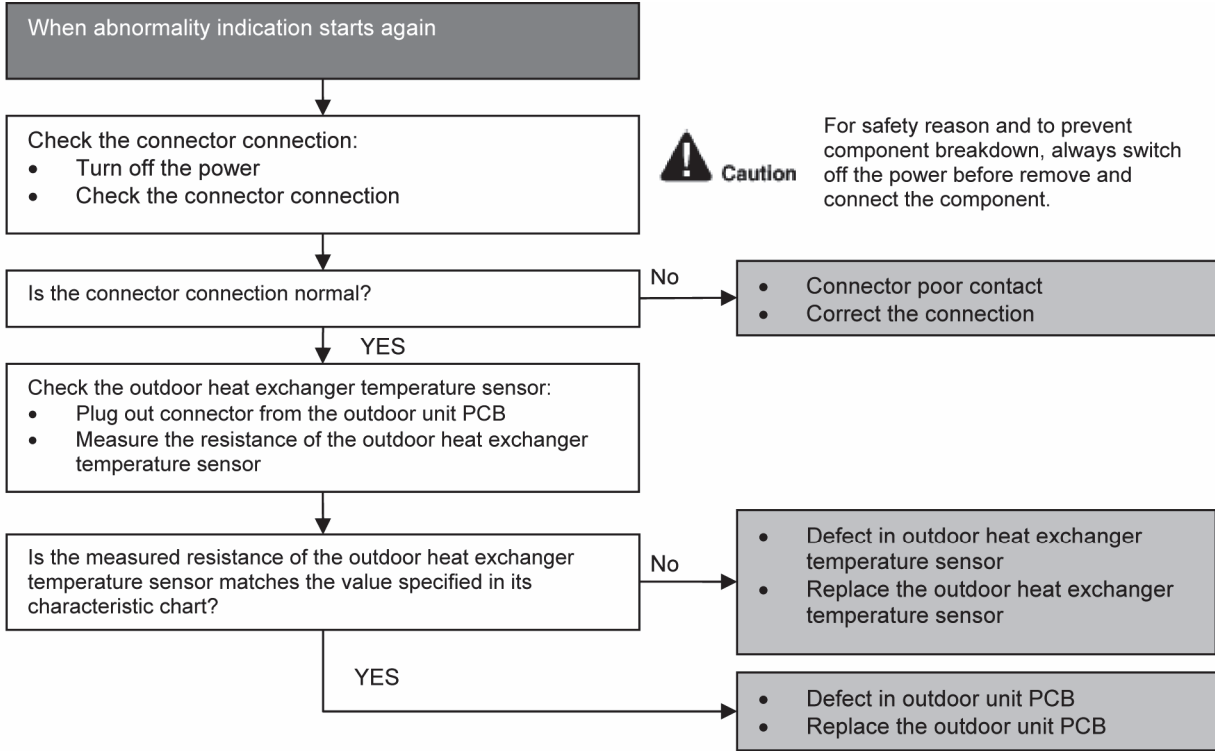
### Malfunction Decision Conditions

- During startup and operation of cooling and heating, the temperatures detected by the outdoor pipe temperature sensor are used to determine sensor errors.

### Malfunction Caused

- Faulty connector connection.
- Faulty sensor.
- Faulty PCB.

### Troubleshooting



### 15.5.10 H30 (Compressor Discharge Temperature Sensor Abnormality)

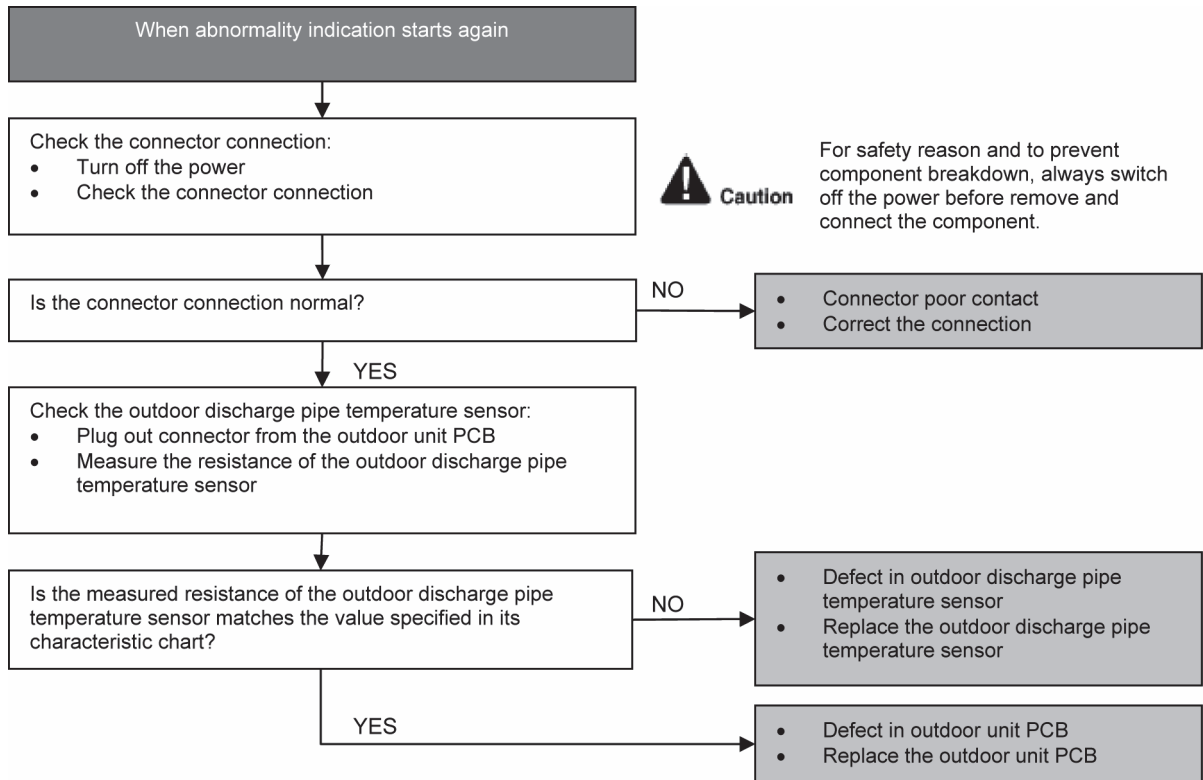
#### Malfunction Decision Conditions

- During startup and operation of cooling and heating, the temperatures detected by the outdoor discharge pipe temperature sensor are used to determine sensor errors.

#### Malfunction Caused

- Faulty connector connection.
- Faulty sensor.
- Faulty PCB.

#### Troubleshooting



## 15.5.11 H32 (Outdoor Heat Exchanger Temperature Sensor 2 Abnormality)

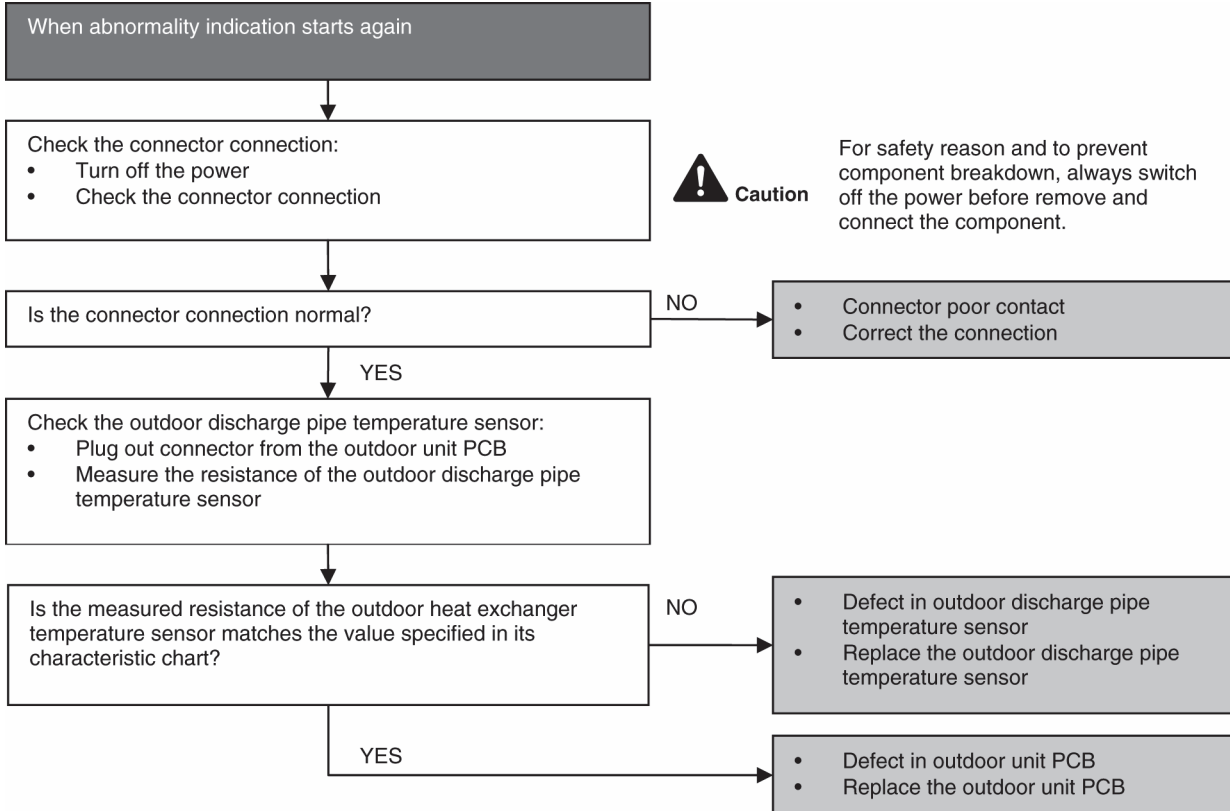
### Malfunction Decision Conditions

- During startup and operation of cooling and heating, the temperatures detected by the outdoor heat exchanger temperature sensor are used to determine sensor errors.

### Malfunction Caused

- Faulty connector connection.
- Faulty sensor.
- Faulty PCB.

### Troubleshooting





## 15.5.12 H33 (Unspecified Voltage between Indoor and Outdoor)

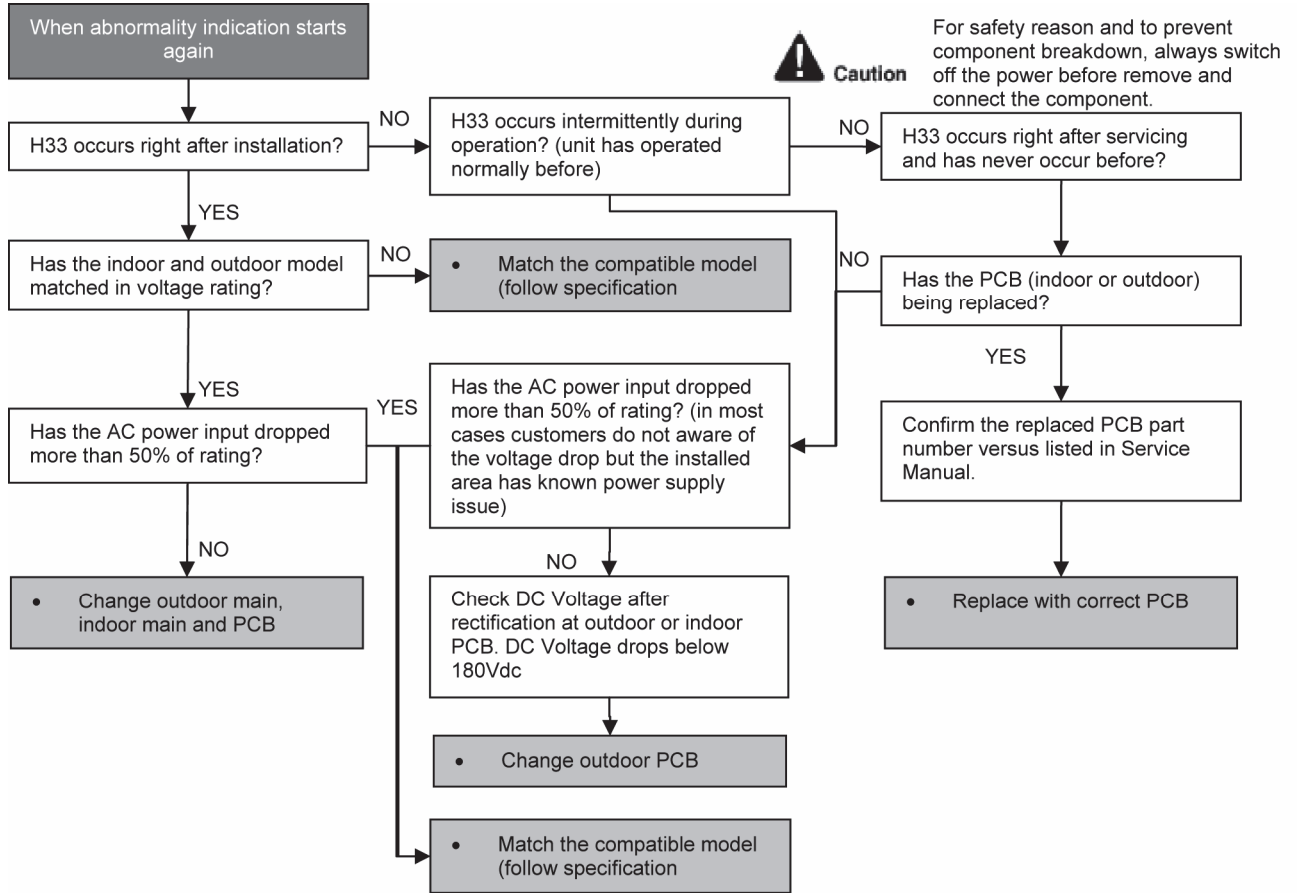
### Malfunction Decision Conditions

- The supply power is detected for its requirement by the indoor/outdoor transmission.

### Malfunction Caused

- Wrong models interconnected.
- Wrong indoor unit and outdoor unit PCBs used.
- Indoor unit or outdoor unit PCB defective.

### Troubleshooting



### 15.5.13 H34 (Outdoor Heat Sink Temperature Sensor Abnormality)

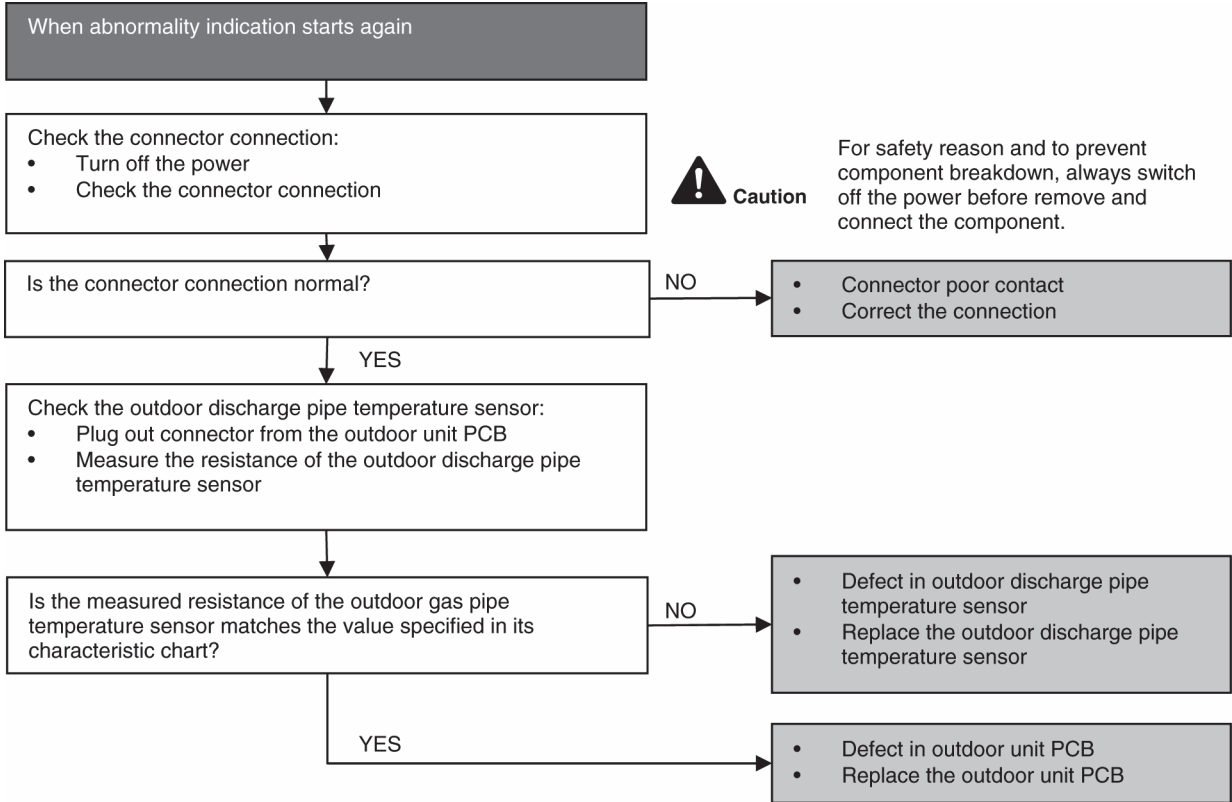
#### Malfunction Decision Conditions

- During startup and operation of cooling and heating, the temperatures detected by the outdoor heat sink temperature sensor are used to determine sensor errors.

#### Malfunction Caused

- Faulty connector connection.
- Faulty sensor.
- Faulty PCB.

#### Troubleshooting



## 15.5.14 H36 (Outdoor Gas Pipe Sensor Abnormality)

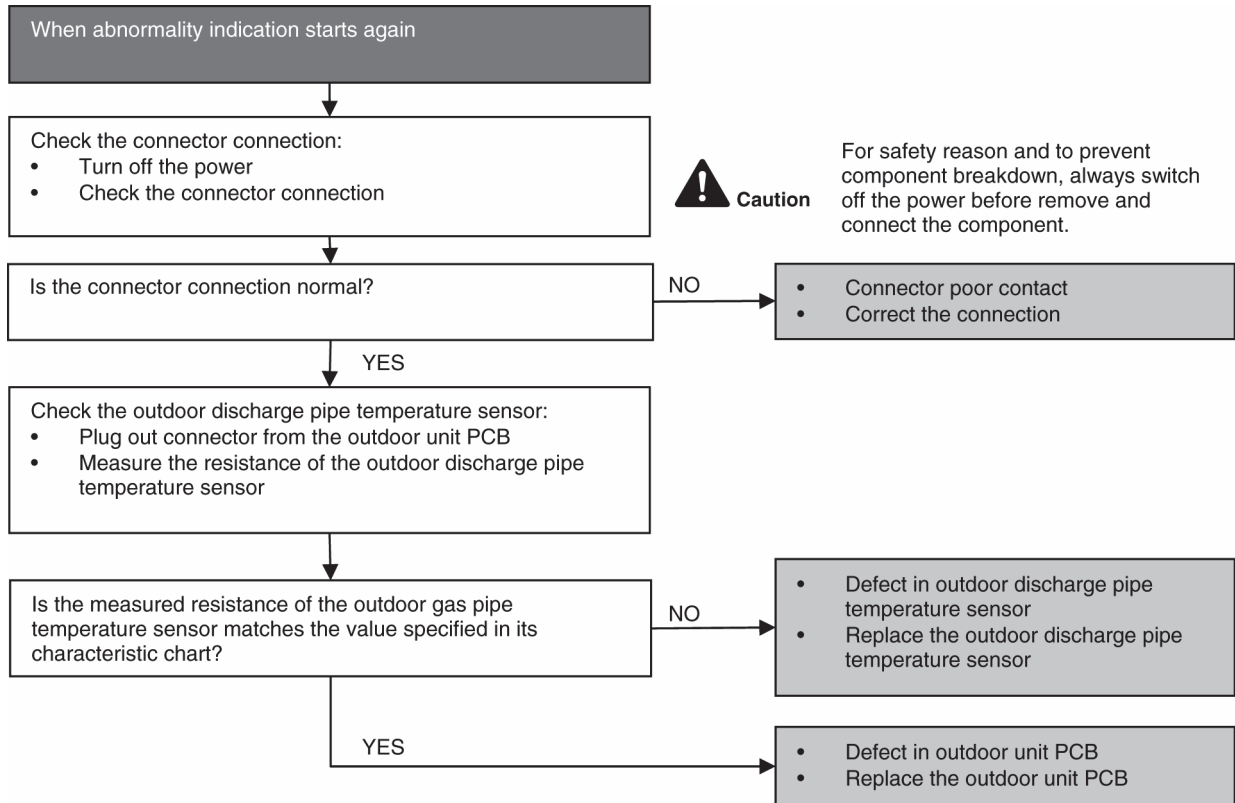
### Malfunction Decision Conditions

- During startup and operation of cooling and heating, the temperatures detected by the outdoor gas pipe temperature sensor are used to determine sensor errors.

### Malfunction Caused

- Faulty connector connection.
- Faulty sensor.
- Faulty PCB.

### Troubleshooting



## 15.5.15 H37 (Outdoor Liquid Pipe Temperature Sensor Abnormality)

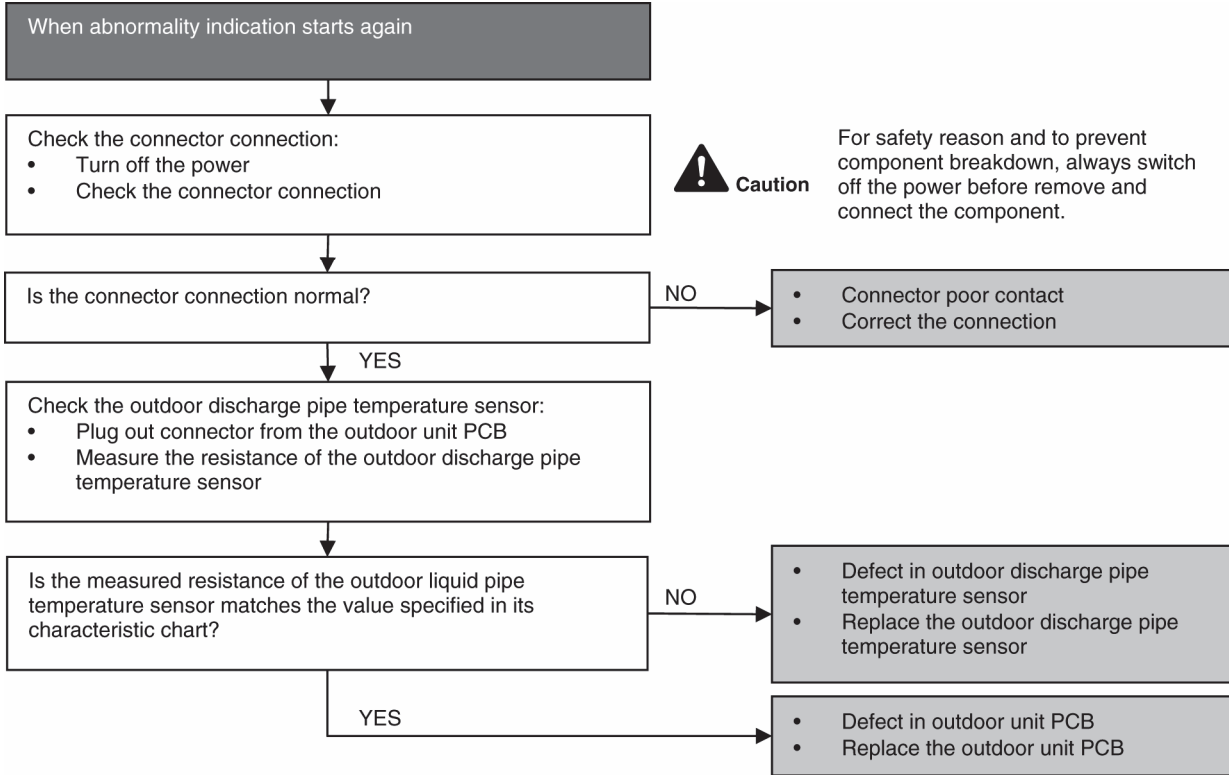
### Malfunction Decision Conditions

- During startup and operation of cooling and heating, the temperatures detected by the outdoor liquid pipe temperature sensor are used to determine sensor errors.

### Malfunction Caused

- Faulty connector connection.
- Faulty sensor.
- Faulty PCB.

### Troubleshooting



## 15.5.16 H98 (Error Code Stored in Memory and no alarm is triggered / no TIMER LED flashing)

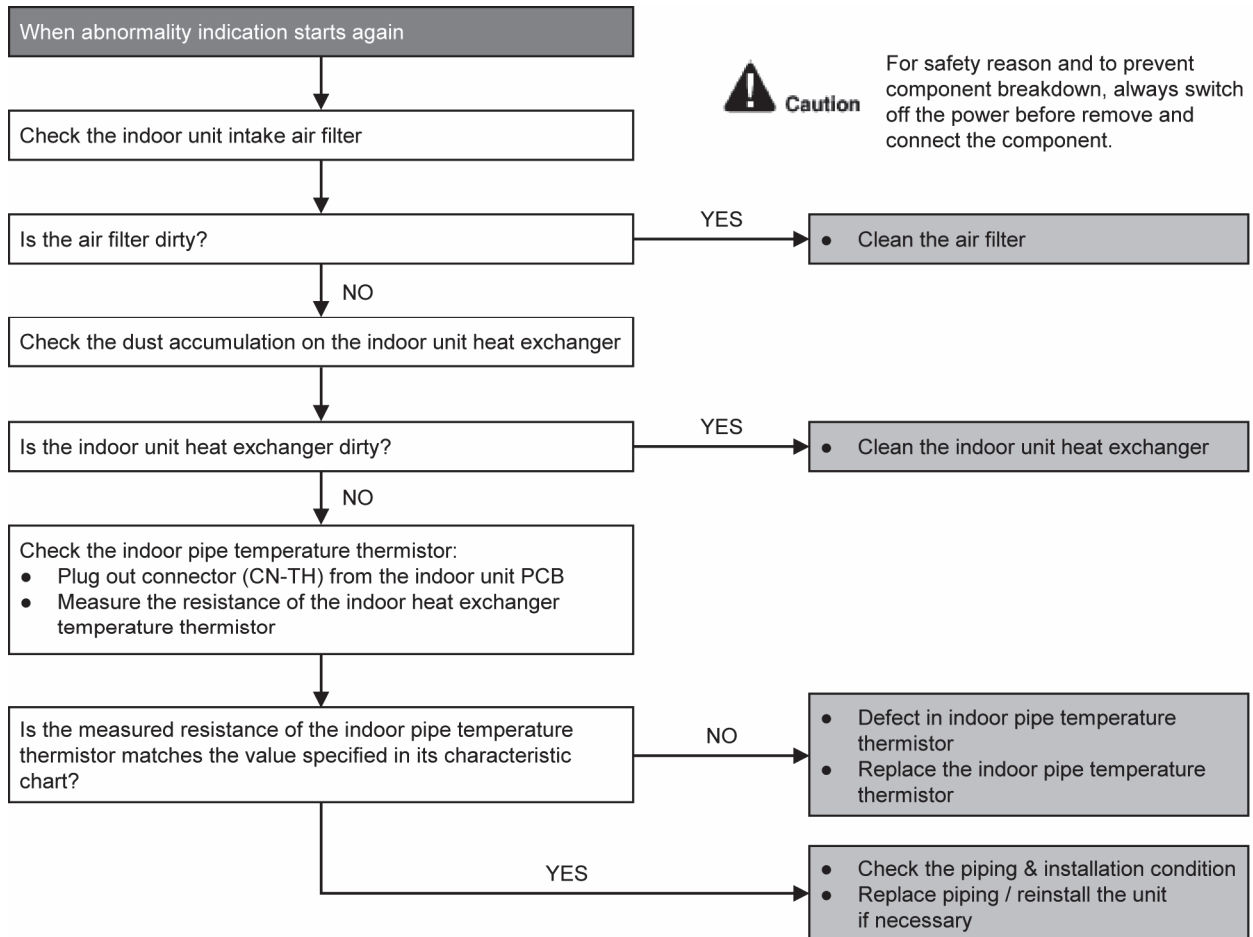
### Malfunction Decision Conditions

- Indoor high pressure is detected when indoor heat exchanger is detecting very high temperature when the unit is operating in heating operation.
- Phenomena: unit is stopping and re-starting very often in heating mode

### Malfunction Caused

- Indoor heat exchanger thermistor
- Clogged air filter or heat exchanger
- Over-bent pipe (liquid side)

### Troubleshooting



## 15.5.17 H99 (Indoor Freeze Prevention Protection: Cooling or Soft Dry)

Error code will not display (no TIMER LED blinking) but store in EEPROM

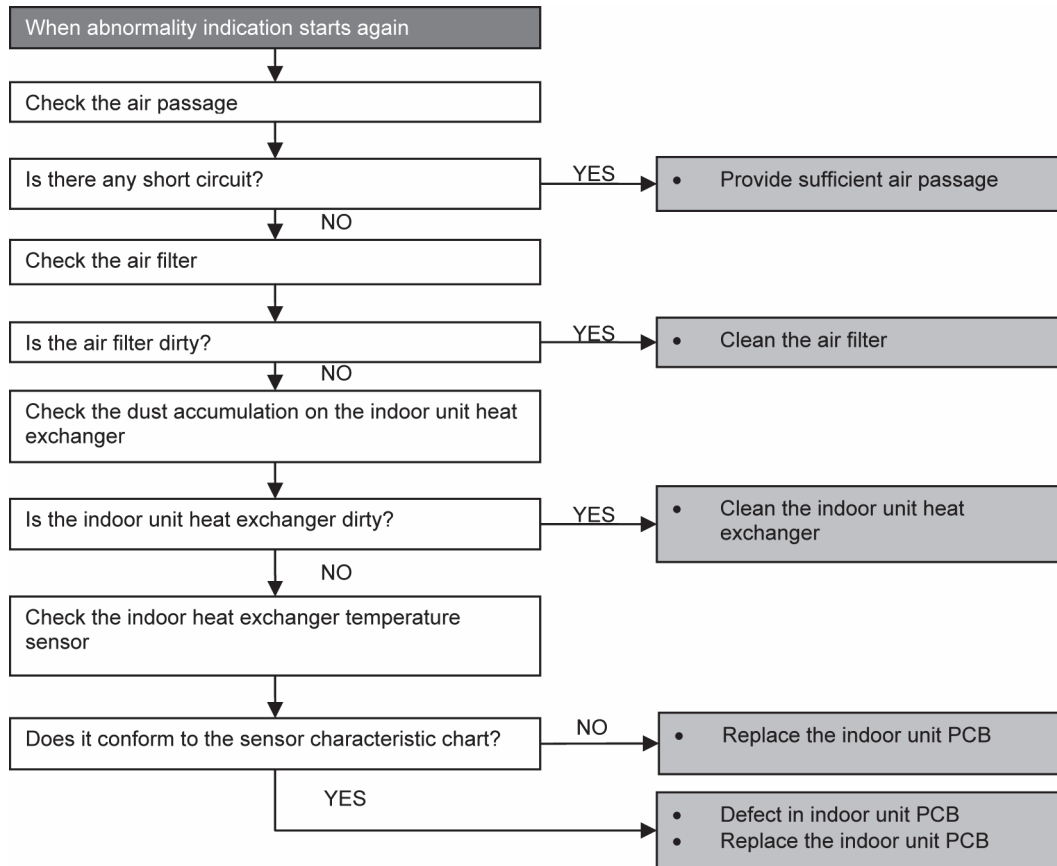
### Malfunction Decision Conditions

- Freeze prevention control takes place (when indoor pipe temperature is lower than 2°C).

### Malfunction Caused

- Clogged air filter of the indoor unit.
- Dust accumulation on the indoor unit heat exchanger.
- Air short circuit.
- Detection error due to faulty indoor pipe temperature sensor.
- Detection error due to faulty indoor unit PCB.

### Troubleshooting



## 15.5.18 F11 (4-way valve Abnormality)

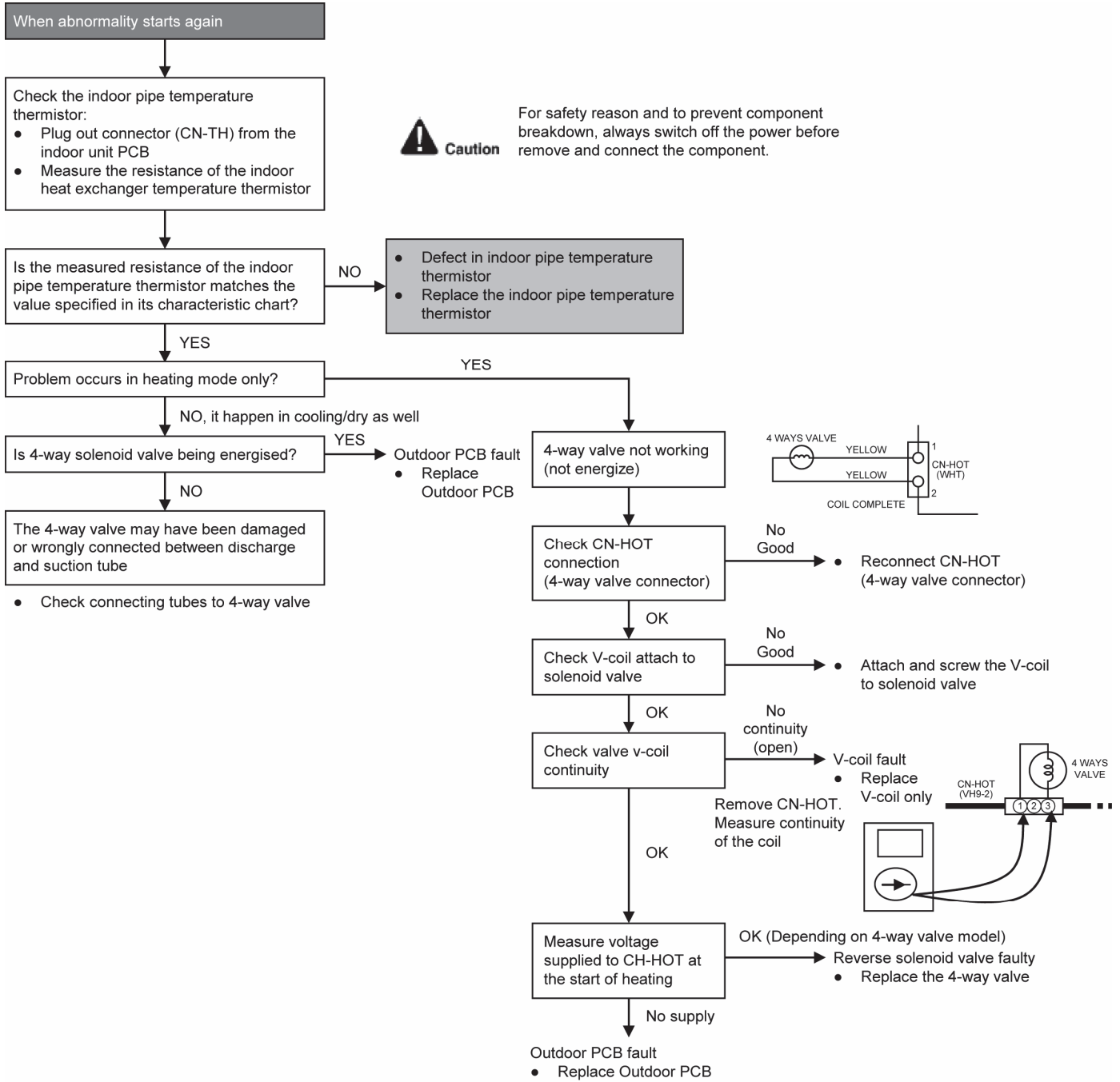
### Malfunction Decision Conditions

- When indoor heat exchanger is cold during heating (except deice) or when indoor heat exchanger is hot during cooling and compressor operating, the 4-way valve is detected as malfunction.

### Malfunction Caused

- Indoor heat exchanger (pipe) thermistor
- 4-way valve malfunction

### Troubleshooting



\* Check gas side pipe – for hot gas flow in cooling mode

## 15.5.19 F17 (Indoor Standby Units Freezing Abnormality)

### Malfunction Decision Conditions

- When the different between indoor intake air temperature and indoor pipe temperature is above 10°C or indoor pipe temperature is below -1.0°C.

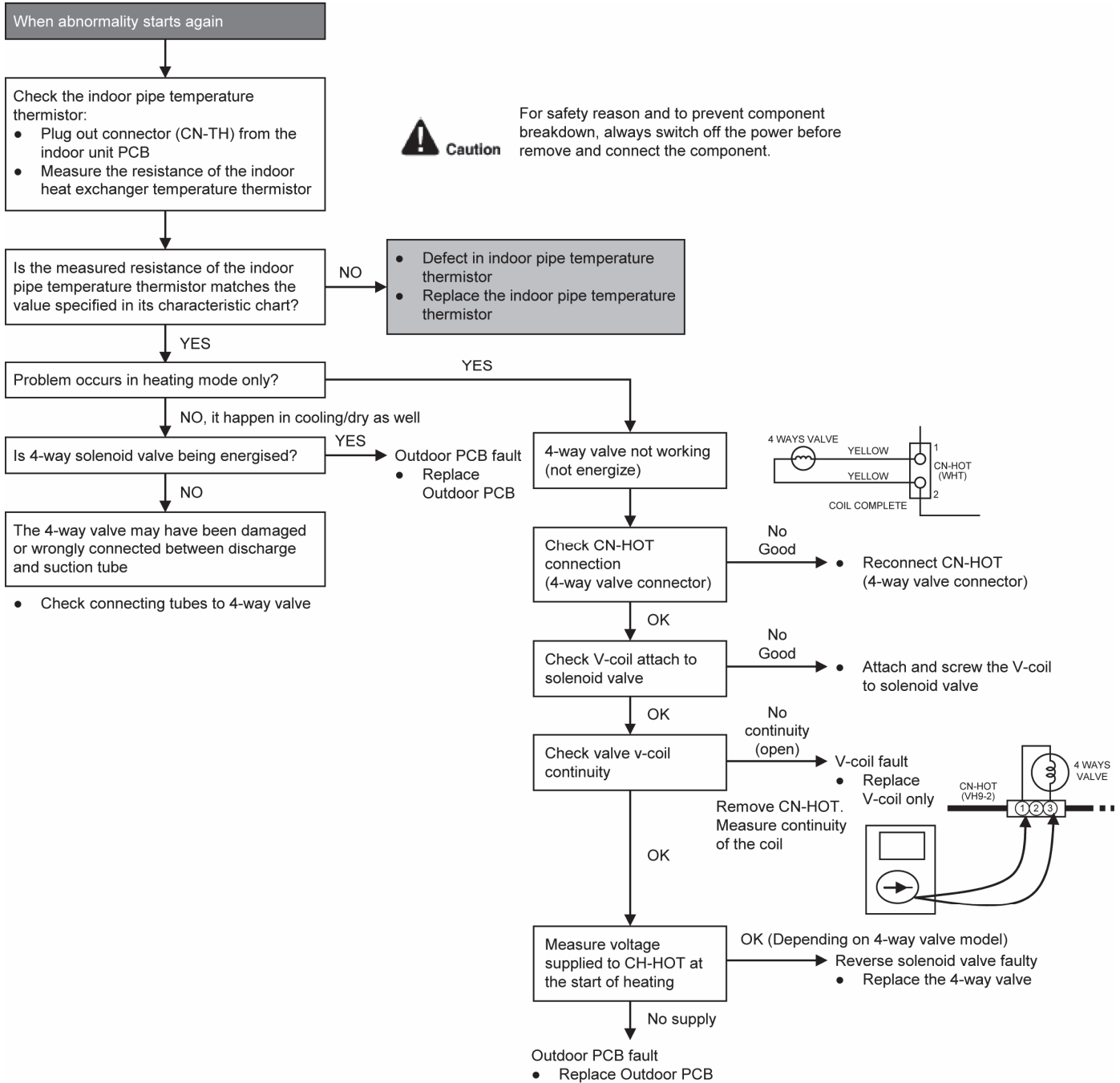
#### Remark:

When the indoor standby unit is freezing, the outdoor unit transfers F17 error code to the corresponding indoor unit and H39 to other indoor unit(s).

### Malfunction Caused

- Wrong wiring connection
- Faulty sensor
- Faulty expansion valve

### Troubleshooting





## 15.5.20 F90 (Power Factor Correction Protection)

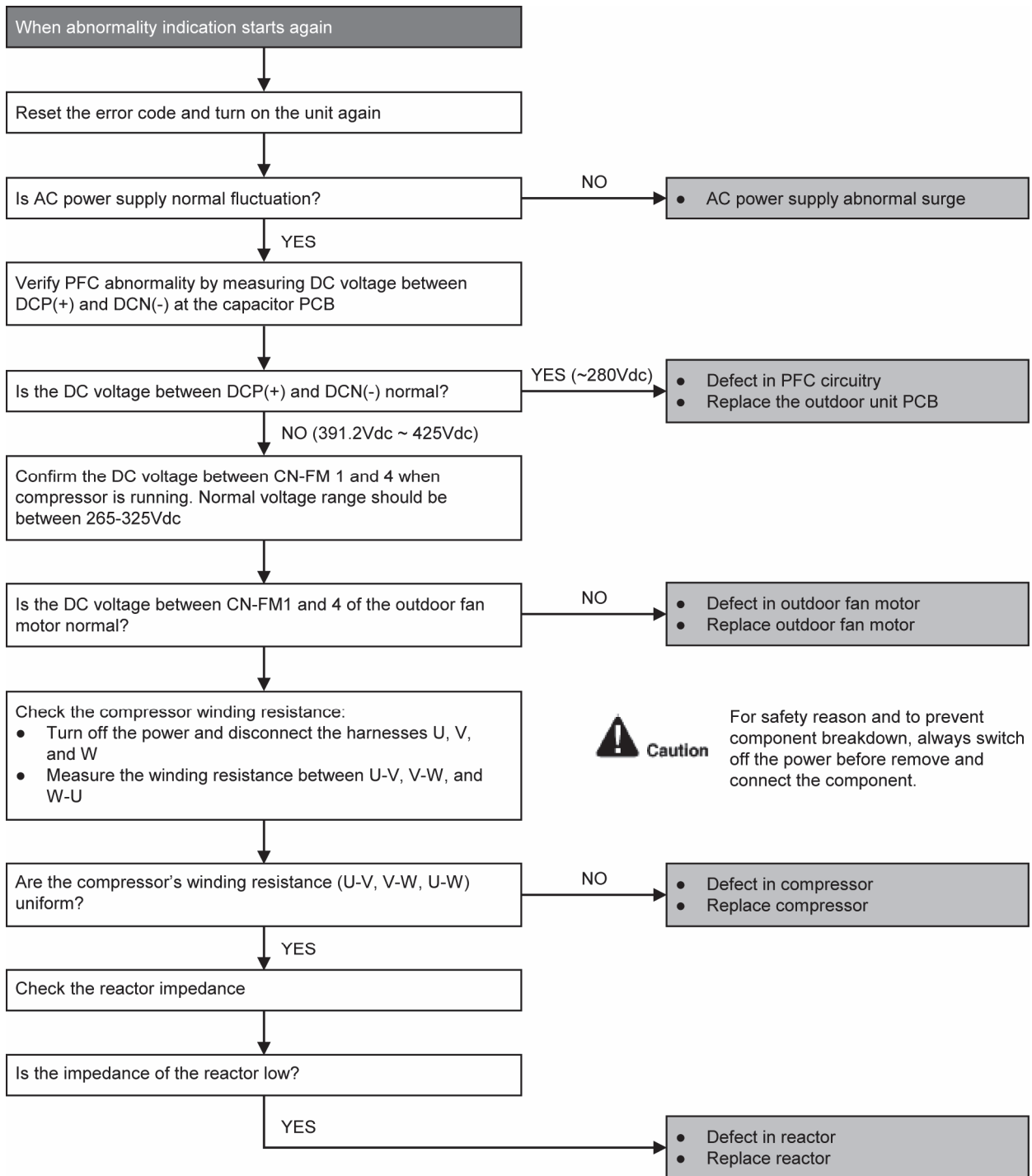
### Malfunction Decision Conditions

- To maintain DC voltage level supply to power transistor.
- To detect high DC voltage level after rectification.

### Malfunction Caused

- During startup and operation of cooling and heating, when Power Factor Correction (PFC) protection circuitry at the outdoor unit main PCB senses abnormal DC voltage level for power transistors.
- When DC voltage detected is LOW, transistor switching will turn ON by controller to push-up the DC level.
- When DC voltage detected is HIGH (391Vdc – 425Vdc), active LOW signal will send by the controller to turn OFF relay RY-C.

### Troubleshooting



## 15.5.21 F91 (Refrigeration Cycle Abnormality)

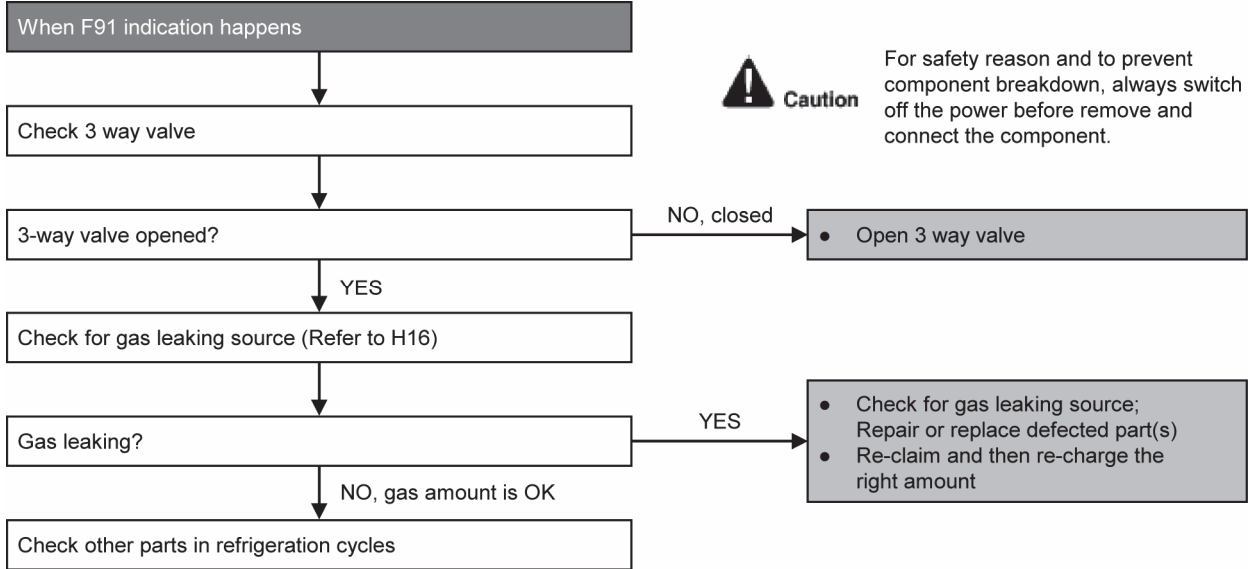
### Malfunction Decision Conditions

- The input current is low while the compressor is running at higher than the setting frequency.

### Malfunction Caused

- Lack of gas.
- 3-way valve close.

### Troubleshooting



## 15.5.22 F93 (Compressor Rotation Failure)

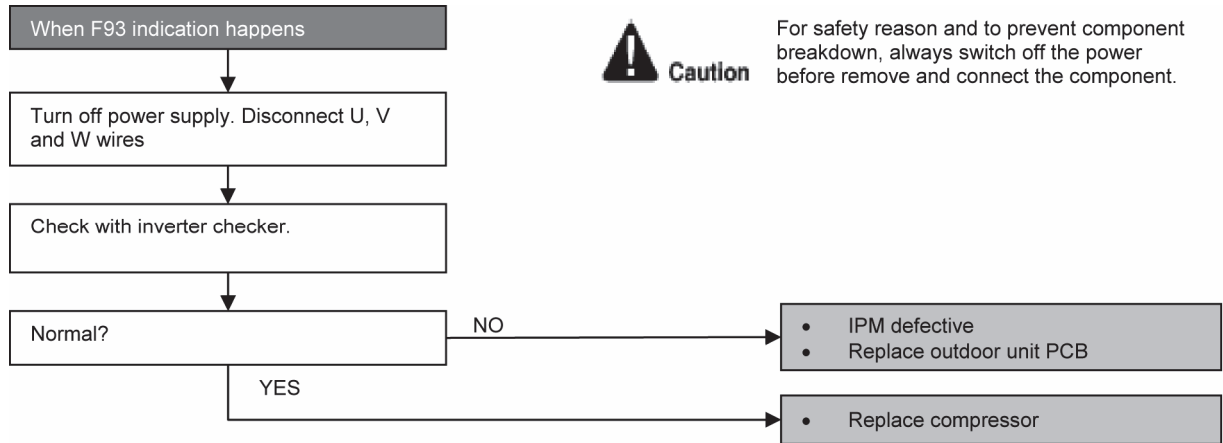
### Malfunction Decision Conditions

A compressor rotation failure is detected by checking the compressor running condition through the position detection circuit.

### Malfunction Caused

- Compressor terminal disconnect.
- Outdoor PCB malfunction.

### Troubleshooting



## 15.5.23 F95 (Outdoor High Pressure Protection: Cooling or Soft Dry)

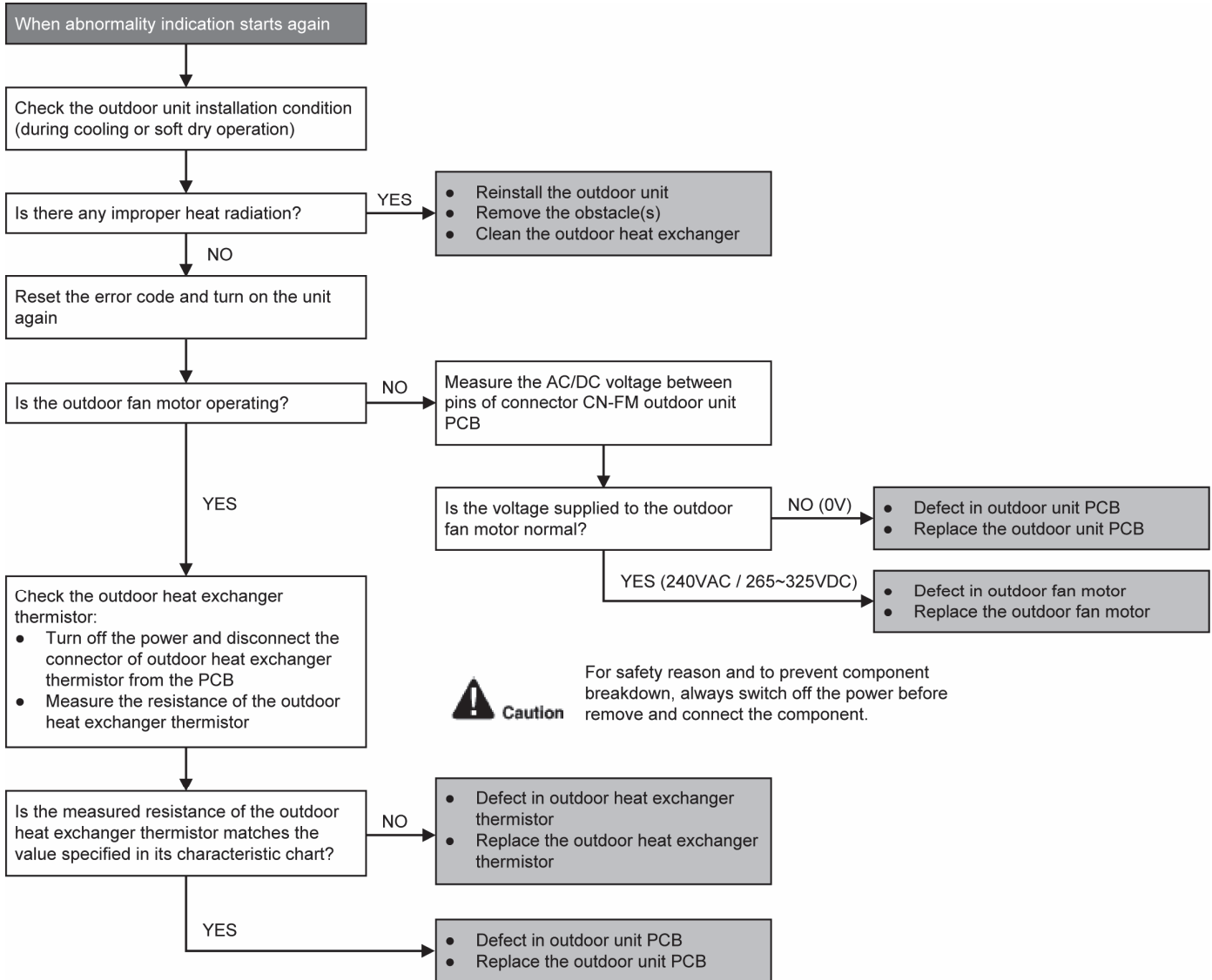
### Malfunction Decision Conditions

- During operation of cooling or soft dry, when outdoor unit heat exchanger high temperature data is detected by the outdoor unit heat exchanger thermistor.

### Malfunction Caused

- Outdoor heat exchanger temperature rise due to short-circuit of hot discharge air flow.
- Outdoor heat exchanger temperature rise due to defective of outdoor fan motor.
- Outdoor heat exchange temperature rise due to defective outdoor heat exchanger thermistor.
- Outdoor heat exchanger temperature rise due to defective of outdoor unit PCB.

### Troubleshooting



## 15.5.24 F96 (IPM Overheating)

### Malfunction Decision Conditions

- During operating of cooling and heating, when IPM temperature data (100°C) is detected by the IPM temperature sensor.

#### Multi Models Only

- Compressor Overheating: During operation of cooling and heating, when the compressor OL is activated.
- Heat Sink Overheating: During operation of cooling and heating, when heat sink temperature data (90°C) is detected by the heat sink temperature sensor.

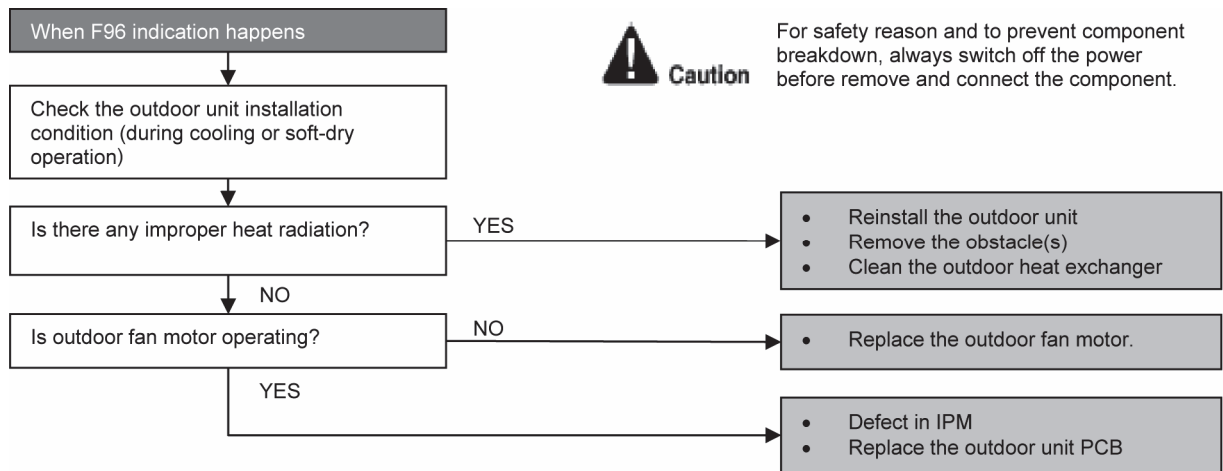
### Malfunction Caused

- IPM overheats due to short circuit of hot discharge air flow.
- IPM overheats due to defective of outdoor fan motor.
- IPM overheats due to defective of internal circuitry of IPM.
- IPM overheats due to defective IPM temperature sensor.

#### Multi Models Only

- Compressor OL connector poor contact.
- Compressor OL faulty.

### Troubleshooting



## 15.5.25 F97 (Compressor Overheating)

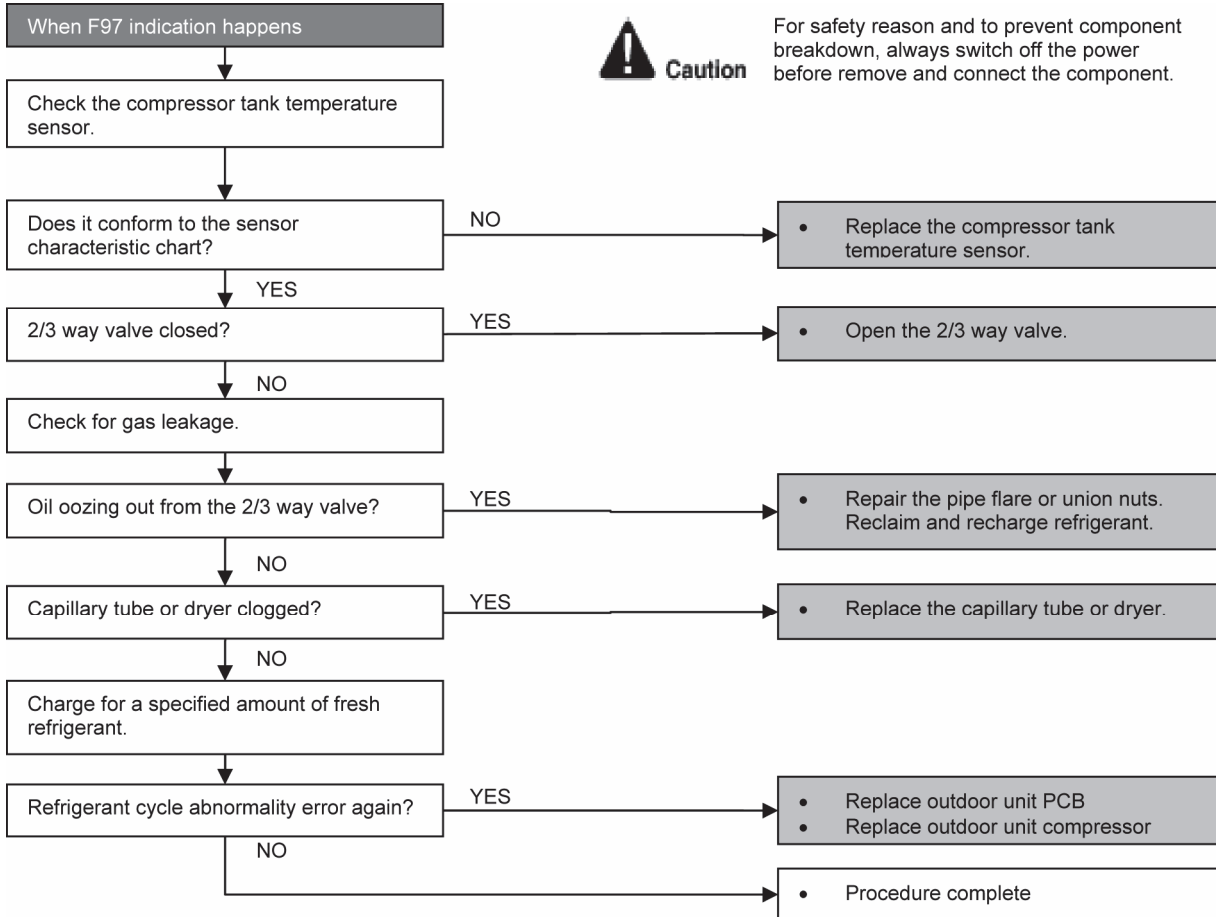
### Malfunction Decision Conditions

During operation of cooling and heating, when compressor tank temperature data (103°C) is detected by the compressor tank temperature sensor.

### Malfunction Caused

- Refrigerant shortage (refrigerant leakage).
- 2/3 way valve closed.
- Detection error due to faulty compressor tank temperature sensor.

### Troubleshooting



## 15.5.26 F98 (Input Over Current Detection)

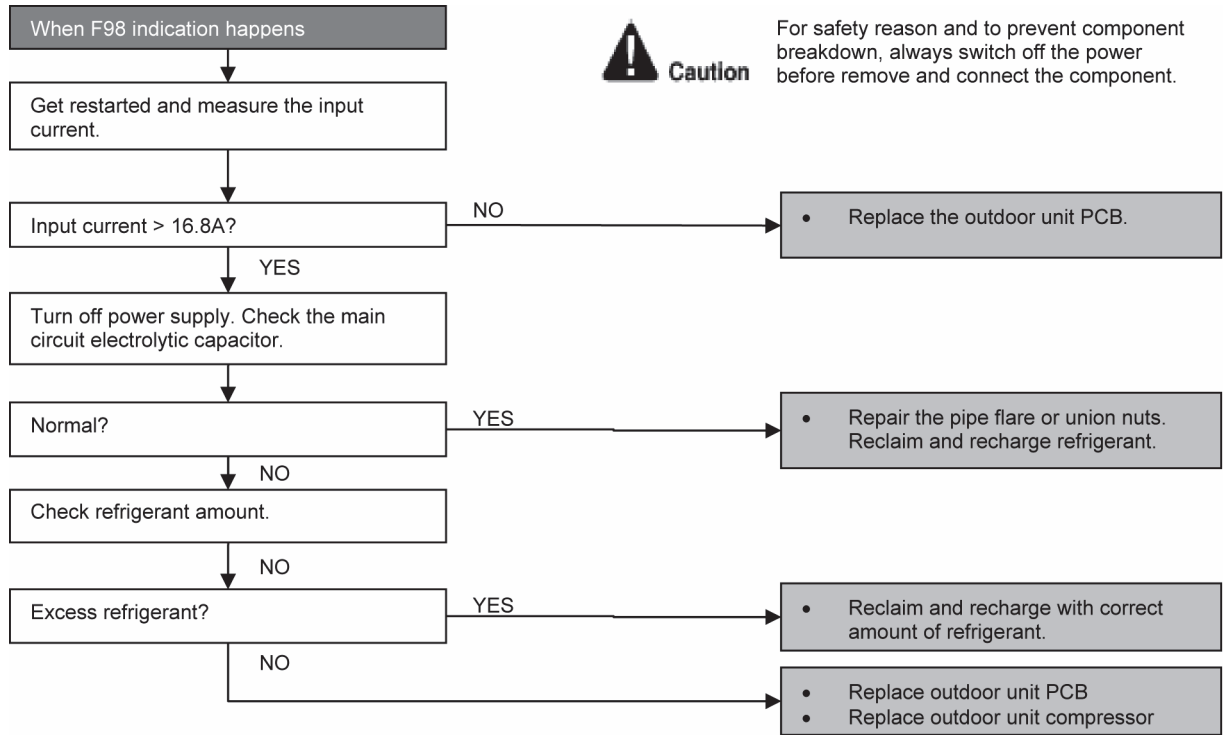
### Malfunction Decision Conditions

During operation of cooling and heating, when an input over-current (X value in Total Running Current Control) is detected by checking the input current value being detected by current transformer (CT) with the compressor running.

### Malfunction Caused

- Over-current due to compressor failure.
- Over-current due to defective outdoor unit PCB.
- Over-current due to defective inverter main circuit electrolytic capacitor.
- Over-current due to excessive refrigerant.

### Troubleshooting



## 15.5.27 F99 (DC Peak Detection)

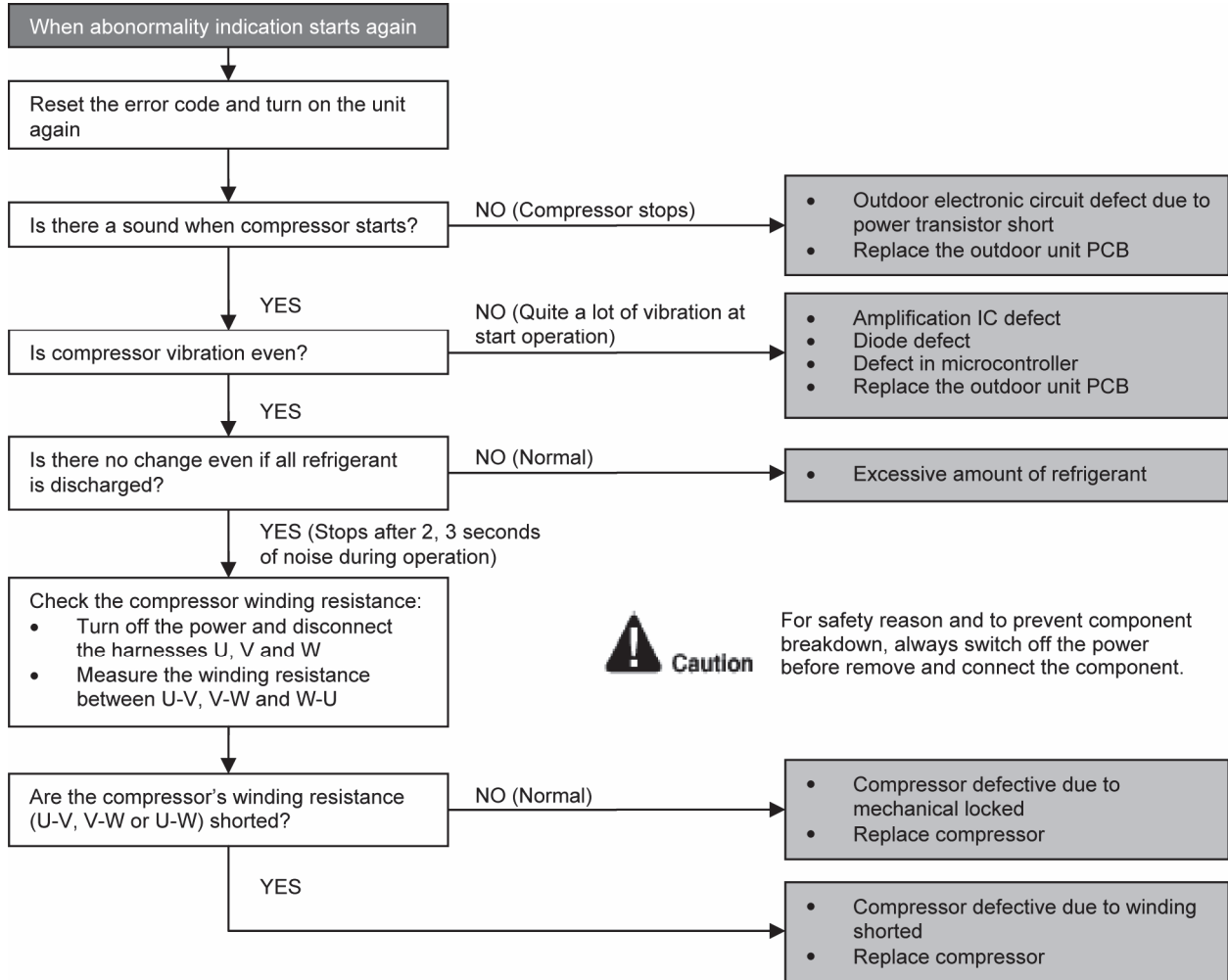
### Malfunction Decision Conditions

During startup and operation of cooling and heating, when inverter DC peak data is received by the outdoor internal DC Peak sensing circuitry.

### Malfunction Caused

- DC current peak due to compressor failure.
- DC current peak due to defective power transistor(s).
- DC current peak due to defective outdoor unit PCB.
- DC current peak due to short circuit.

### Troubleshooting



- Checking the power transistor.
- Never touch any live parts for at least 10 minutes after turning off the circuit breaker.
- If unavoidable necessary to touch a live part, make sure the power transistor's supply voltage is below 50V using the tester.
- For the UVW, make measurement at the Faston terminal on the board of the relay connector.

Tester's negative terminal	Power transistor (+)	UVW	Power transistor (-)	UVW
Tester's positive terminal	UVW	Power transistor (+)	UVW	Power transistor (-)
Normal resistance	Several kΩ to several MΩ			
Abnormal resistance	0 or ∞			



# 16. Disassembly and Assembly Instructions



**WARNING**

High Voltage are generated in the electrical parts area by the capacitor. Ensure that the capacitor has discharged sufficiently before proceeding with repair work. Failure to heed this caution may result in electric shocks.

## 16.1 Indoor Electronic Controllers, Cross Flow Fan and Indoor Fan Motor Removal Procedures

### 16.1.1 To remove front grille

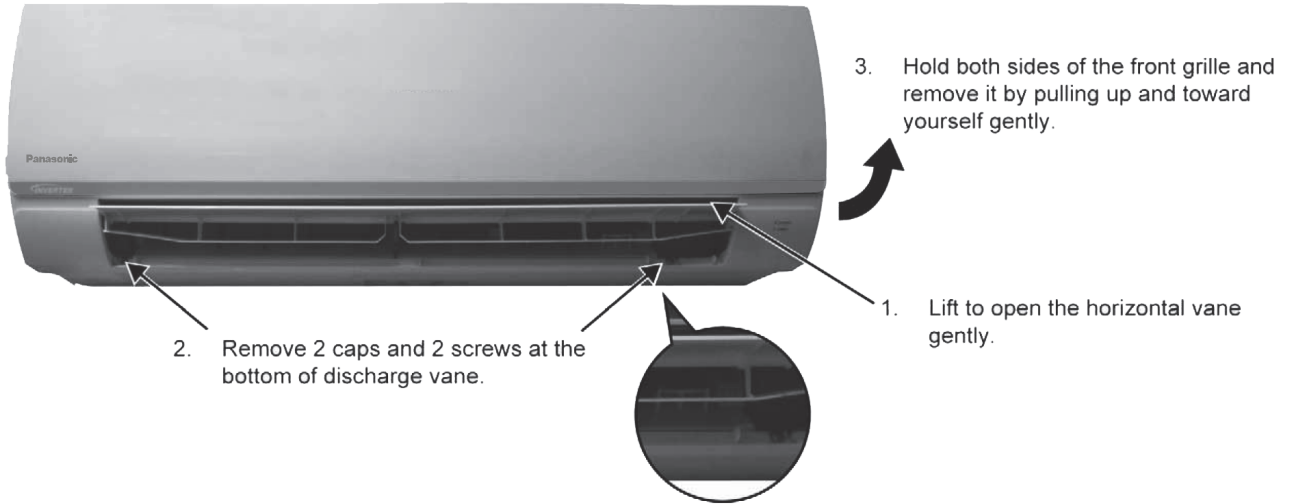


Figure 1

### 16.1.2 To remove horizontal vane

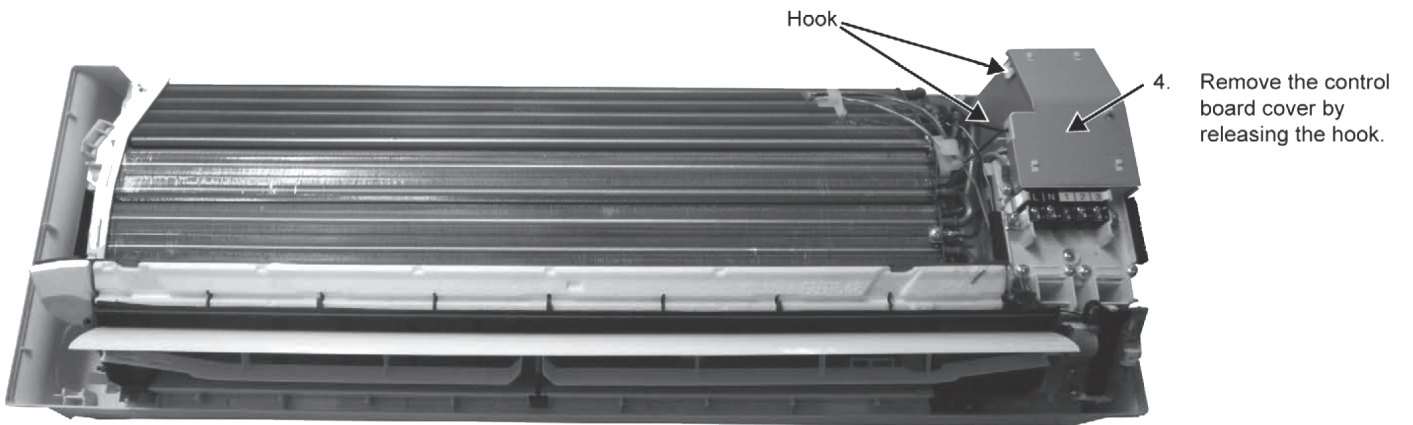


Figure 2

### 16.1.3 To remove power electronic controller

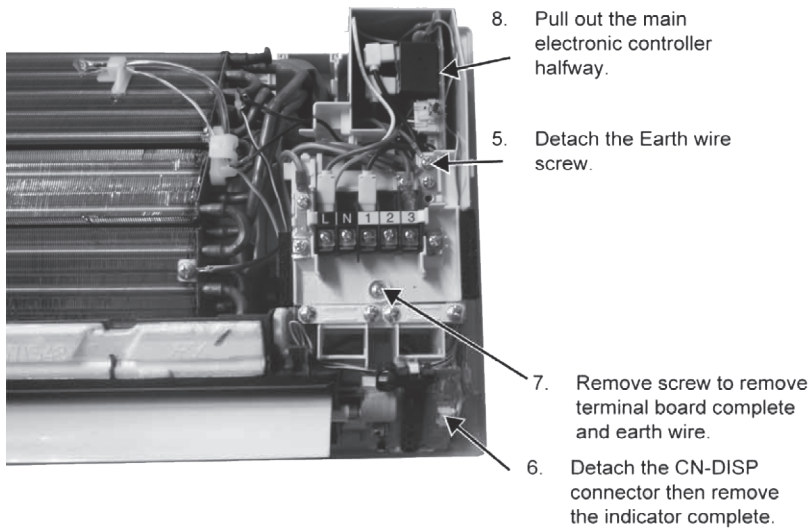


Figure 3

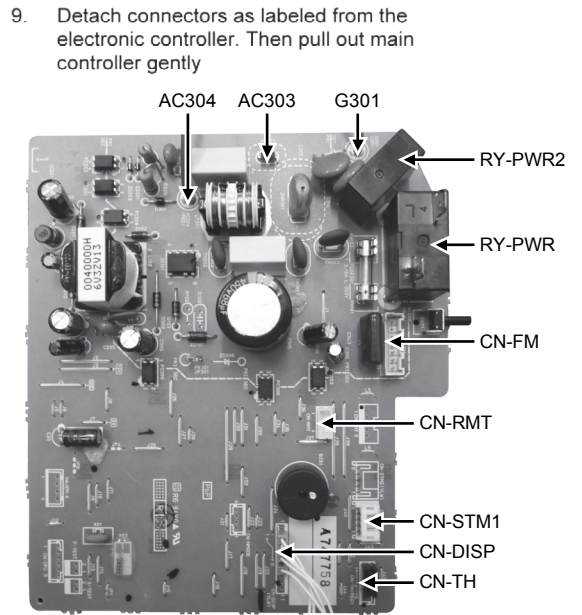


Figure 4

### 16.1.4 To remove discharge grille

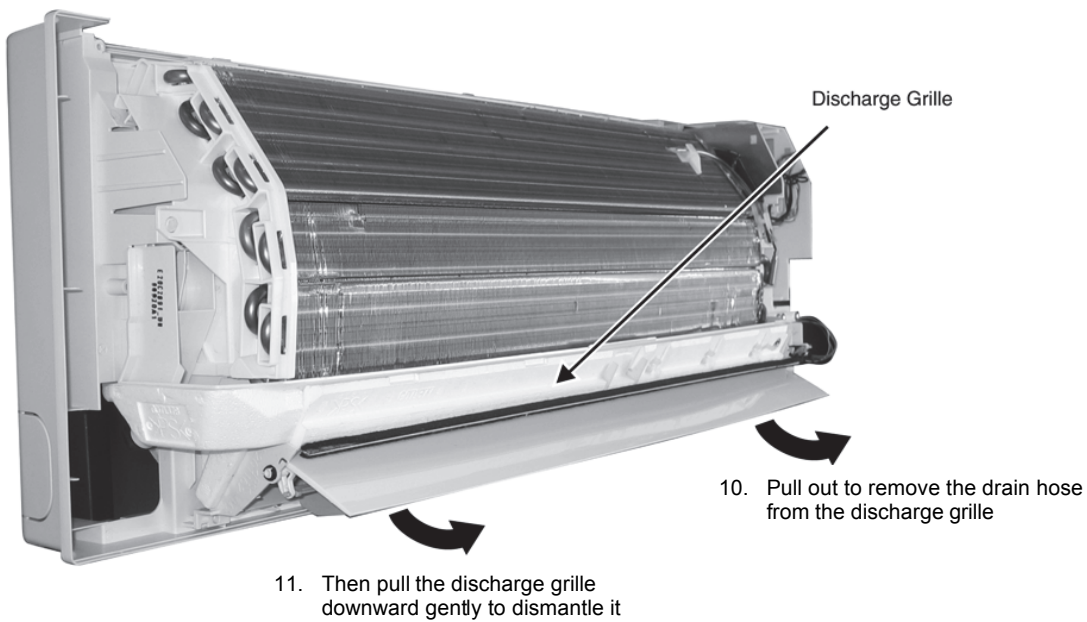


Figure 5

### 16.1.5 To remove control board

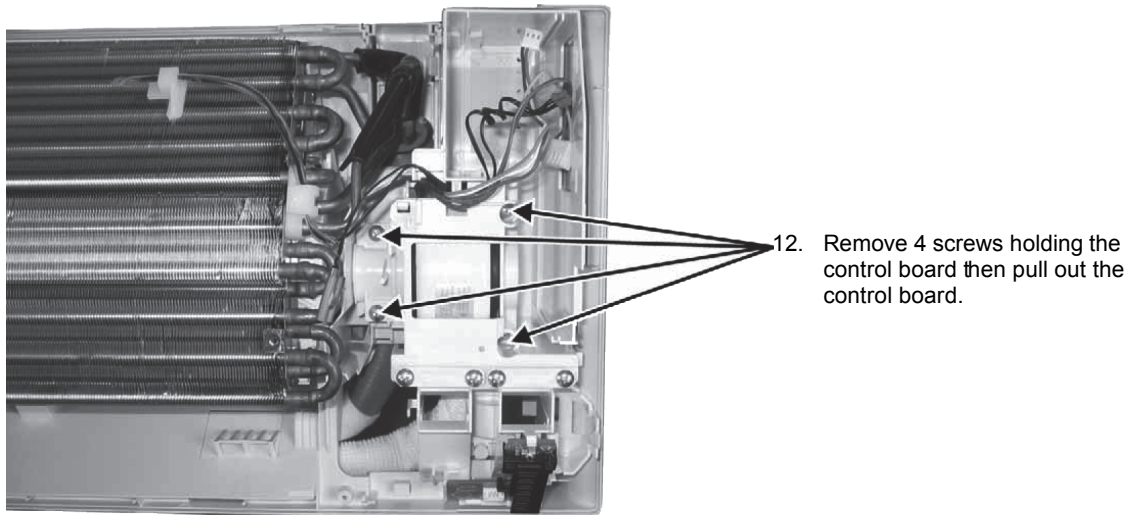


Figure 6

### 16.1.6 To remove cross flow fan and indoor fan motor

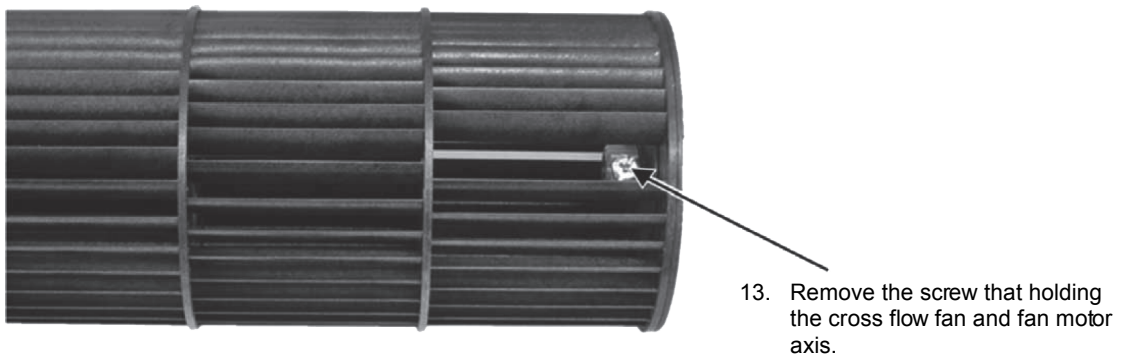


Figure 7

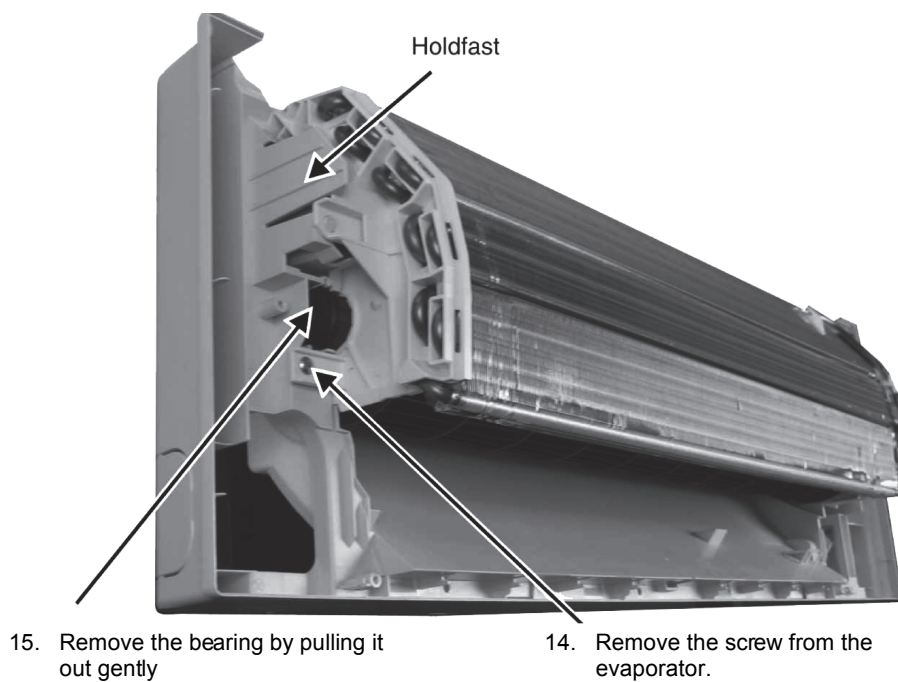
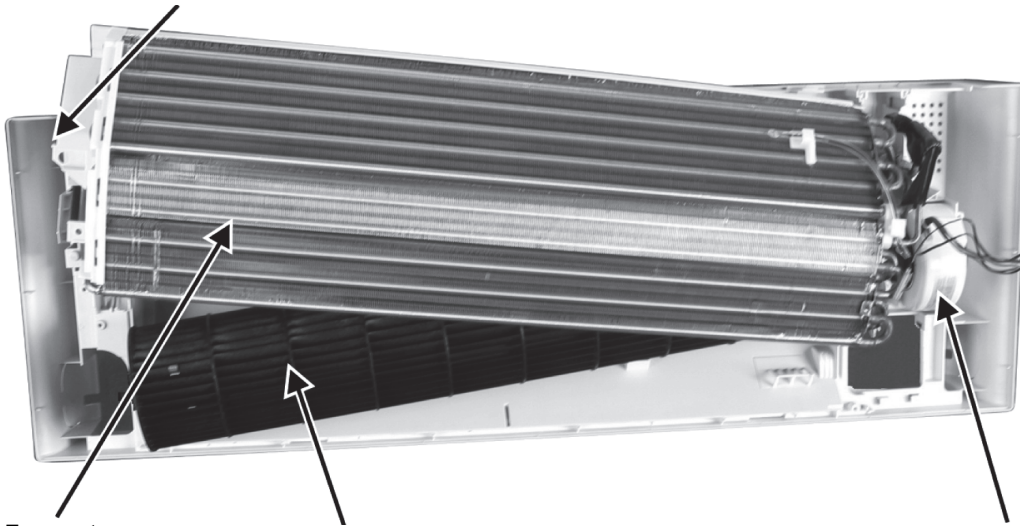


Figure 8

16. Push the holdfast to the left and lift up the evaporator.



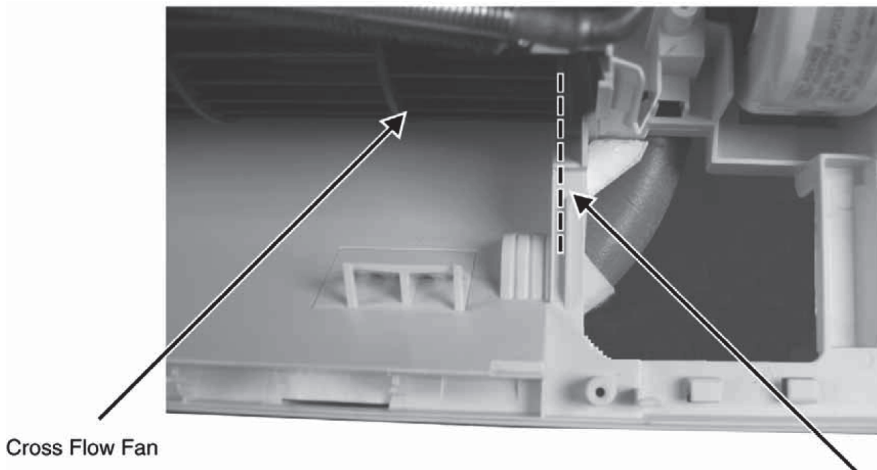
Evaporator

17. Remove the cross flow fan from the unit by pulling it to the left and downward.

18. Fan motor can be removed after the removal of cross flow fan.

Reminder: To reinstall the fan motor, adjust the fan motor connector to 45° towards you before fixing control board.

**Figure 9**



Cross Flow Fan

Reminder: To reinstall the cross flow fan, ensure cross flow fan is in line as shown in figure 10

**Figure 10**

## 16.2 Outdoor Electronic Controller Removal Procedure

### 16.2.1 CU-RE9QKE

⚠ Caution! When handling electronic controller, be careful of electrostatic discharge.

1. Remove the 3 screws of the Top Panel.

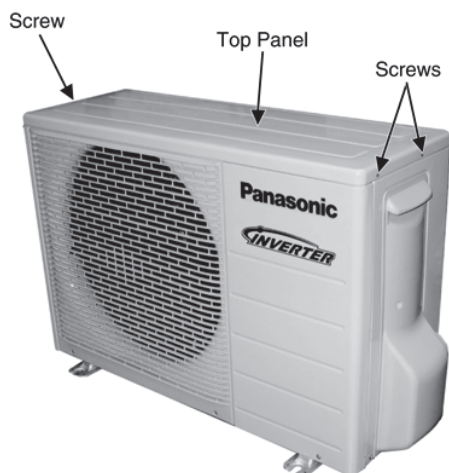


Fig. 1

2. Remove the 6 screws of the Front Panel.

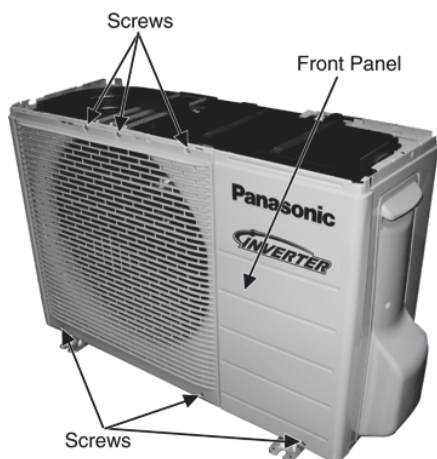


Fig. 2

3. Remove the screw of the Terminal Board Cover.  
4. Remove the Top Cover of the Control Board by 4 hooks.

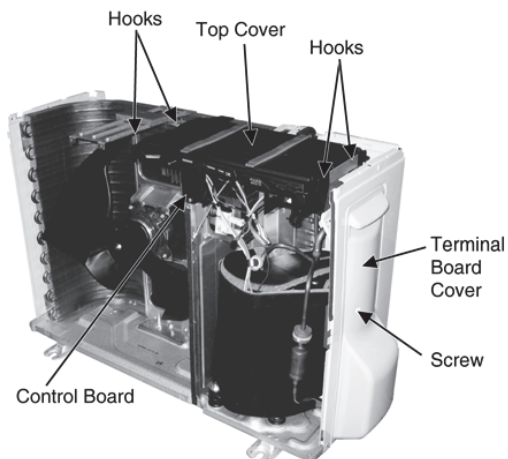


Fig. 3

5. Remove the Control Board as follows:

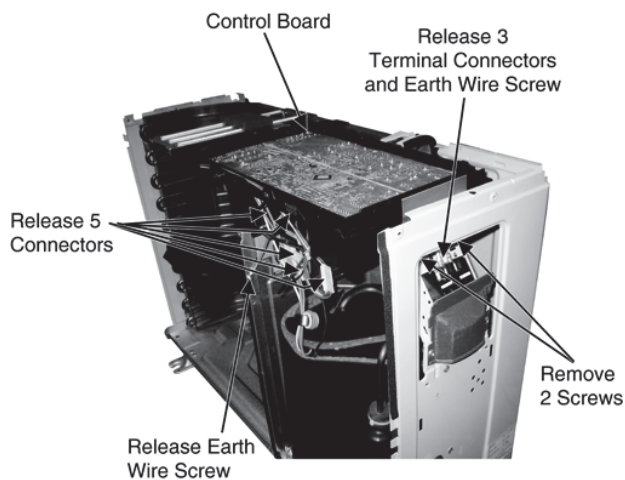


Fig. 4

Remove the Terminal Cover and 3 Terminal Compressor

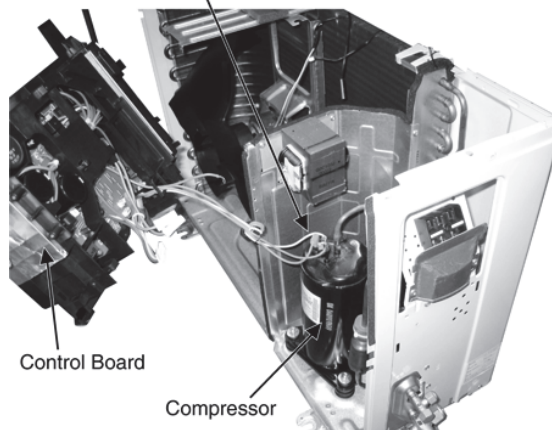


Fig. 5

Electronic Controller Control Board

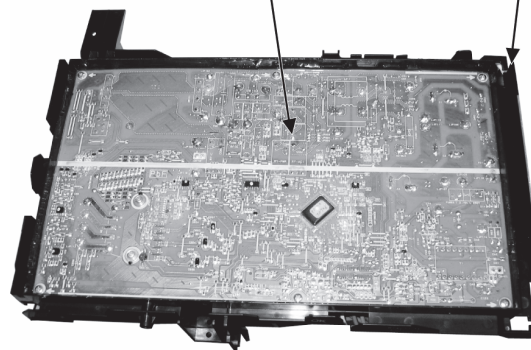


Fig. 6

## 16.2.2 CU-RE12QKE CU-RE15QKE

**⚠ Caution!** When handling electronic controller, be careful of electrostatic discharge.

1. Remove the 5 screws of the Top Panel.

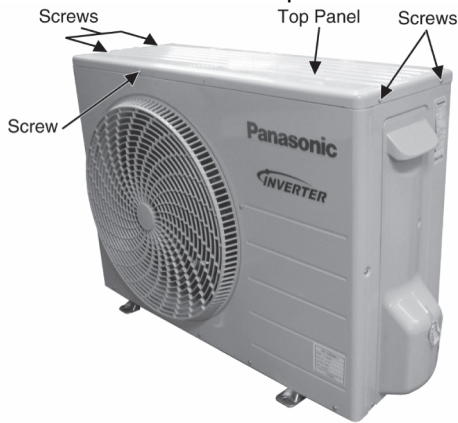


Fig. 1

2. Remove the 8 screws of the Front Panel.

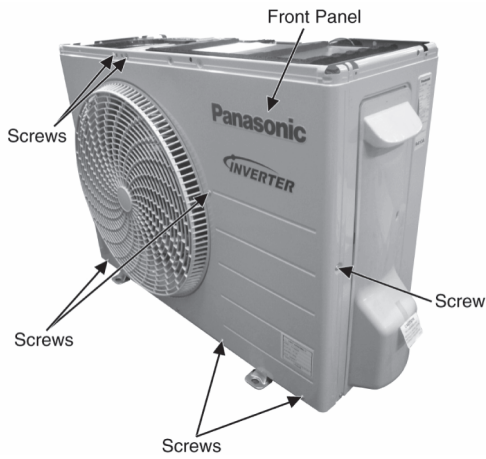


Fig. 2

3. Remove the screw of the Terminal Board Cover.  
4. Remove the Top Cover of the Control Board by 4 hooks.

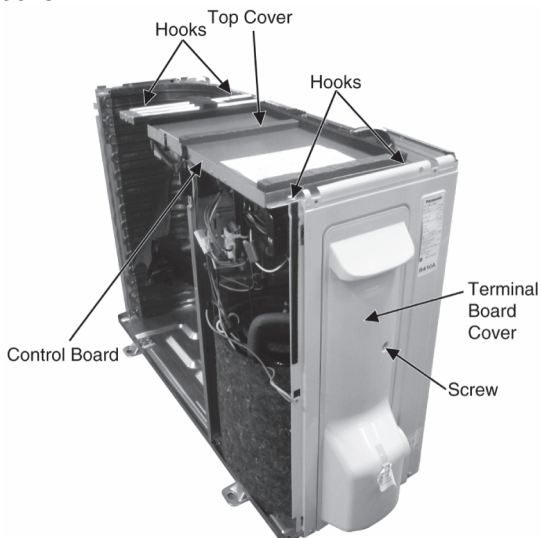


Fig. 3

5. Remove the Control Board as follows:

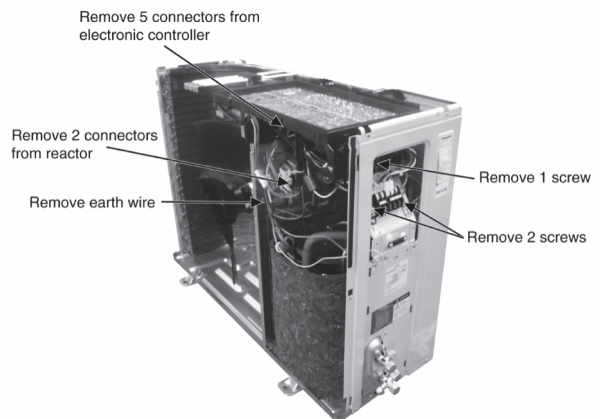


Fig. 4

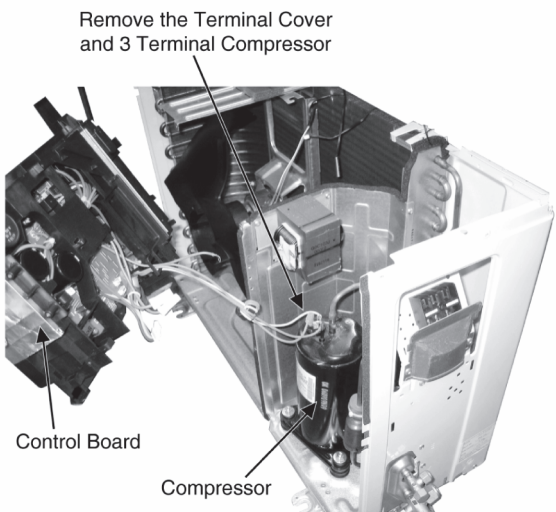


Fig. 5

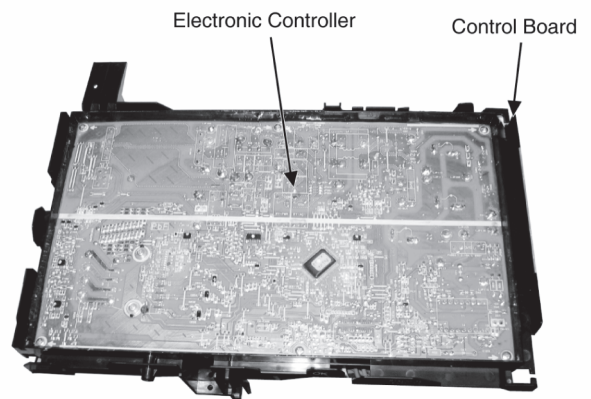


Fig. 6

## 17. Technical Data

Technical data provided are based on the air conditioner running under free frequency.

### 17.1 Cool Mode Performance Data

Unit setting: Standard piping length, Hi Fan, Cool mode at 16°C

Voltage: 230V

#### 17.1.1 CS-RE9QKE/CU-RE9QKE

Indoor (°C)		Outdoor DB (°C)																				
DB	WB	-10			-7			0			5			16			25			35		
		TC	SHC	IP	TC	SHC	IP	TC	SHC	IP	TC	SHC	IP	TC	SHC	IP	TC	SHC	IP	TC	SHC	IP
27	19.0	2662	2491	367	2591	2425	410	2638	2503	370	2608	2474	398	2800	2488	296	2629	2436	398	2500	2457	525
	22.0	2813	1771	390	2968	1820	313	2819	1789	380	2947	1841	323	2891	1778	295	2869	1711	381	2529	1620	516
23	15.7	2491	2466	350	2440	2415	392	2398	2374	388	2630	2604	355	2483	2458	332	2381	2357	409	2189	2167	532
	18.4	2620	1764	359	2539	1736	404	2528	1727	390	2585	1760	374	2626	1760	320	2617	1725	398	2245	1673	525
20	13.3	2367	2343	379	2264	2241	413	2274	2251	402	2018	1997	314	1626	1610	147	1840	1822	309	2011	1991	534
	15.8	2439	1754	386	2393	1733	381	2436	1734	386	2124	1584	297	2110	1551	282	2330	1688	407	2044	1605	529

(Dry bulb value based on 46% humidity)

#### 17.1.2 CS-RE12QKE/CU-RE12QKE

Indoor (°C)		Outdoor DB (°C)																				
DB	WB	-10			-7			0			5			16			25			35		
		TC	SHC	IP	TC	SHC	IP	TC	SHC	IP	TC	SHC	IP	TC	SHC	IP	TC	SHC	IP	TC	SHC	IP
27	19.0	3218	2719	666	3360	2783	608	3472	2829	546	3455	2818	607	4076	3115	664	3721	2956	818	3500	2948	1000
	22.0	3691	2223	582	3536	2123	657	3802	2222	570	3538	2123	638	4397	2478	667	4047	2339	827	3669	1750	1013
23	15.7	2901	2619	656	2926	2657	657	2869	2601	656	3005	2772	580	3558	3064	660	3248	2896	803	2908	2746	975
	18.4	3243	2112	601	3107	2059	662	3362	2177	571	3248	2111	605	3883	2418	661	3571	2254	812	3201	2114	993
20	13.3	2650	2539	627	2520	2456	692	2589	2492	669	2576	2438	675	2692	2557	406	2737	2561	625	2639	2535	893
	15.8	2643	1904	724	2805	1969	656	2724	1930	696	3039	2079	579	3597	2359	658	3280	2192	802	2948	1127	973

(Dry bulb value based on 46% humidity)

#### 17.1.3 CS-RE15QKE/CU-RE15QKE

Indoor (°C)		Outdoor DB (°C)																				
DB	WB	-10			-7			0			5			16			25			35		
		TC	SHC	IP	TC	SHC	IP	TC	SHC	IP	TC	SHC	IP	TC	SHC	IP	TC	SHC	IP	TC	SHC	IP
27	19.0	3861	3113	666	4032	3186	608	4167	3238	546	4145	3226	607	4892	3566	664	4466	3384	818	4200	3375	1000
	22.0	4430	2545	582	4243	2430	657	4562	2543	570	4245	2430	638	5276	2837	667	4856	2678	827	4403	2003	1013
23	15.7	3481	2998	656	3511	3042	657	3443	2978	656	3606	3174	580	4269	3507	660	3898	3315	803	3489	3144	975
	18.4	3891	2417	601	3729	2357	662	4034	2492	571	3897	2417	605	4659	2768	661	4285	2580	812	3841	2420	993
20	13.3	3180	2906	627	3025	2812	692	3107	2853	669	3091	2790	675	3230	2927	406	3284	2931	625	3167	2902	893
	15.8	3172	2179	724	3366	2254	656	3268	2209	696	3647	2380	579	4316	2700	658	3936	2509	802	3538	1290	973

(Dry bulb value based on 46% humidity)

TC - Total Cooling Capacity (W)  
 SHC - Sensible Heat Capacity (W)  
 IP - Input Power (W)

## 17.2 Heat Mode Performance Data

Unit setting: Standard piping length, Hi Fan, Heat mode at 30°C  
Voltage: 230V

### 17.2.1 CS-RE9QKE/CU-RE9QKE

Indoor (°C)	Outdoor WB (°C)									
	-15		-7		2		7		12	
	TC	IP	TC	IP	TC	IP	TC	IP	TC	IP
24	2052	946	2525	1084	2887	1020	3313	806	3598	830
20	2162	933	2700	1080	2970	1000	3300	800	3803	812
16	1745	910	2774	1069	3213	1008	3542	821	3710	798

### 17.2.2 CS-RE12QKE/CU-RE12QKE

Indoor (°C)	Outdoor WB (°C)									
	-15		-7		2		7		12	
	TC	IP	TC	IP	TC	IP	TC	IP	TC	IP
24	2379	1099	3290	1434	3647	1314	3702	1110	4074	1183
20	2449	1059	3300	1380	3700	1260	4000	1050	4237	1135
16	2287	1012	3329	1319	3740	1207	3894	993	4350	1075

### 17.2.3 CS-RE15QKE/CU-RE15QKE

Indoor (°C)	Outdoor WB (°C)									
	-15		-7		2		7		12	
	TC	IP	TC	IP	TC	IP	TC	IP	TC	IP
24	2992	1702	3888	1891	4616	1888	4871	1427	5361	1521
20	3080	1640	3900	1820	4930	1810	5000	1350	5575	1459
16	2876	1567	3934	1740	4734	1733	5124	1276	5724	1382

TC - Total Cooling Capacity (W)  
SHC - Sensible Heat Capacity (W)  
IP - Input Power (W)



## 18. Service Data

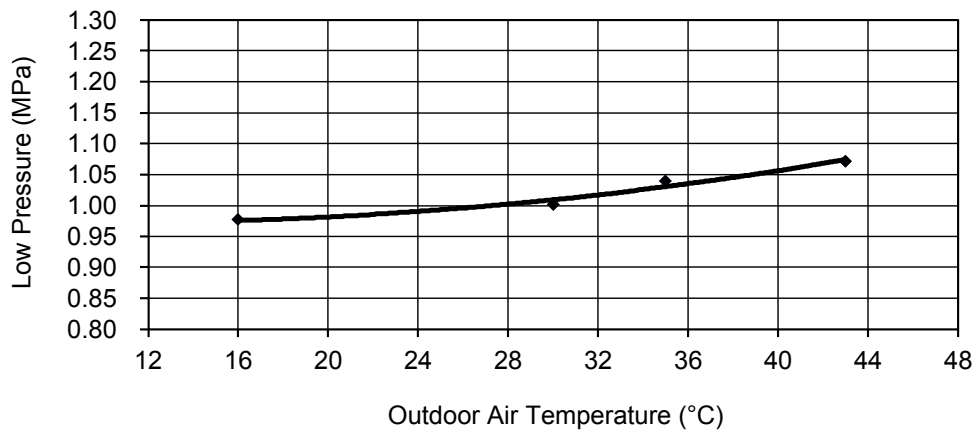
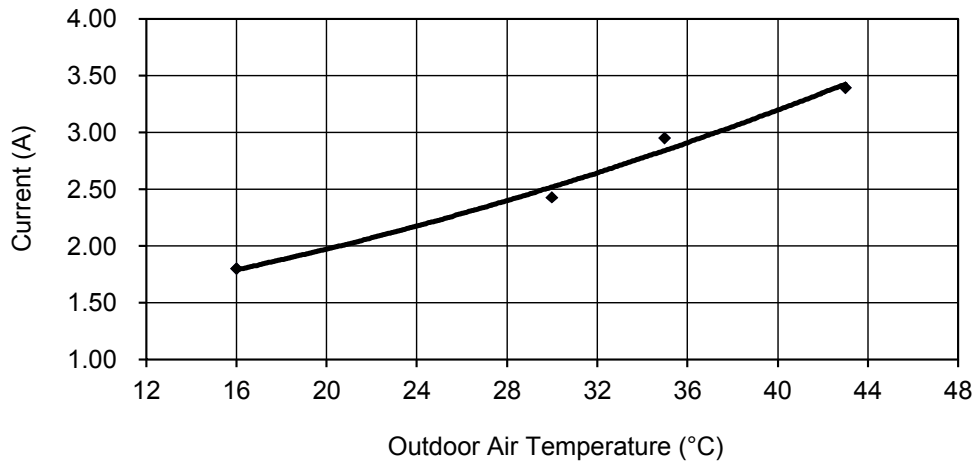
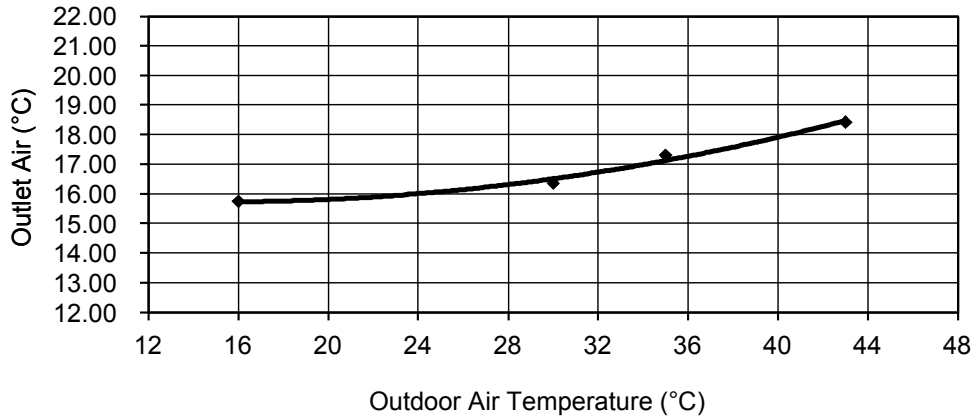
Service data provided are based on the air conditioner running under rated frequency during forced cooling / forced heating mode.

### 18.1 Cool Mode Outdoor Air Temperature Characteristic

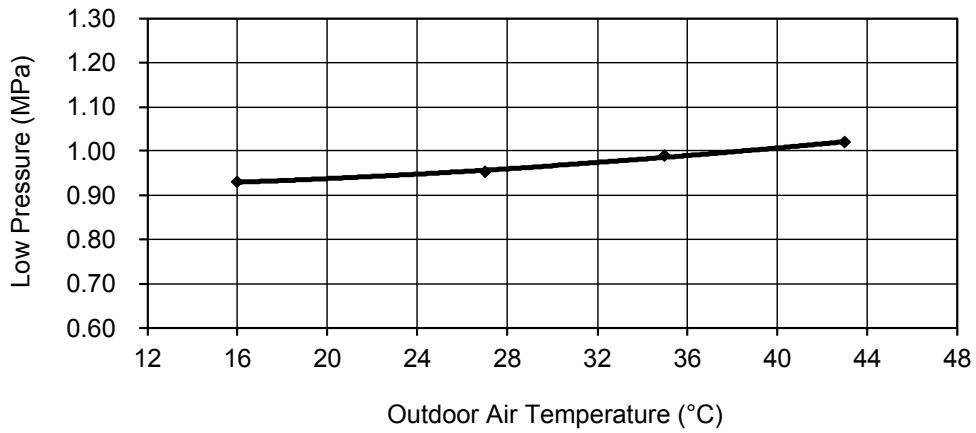
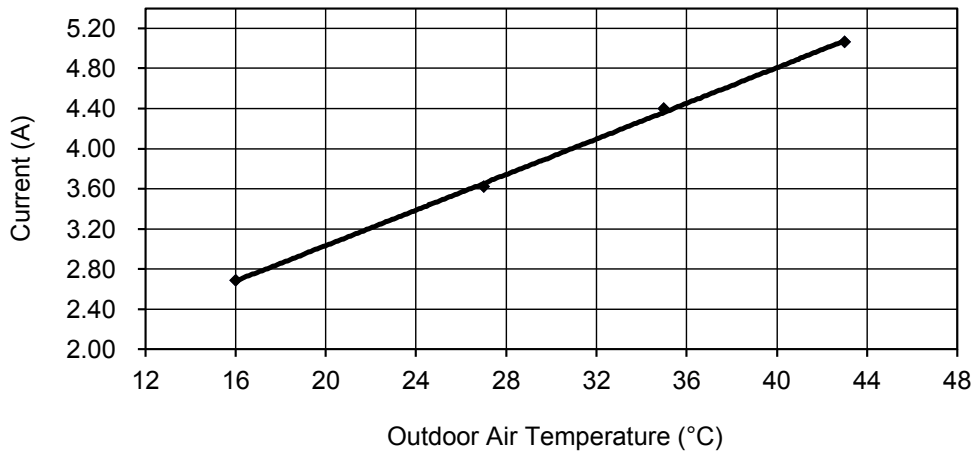
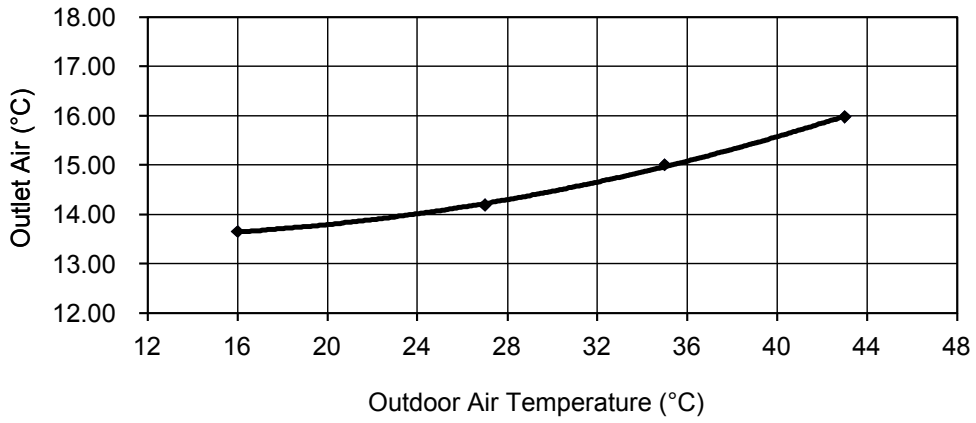
Condition

- Indoor room temperature: 27°C DryBulb/19°C Wet Bulb
- Unit setting: Standard piping length, forced cooling at 16°C, Hi fan
- Compressor frequency: Rated for cooling operation
- Piping length: 5m
- Voltage: 230V

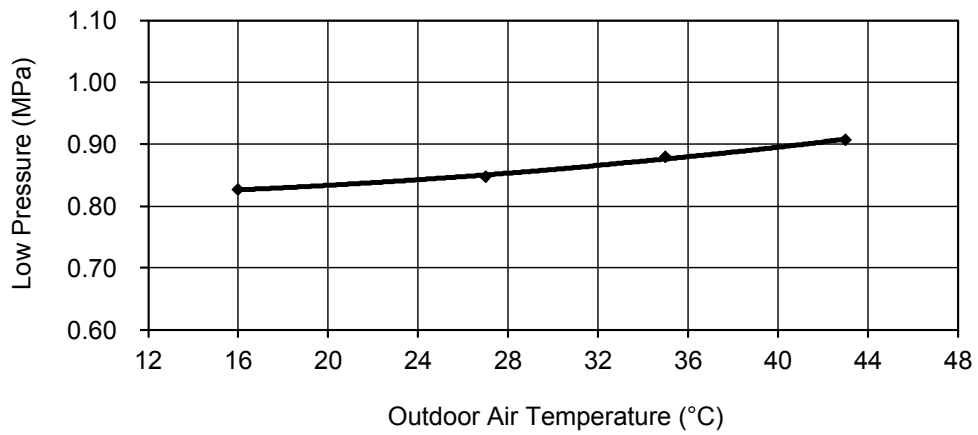
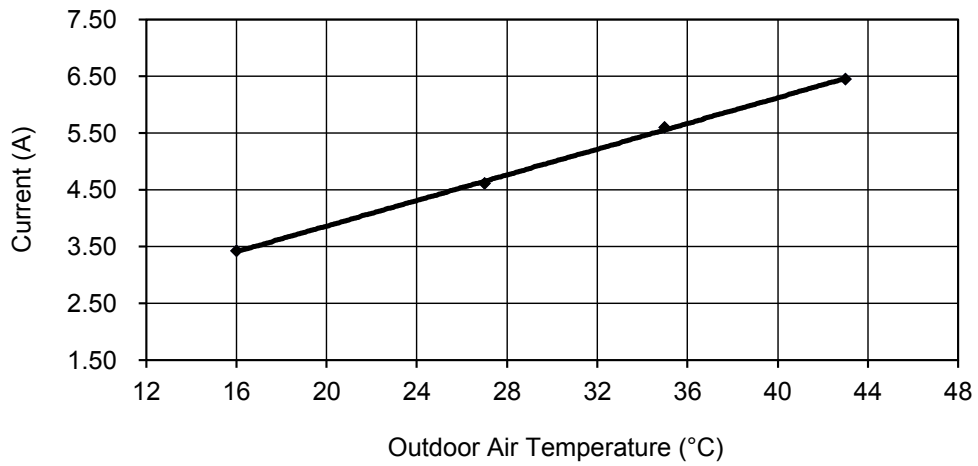
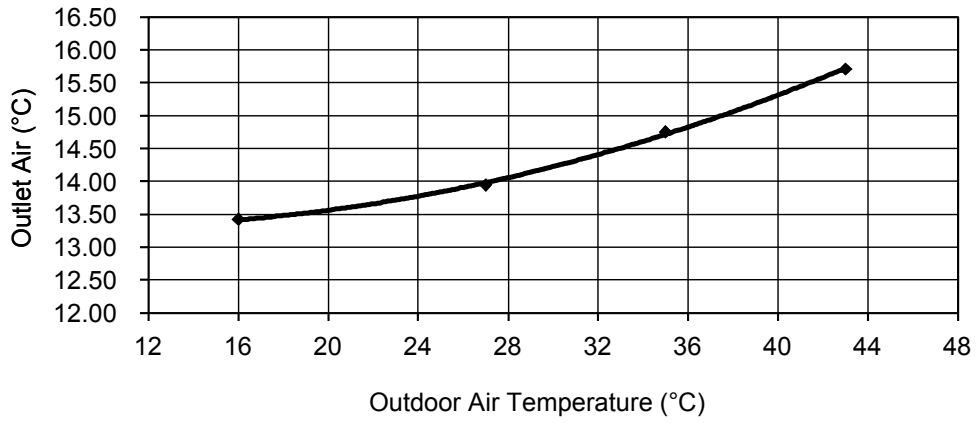
#### 18.1.1 CS/CU-RE9QKE



### 18.1.2 CS/CU-RE12QKE



### 18.1.3 CS/CU-RE15QKE

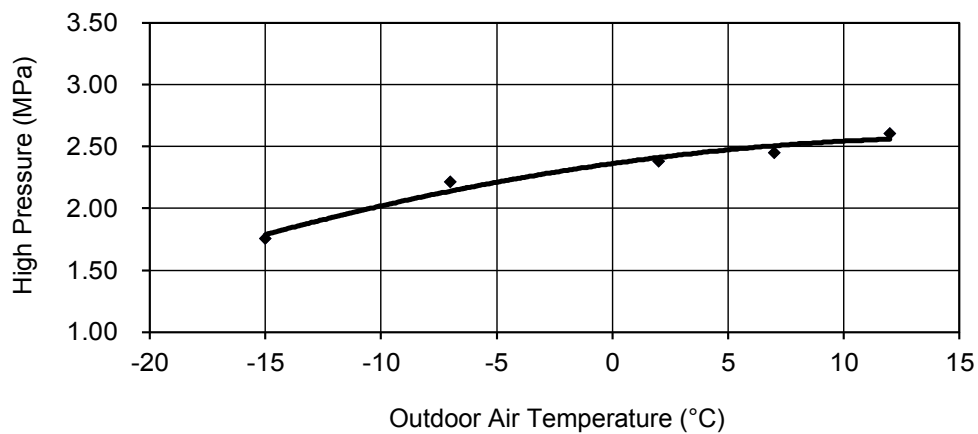
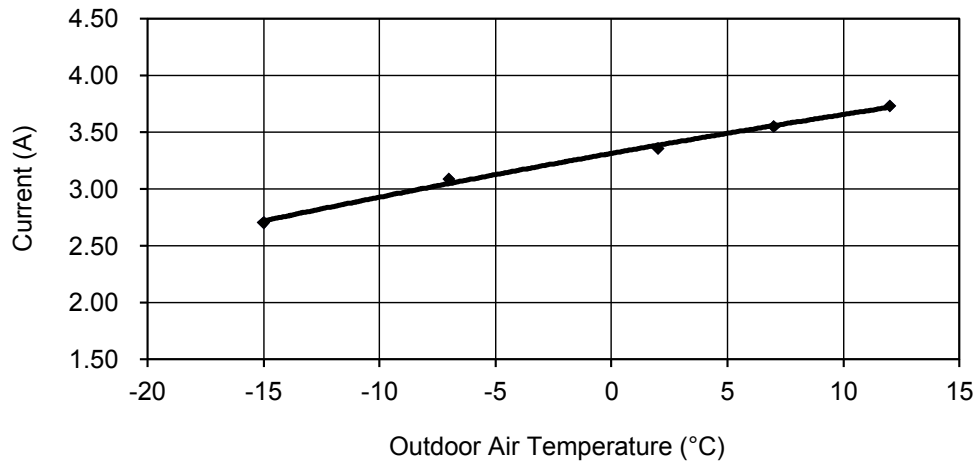
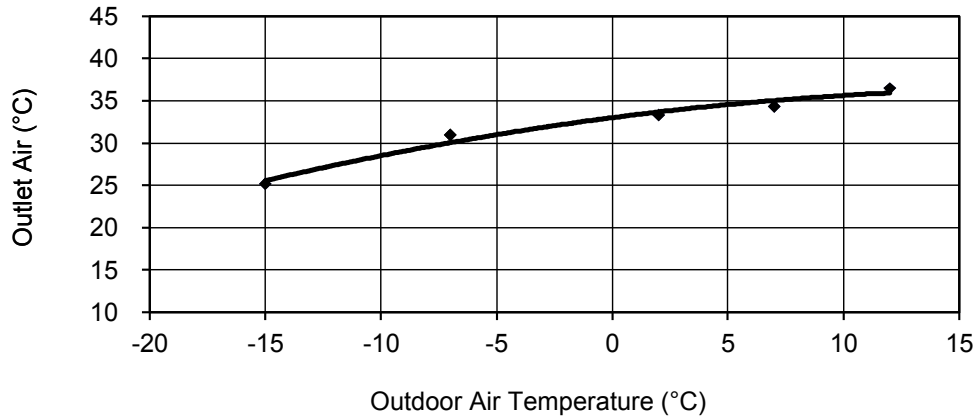


## 18.2 Heat Mode Outdoor Air Temperature Characteristic

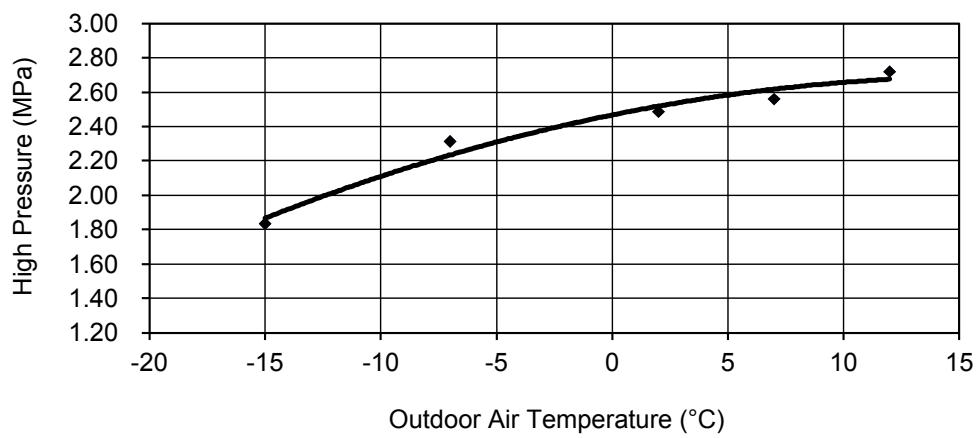
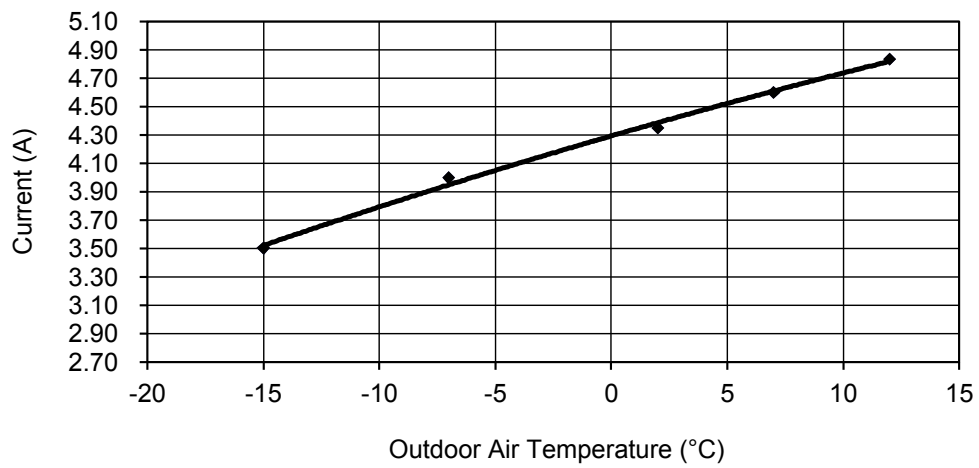
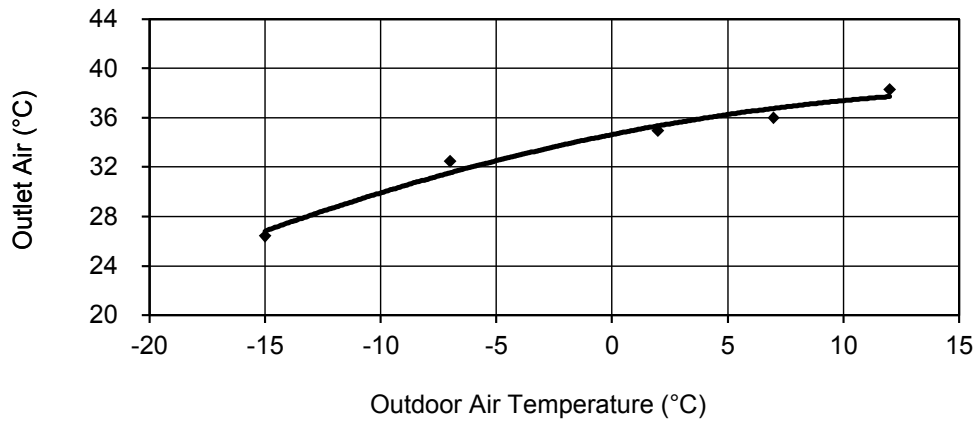
### Condition

- Indoor room temperature: 20°C DryBulb/ -°C Wet Bulb
- Unit setting: Standard piping length, forced heating at 30°C, Hi fan
- Compressor frequency: Rated for Heating operation
- Piping length: 5m
- Voltage: 230V

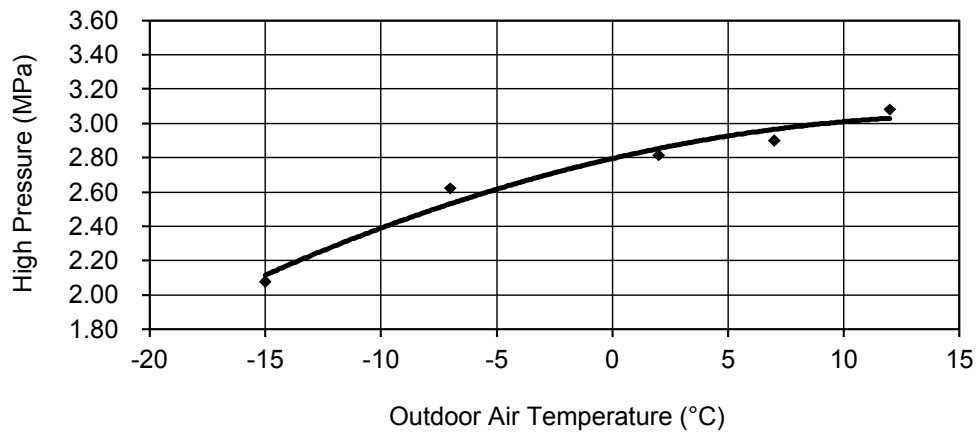
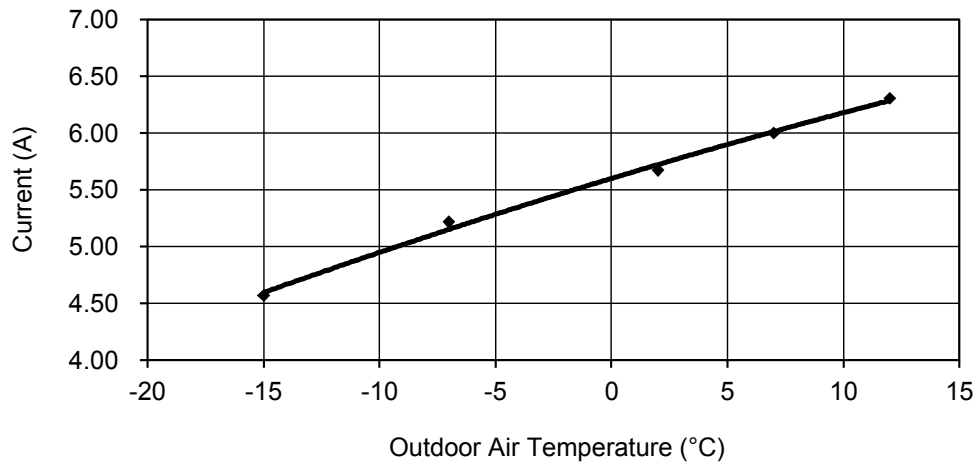
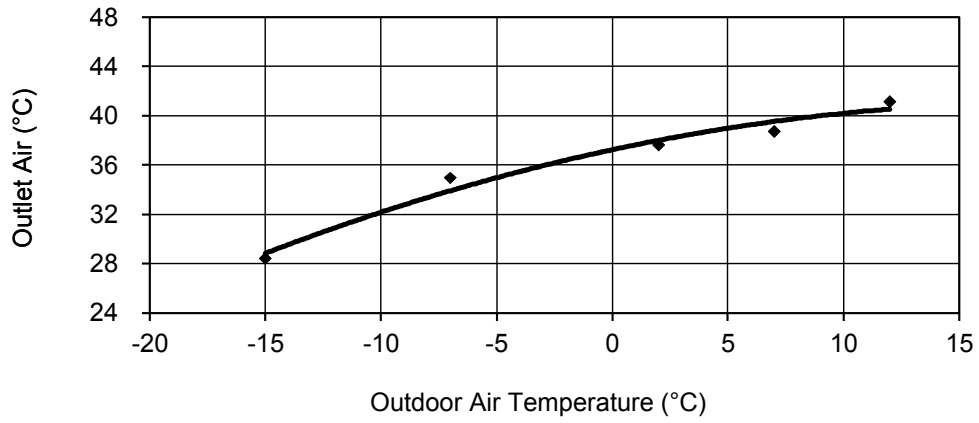
### 18.2.1 CS/CU-RE9QKE



## 18.2.2 CS/CU-RE12QKE



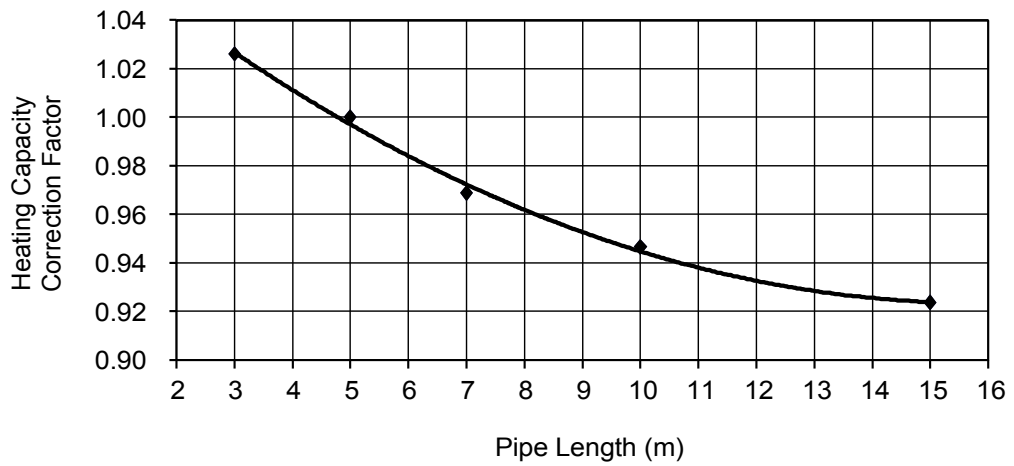
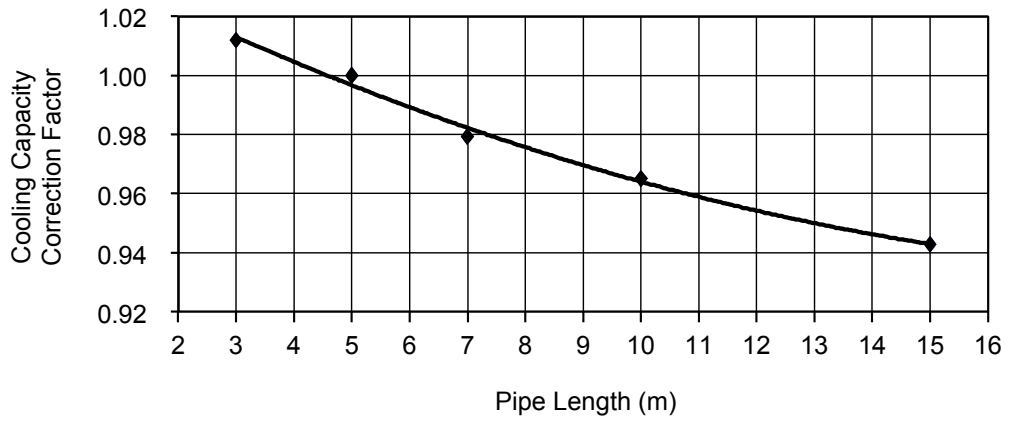
### 18.2.3 CS/CU-RE15QKE



### 18.3 Piping Length Correction Factor

The characteristic of the unit has to be corrected in accordance with the piping length.

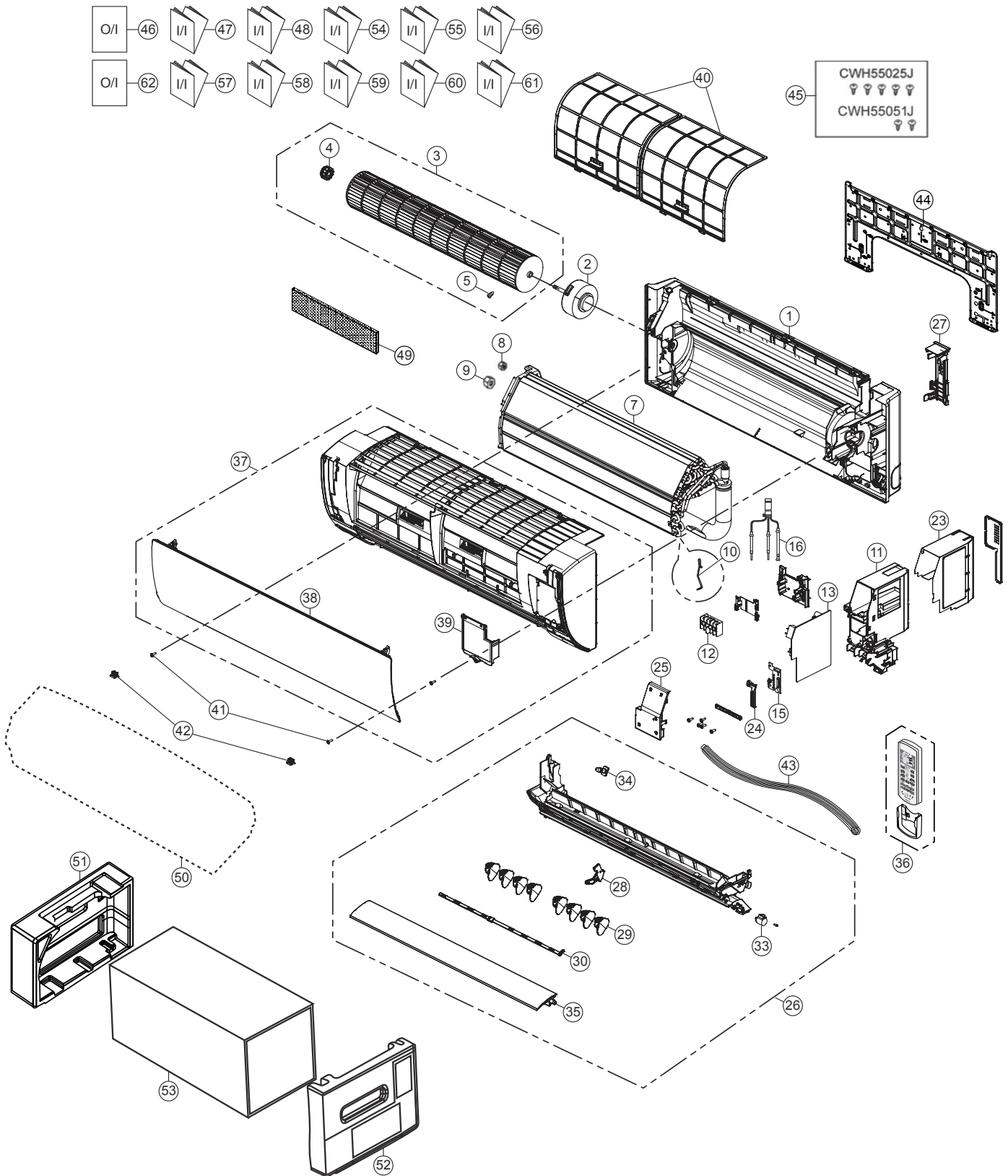
#### 18.3.1 CS/CU-RE9QKE CS/CU-RE12QKE CS/CU-RE15QKE



Note: The graphs show the factor after added right amount of additional refrigerant.

# 19. Exploded View and Replacement Parts List

## 19.1 Indoor Unit



**Note**  
 The above exploded view is for the purpose of parts disassembly and replacement.  
 The non-numbered parts are not kept as standard service parts.



SAFETY	REF. NO.	PART NAME & DESCRIPTION	QTY.	CS-RE9QKE	CS-RE12QKE	CS-RE15QKE	REMARK
	1	CHASSIS COMPLETE	1	CWD50C1653	←	←	
⚠	2	FAN MOTOR	1	L6CBYYL0037	←	←	O
	3	CROSS-FLOW FAN COMPLETE	1	CWH02C1076	←	←	
	4	BEARING ASSY	1	CWH64K007	←	←	
	5	SCREW - CROSS-FLOW FAN	1	CWH551146	←	←	
	7	EVAPORATOR	1	CWB30C4691	CWB30C4659	CWB30C4660	
	8	FLARE NUT (LIQUID)	1	CWT251030	←	←	
	9	FLARE NUT (GAS)	1	CWT251031	←	CWT251032	
	10	CLIP FOR SENSOR	1	CWH32143	←	←	
	11	CONTROL BOARD CASING	1	CWH102449	←	←	
⚠	12	TERMINAL BOARD COMPLETE	1	CWA28C2364	←	←	O
⚠	13	ELECTRONIC CONTROLLER - MAIN	1	CWA73C8113	CWA73C8114	CWA73C8115	O
⚠	15	ELECTRONIC CONTROLLER - INDICATOR	1	CWA746716	←	←	O
	16	SENSOR COMPLETE	1	CWA50C2663	←	←	O
	23	CONTROL BOARD TOP COVER	1	CWH131467	←	←	
	24	INDICATOR HOLDER	1	CWD933406	←	←	
	25	CONTROL BOARD FRONT COVER CO.	1	CWH13C1247	←	←	
	26	DISCHARGE GRILLE COMPLETE	1	CWE20C3236	←	←	
	27	BACK COVER CHASSIS	1	CWD933233	←	←	
	28	FULCRUM	1	CWH621131	←	←	
	29	VERTICAL VANE	8	CWE241374	←	←	
	30	CONNECTING BAR	2	CWE261251	←	←	
⚠	33	AIR SWING MOTOR	1	CWA981264	←	←	O
	34	CAP - DRAIN TRAY	1	CWH521259	←	←	
	35	HORIZONTAL VANE COMPLETE	1	CWE24C1385	←	←	
	36	REMOTE CONTROL COMPLETE	1	CWA75C4455	←	←	O
	37	FRONT GRILLE COMPLETE	1	CWE11C5832	←	←	O
	38	INTAKE GRILLE COMPLETE	1	CWE22C1896	←	←	
	39	GRILLE DOOR COMPLETE	1	CWE14C1090	←	←	
	40	AIR FILTER	2	CWD001279	←	←	O
	41	SCREW - FRONT GRILLE	2	XTT4+16CFJ	←	←	
	42	CAP - FRONT GRILLE	2	CWH521227	←	←	
	43	DRAIN HOSE	1	CWH851173	←	←	
	44	INSTALLATION PLATE	1	CWH361134	←	←	
	45	BAG COMPLETE - INSTALLATION SCREW	1	CWH82C1705	←	←	
	46	OPERATING INSTRUCTION	1	CWF569459	←	←	
	47	INSTALLATION INSTRUCTION	1	CWF616271	←	←	
	48	INSTALLATION INSTRUCTION	1	CWF616272	←	←	
	49	AIR PURIFYING FILTER	1	CWD00C1280	←	←	O
	50	BAG	1	CWG861497	←	←	
	51	SHOCK ABSORBER (L)	1	CWG713386	←	←	
	52	SHOCK ABSORBER (R)	1	CWG713387	←	←	
	53	C.C.CASE	1	CWG567355	←	←	
	54	INSTALLATION INSTRUCTION	1	CWF616273	←	←	
	55	INSTALLATION INSTRUCTION	1	CWF616274	←	←	
	56	INSTALLATION INSTRUCTION	1	CWF616275	←	←	
	57	INSTALLATION INSTRUCTION	1	CWF616276	←	←	
	58	INSTALLATION INSTRUCTION	1	CWF616277	←	←	

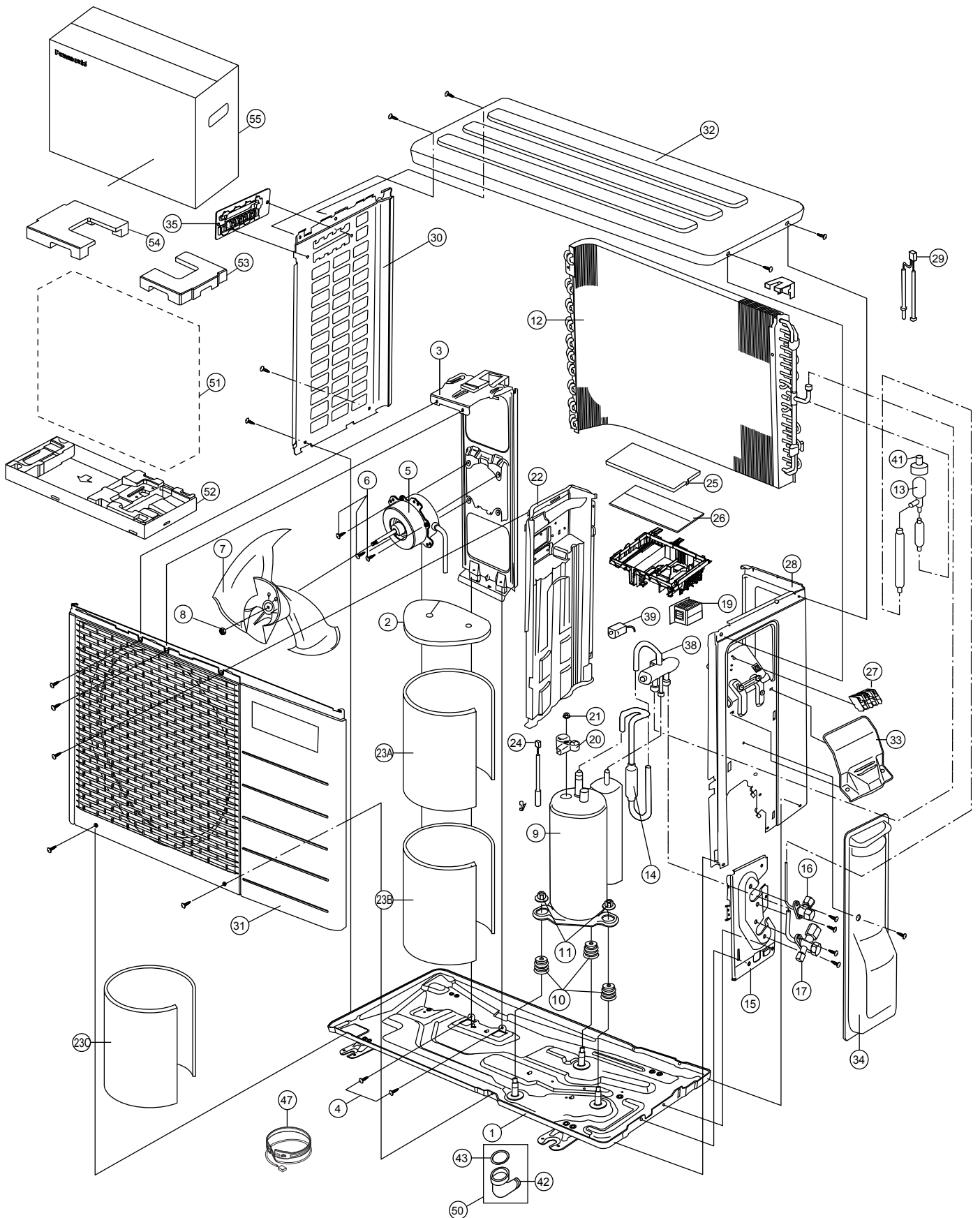
SAFETY	REF. NO.	PART NAME & DESCRIPTION	QTY.	CS-RE9QKE	CS-RE12QKE	CS-RE15QKE	REMARK
	59	INSTALLATION INSTRUCTION	1	CWF616278	←	←	
	60	INSTALLATION INSTRUCTION	1	CWF616279	←	←	
	61	INSTALLATION INSTRUCTION	1	CWF616280	←	←	
	62	OPERATING INSTRUCTION	1	CWF569460	←	←	

(NOTE)

- All parts are supplied from PAPAMY, Malaysia (Vendor Code: 00029488).
- “O” marked parts are recommended to be kept in stock.

## 19.2 Outdoor Unit

### 19.2.1 CU-RE9QKE



#### Note

The above exploded view is for the purpose of parts disassembly and replacement. The non-numbered parts are not kept as standard service parts.

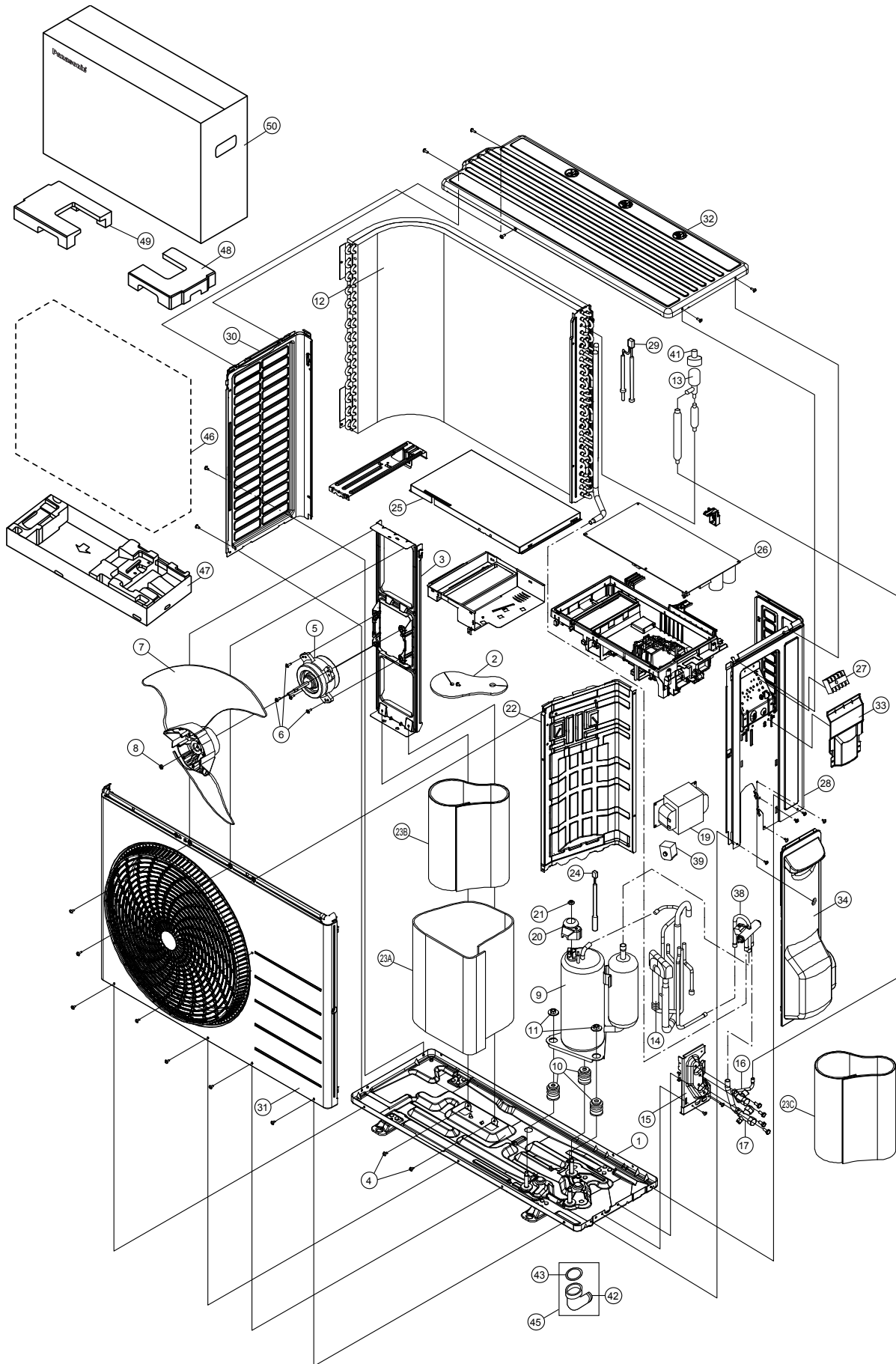
SAFETY	REF. NO.	PART NAME & DESCRIPTION	QTY.	CU-RE9QKE	REMARK
	1	CHASSIS ASSY	1	CWD50K2073	
	2	SOUND PROOF MATERIAL	1	CWG302314	
	3	FAN MOTOR BRACKET	1	CWD541089	
	4	SCREW - FAN MOTOR BRACKET	2	CWH551217	
⚠	5	FAN MOTOR	1	ARS6411AC	O
	6	SCREW - FAN MOTOR MOUNT	4	CWH55252J	
	7	PROPELLER FAN ASSY	1	CWH03K1010	
	8	NUT - PROPELLER FAN	1	CWH56053J	
⚠	9	COMPRESSOR	1	5RS092XCD21	O
	10	ANTI - VIBRATION BUSHING	3	CWH50077	
	11	NUT - COMPRESSOR MOUNT	3	CWH561096	
	12	CONDENSER	1	CWB32C4026	
	13	EXPANSION VALVE	1	CWB051055	O
	14	DISCHARGE MUFFLER	1	CWB121010	O
	15	HOLDER COUPLING	1	CWH351233	
	16	2-WAYS VALVE (LIQUID)	1	CWB021589	O
	17	3-WAY VALVE (GAS)	1	CWB011374	O
⚠	19	REACTOR	1	G0C103J00013	O
	20	TERMINAL COVER	1	CWH171039A	
	21	NUT - TERMINAL COVER	1	CWH7080300J	
	22	SOUND PROOF BOARD	1	CWH151172	
	23A	SOUND PROOF MATERIAL	1	CWG302315	
	23B	SOUND PROOF MATERIAL	1	CWG302316	
	23C	SOUND PROOF MATERIAL	1	CWG302317	
	24	SENSOR CO - COMP TEMP	1	CWA50C2205	O
	25	CONTROL BOARD COVER - TOP	1	CWH131264	
⚠	26	ELECTRONIC CONTROLLER - MAIN	1	CWA73C8415R	O
⚠	27	TERMINAL BOARD ASSY	1	CWA28K1036J	O
	28	CABINET SIDE PLATE CO. (RIGHT)	1	CWE04C1492	
	29	SENSOR CO - AIR TEMP AND PIPE TEMP	1	CWA50C3080	O
	30	CABINET SIDE PLATE	1	CWE041031A	
	31	CABINET FRONT PLATE CO.	1	CWE06C1136	
	32	CABINET TOP PLATE	1	CWE031014A	
	33	PLATE - C. B. COVER TERMINAL	1	CWH131301	
	34	CONTROL BOARD COVER CO.	1	CWH13C1211	
	35	HANDLE	1	CWE161010	
	38	4-WAYS VALVE	1	CWB001063	O
⚠	39	V-COIL COMPLETE (4-WAY VALVE)	1	CWA43C2431	O
⚠	41	V-COIL COMPLETE (EXP.VALVE)	1	CWA43C2257	O
	42	FLEXIBLE PIPE (L-TUBE)	1	CWH5850080	
	43	PACKING - L.TUBE	1	CWB81012	
	50	ACCESSORY CO. (DRAIN ELBOW)	1	CWG87C900	
	51	BAG	1	CWG861078	
	52	BASE BOARD - COMPLETE	1	CWG62C1095	
	53	SHOCK ABSORBER (RIGHT)	1	CWG712969	

SAFETY	REF. NO.	PART NAME & DESCRIPTION	QTY.	CU-RE9QKE	REMARK
	54	SHOCK ABSORBER (LEFT)	1	CWG712970	
	55	C.C.CASE	1	CWG568357	

(NOTE)

- All parts are supplied from PAPAMY, Malaysia (Vendor Code: 00029488).
- "O" marked parts are recommended to be kept in stock.

19.2.2 CU-RE12QKE CU-RE15QKE



Note  
 The above exploded view is for the purpose of parts disassembly and replacement.  
 The non-numbered parts are not kept as standard service parts.

SAFETY	REF. NO.	PART NAME & DESCRIPTION	QTY.	CU-RE12QKE	CU-RE15QKE	REMARK
	1	CHASSIS ASSY	1	CWD52K1277	←	
	2	SOUND PROOF MATERIAL	1	CWG302719	←	
	3	FAN MOTOR BRACKET	1	CWD541167	←	
	4	SCREW - FAN MOTOR BRACKET	2	CWH551217	←	
⚠	5	FAN MOTOR	1	ARS6411AC	←	o
	6	SCREW - FAN MOTOR MOUNT	4	CWH55252J	←	
	7	PROPELLER FAN ASSY	1	CWH03K1066	←	
	8	NUT - PROPELLER FAN	1	CWH56053J	←	
⚠	9	COMPRESSOR	1	5RS102XNA21	←	o
	10	ANTI - VIBRATION BUSHING	3	CWH50077	←	
	11	NUT - COMPRESSOR MOUNT	3	CWH561096	←	
	12	CONDENSER	1	CWB32C3680	←	
	13	EXPANSION VALVE	1	CWB051055	←	o
	14	DISCHARGE MUFFLER (EXP VALVE)	1	CWB121010	←	o
	15	HOLDER COUPLING	1	CWH351233	←	
	16	2-WAYS VALVE (LIQUID)	1	CWB021180J	←	o
	17	3-WAY VALVE (GAS)	1	CWB011374	CWB011344	o
⚠	19	REACTOR	1	G0C103J00013	←	o
	20	TERMINAL COVER	1	CWH171039A	←	
	21	NUT - TERMINAL COVER	1	CWH7080300J	←	
	22	SOUND PROOF BOARD	1	CWH151274	←	
	23A	SOUND PROOF MATERIAL	1	CWG302317	←	
	23B	SOUND PROOF MATERIAL	1	CWG302701	←	
	23C	SOUND PROOF MATERIAL	1	CWG302726	←	
	24	SENSOR CO-COMP TEMP	1	CWA50C2894	←	o
	25	CONTROL BOARD COVER - TOP	1	CWH131473	←	
⚠	26	ELECTRONIC CONTROLLER - MAIN	1	CWA73C8453R	CWA73C8454R	o
⚠	27	TERMINAL BOARD ASSY	1	CWA28K1036J	←	o
	28	CABINET SIDE PLATE CO. (RIGHT)	1	CWE04C1493	←	
	29	SENSOR CO - AIR TEMP AND PIPE TEMP	1	CWA50C3078	←	o
	30	CABINET SIDE PLATE (LEFT)	1	CWE041617A	←	
	31	CABINET FRONT PLATE CO.	1	CWE06C1360	←	
	32	CABINET TOP PLATE	1	CWE031148A	←	
	33	PLATE - C. B. COVER TERMINAL	1	CWH131470A	←	
	34	CONTROL BOARD COVER CO.	1	CWH13C1253	←	
	38	4-WAYS VALVE	1	CWB001063	←	o
⚠	39	V-COIL COMPLETE (4-WAY VALVE)	1	CWA43C2447	←	o
⚠	41	V-COIL COMPLETE (EXP.VALVE)	1	CWA43C2257	←	o
	42	FLEXIBLE PIPE (L-TUBE)	1	CWH5850080	←	
	43	PACKING - L.TUBE	1	CWB81012	←	
	45	ACCESSORY CO. (DRAIN ELBOW)	1	CWG87C900	←	
	46	BAG	1	CWG861078	←	
	47	BASE BOARD - COMPLETE	1	CWG62C1144	←	
	48	SHOCK ABSORBER (RIGHT)	1	CWG713415	←	

SAFETY	REF. NO.	PART NAME & DESCRIPTION	QTY.	CU-RE12QKE	CU-RE15QKE	REMARK
	49	SHOCK ABSORBER (LEFT)	1	CWG713416	←	
	50	C.C.CASE	1	CWG566848	←	

(NOTE)

- All parts are supplied from PAPAMY, Malaysia (Vendor Code: 00029488).
- "O" marked parts are recommended to be kept in stock.